

DANIELS WA27RF REGULATOR/FILTER

DMC DANIELS
MANUFACTURING
CORPORATION
DATASHEET

SEE OPPOSITE SIDE FOR IMPORTANT INFORMATION CONCERNING
LIMITED WARRANTY, AND LIMITATION OF LIABILITY.

GENERAL SPECIFICATIONS

- * The WA27RF is designed to regulate and filter pressurized air being supplied to a tool. It is recommended that the WA27RF be used with all DMC pneumatic tools.
- * It is not recommended that a lubricator be used with this unit, or any DMC pneumatic tool. This unit is designed to work with DMC pneumatic tools whether the foot press is used or not.
- * All Crimp Tools, Positioning Heads, Bench Mounts, Gages and Foot Valves must be ordered separately by part number.

SIZE

Length: 4" Height: 4" Weight: .76 lb

OPERATING RANGE

0 – 160 PSI (0 – 11 Kg/cm²)
MAX TEMP: 125° F (50° C)

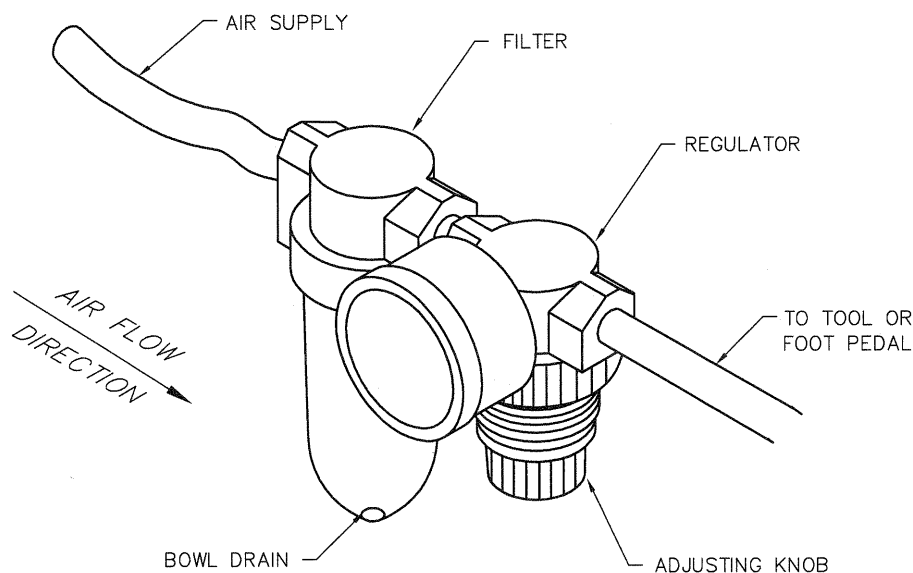
INSTALLATION

The unit should be installed in-line between air source & equipment being regulated. The air supply should be attached to the inlet of the regulator. Note the air flow arrow stamped on the side of the regulator. When the air supply fitting is threaded into the regulator use Teflon[®] thread sealing tape. Attach the hose going to the tool or foot press into the outlet of the filter. Be sure to use Teflon[®] thread sealing tape when attaching the fitting.

OPERATION

The air pressure is adjusted by turning the knob on the bottom of the regulator. The knob must be pulled out for it to be able to be adjusted. Once the desired pressure is achieved push the knob in to lock in the setting.

Periodically, the plastic bowl in the bottom of filter will need to be emptied. To do this, push in the metal stem in the bottom of the bowl. The water will then drain out. The frequency of the need for this will depend upon operating conditions, and the condition of the air supply.



DANIELS MANUFACTURING CORP., 526 THORPE ROAD, ORLANDO, FL 32824, USA, PHONE 407/855-6161, FAX 407/855-6884
COPYRIGHT © 2001 DANIELS MANUFACTURING CORP., USA. WWW.DMCTOOLS.COM E-MAIL: DMC@DMCTOOLS.COM ALL RIGHTS RESERVED

CARE OF REGULATOR/FILTER

There is virtually no maintenance required. However, it is a good practice to keep the regulator/filter unit free of residual debris. Residual debris could get inside the unit and cause damage to internal components.

We also strongly recommend that you:

1. DO NOT immerse the unit in cleaning solution.
2. DO NOT spray oil into the unit to lubricate.
3. DO NOT attempt to disassemble the unit or make repairs.

DANIELS offers complete refurbishing and recalibration services.

DANIELS specially engineers and manufactures complete tool kits to satisfy individual customer requirements, such as total aircraft support, general shop maintenance or production, on board ship and vehicle service, etc.

LIMITATION OF LIABILITY

DANIELS MANUFACTURING CORPORATION IS NOT LIABLE FOR CONSEQUENTIAL OR SPECIAL DAMAGES OF ANY NATURE OR KIND RESULTING FROM THE USE, OR MISUSE, OF ANY OF ITS PRODUCTS. OWNERS AND USERS OF DMC PRODUCTS ASSUME FULL RESPONSIBILITY FOR INSTRUCTING THEIR EMPLOYEES IN THE PROPER AND SAFE USE OF SUCH PRODUCTS.

LIMITED WARRANTY

DMC (Daniels Manufacturing Corporation) warrants each new product sold by it to be free from defects in material and workmanship under normal use and service. DMC's obligation under this warranty is limited to the free correction or, at DMC's option, the refund of the purchase price of any such product which proves defective in normal service within ninety (90) days after delivery to the first user, provided that the product is returned to DMC with all transportation charges prepaid and which shall appear to DMC's satisfaction, after DMC's inspection, to have been defective in material or workmanship, it being understood that DMC products are not consumer products. This warranty shall not cover any damage to any product which, in the opinion of DMC, was caused by normal wear, misuse, improper operation, tampering, neglect or accident. This warranty is in lieu of all other warranties express or implied. No warranty, express or implied, is made or authorized to be made or assumed with respect to products of Daniels Manufacturing Corporation other than those herein set forth.

X-ON Electronics

Largest Supplier of Electrical and Electronic Components

Click to view similar products for [Crimpers / Crimping Tools](#) category:

Click to view products by [DMC](#) manufacturer:

Other Similar products are found below :

[010-0096](#) [M225201-06](#) [M225202-37](#) [6-1579015-5](#) [CT150-6-RH07](#) [622-6441LF](#) [M322](#) [6-304052-1](#) [63456-0054](#) [63484-3701](#) [63800-8355](#)
[63819-1875](#) [63819-2875](#) [63819-4475](#) [63823-3475](#) [63827-5375](#) [64001-0975](#) [64001-4175](#) [64005-0175](#) [662903-2](#) [690602-6](#) [7-1579001-9](#) [7-](#)
[23471-1](#) [762637-1](#) [808714-1](#) [811242-5](#) [999-50-020083](#) [1-21002-3](#) [1-21002-7](#) [12085270](#) [1-21002-6](#) [1-21113-6](#) [1-22548-4](#) [125442-1](#)
[DCE.91.073.BVC](#) [DCE.91.090.3MVM](#) [DCE.91.130.5MVU](#) [DCE.91.202.BVCM](#) [1338300-1](#) [1-354003-0](#) [1338301-1](#) [DF62/RE-MD](#) [142321](#)
[1456088-1](#) [1490794-1](#) [1-45804-6](#) [1490357-2](#) [1490357-3](#) [AX100749](#) [1-59619-7](#)