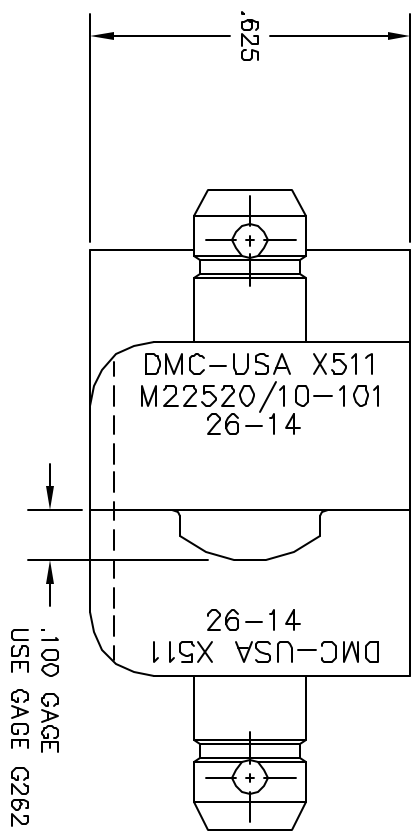
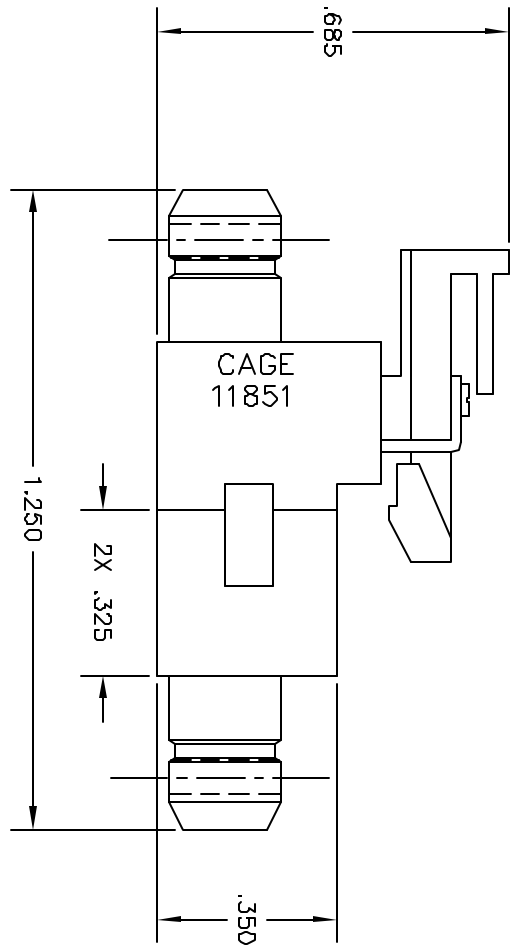


REV	ECAD NUMBER	DESCRIPTION	BY	DATE	APP'D
1		ORIGINAL RELEASE	AM	8/14/98	RSK 8/14/98



UNCONTROLLED DOCUMENT
WILL NOT BE UPDATED

RESTRICTED & CONFIDENTIAL
 DANIEL'S PROPERTY. DANIEL'S
 DRAWINGS ARE NOT TO BE
 REPRODUCED OR USED FOR ANY OTHER PURPOSES
 EXCEPT AS AUTHORIZED IN WRITING
 BY DANIEL'S MANUFACTURING.
 MUST BE RETURNED TO DANIEL'S
 MANUFACTURING CORP. ON COMPLETION
 OF ORDER OR PURCHASE FOR
 WHICH SENT.

ITEM	PART NO.	DATE	QTY.	DESCRIPTION/REMARKS
DMC-USA X511 M22520/10-101 26-14		8/11/98		DANIEL'S MANUFACTURING CORP. ORLANDO, FLORIDA CAGE 11851
DMC-USA X511 26-14		8/11/98		
TITLE: DIE SET ENVELOPE DRAWING (M22520/10-101)				
WHERE USED:				
SIZE	SCALE	END P/N	SHEET	OF
B	4/1	X511-ENV	1	1
POSTING		P/N	REV	
		X511-ENV	1	

DO NOT SCALE DRAWING

X-ON Electronics

Largest Supplier of Electrical and Electronic Components

Click to view similar products for [Crimpers / Crimping Tools](#) category:

Click to view products by [DMC](#) manufacturer:

Other Similar products are found below :

[010-0096](#) [M225201-06](#) [M225202-37](#) [6-1579015-5](#) [CT150-6-RH07](#) [622-6441LF](#) [M322](#) [6-304052-1](#) [63456-0054](#) [63484-3701](#) [63800-8355](#)
[63819-1875](#) [63819-2875](#) [63819-4475](#) [63823-3475](#) [63827-5375](#) [64001-0975](#) [64001-4175](#) [64005-0175](#) [662903-2](#) [690602-6](#) [7-1579001-9](#) [7-](#)
[23471-1](#) [762637-1](#) [808714-1](#) [811242-5](#) [999-50-020083](#) [1-21002-3](#) [1-21002-7](#) [12085270](#) [1-21002-6](#) [1-21113-6](#) [1-22548-4](#) [125442-1](#)
[DCE.91.073.BVC](#) [DCE.91.090.3MVM](#) [DCE.91.130.5MVU](#) [DCE.91.202.BVCM](#) [1338300-1](#) [1-354003-0](#) [1338301-1](#) [DF62/RE-MD](#) [142321](#)
[1456088-1](#) [1490794-1](#) [1-45804-6](#) [1490357-2](#) [1490357-3](#) [AX100749](#) [1-59619-7](#)