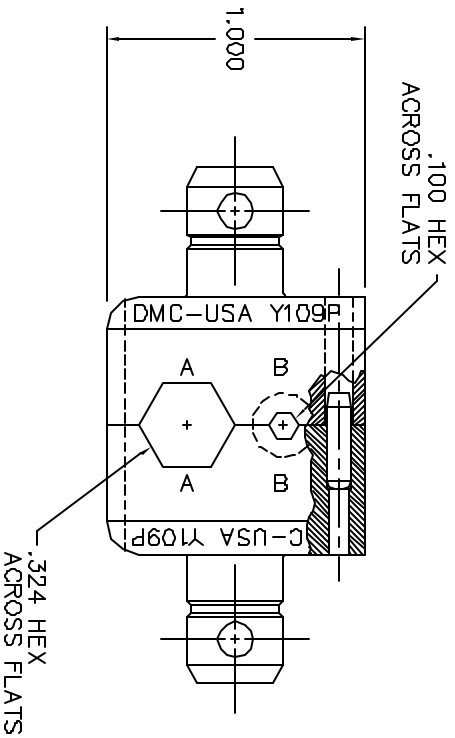
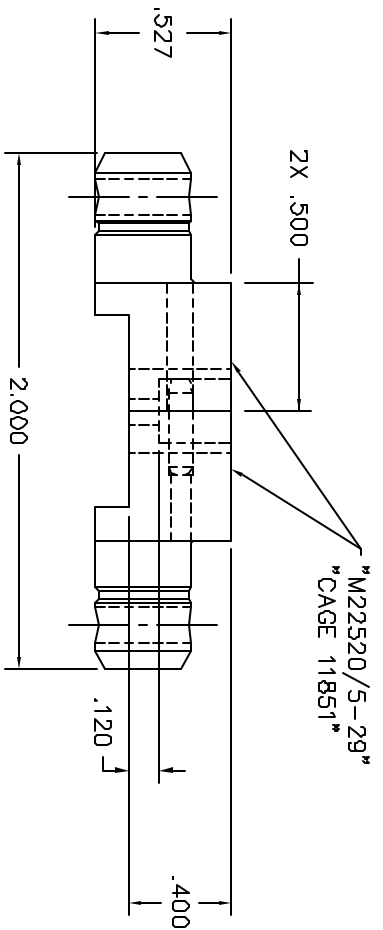


REVISIONS			
REV. NUMBER	DESCRIPTION	BY DATE	APP'D DATE
1	ORIGINAL RELEASE	JML 1/24/00	RFR 1/24/00



**UNCONTROLLED DOCUMENT
WILL NOT BE UPDATED**

RESTRICTED & CONFIDENTIAL		MATERIAL		ITEM		PART NO.		QTY.		DESCRIPTION/REMARKS	
DD NOT SCALE DRAWING DD NOT SCALE DRAWING		DMC-USA Y109P C-USA Y109P		DRW. J. JOYCE 1/24/00 DKTD. RRR 1/24/00	DATE 1/24/00 DATE 1/24/00	APPX. APPX.	DATE DATE	TITLE DIE SET ENVELOPE DRAWING M22520/5-29	WHERE USED: SIZE B SCALE 2X POSTING	CAD BY: Y109P-ENV DWS. NO.: Y109P-ENV	SHEET 1 OF 1 REV. 1
		HEAT TREAT FINISH		THIS DRAWING IS AN OUTLINE DRAWING OF THE RESPECTIVE PART NUMBER. DRAWING PART NUMBER IS DRAWING NUMBER WITHOUT THE "-ENV" SUFFIX.		NOTE: THIS DRAWING IS AN OUTLINE DRAWING OF THE RESPECTIVE PART NUMBER. DRAWING PART NUMBER IS DRAWING NUMBER WITHOUT THE "-ENV" SUFFIX.		DMC-USA Y109P C-USA Y109P		DMC-USA Y109P C-USA Y109P	

X-ON Electronics

Largest Supplier of Electrical and Electronic Components

Click to view similar products for [Crimpers / Crimping Tools](#) category:

Click to view products by [DMC](#) manufacturer:

Other Similar products are found below :

[010-0096](#) [M225201-06](#) [M225202-37](#) [6-1579015-5](#) [CT150-6-RH07](#) [622-6441LF](#) [M322](#) [6-304052-1](#) [63456-0054](#) [63484-3701](#) [63800-8355](#)
[63819-1875](#) [63819-2875](#) [63819-4475](#) [63827-5375](#) [64001-0975](#) [64001-4175](#) [64005-0175](#) [662903-2](#) [690602-6](#) [7-1579001-9](#) [7-23471-1](#)
[762637-1](#) [808714-1](#) [811242-5](#) [999-50-020083](#) [1-21002-3](#) [1-21002-7](#) [12085270](#) [1-21002-6](#) [1-21113-6](#) [1-22548-4](#) [125442-1](#)
[DCE.91.073.BVC](#) [DCE.91.090.3MVM](#) [DCE.91.130.5MVU](#) [DCE.91.202.BVCM](#) [1338300-1](#) [1-354003-0](#) [1338301-1](#) [DF62/RE-MD](#) [142321](#)
[1456088-1](#) [1490794-1](#) [1-45804-6](#) [1490357-2](#) [1490357-3](#) [AX100749](#) [1-59619-7](#) [1596970-1](#)