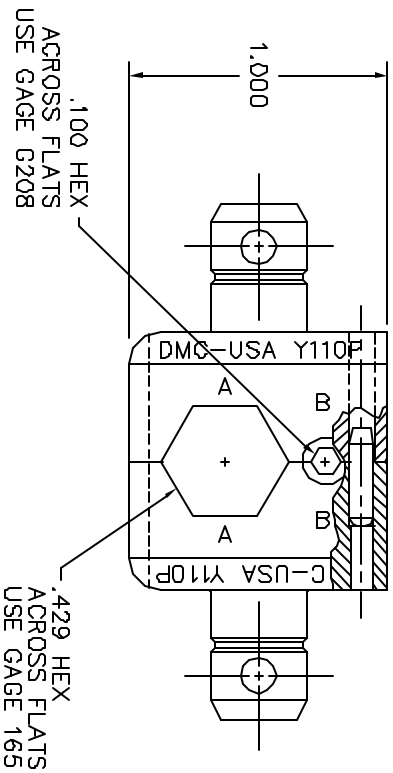
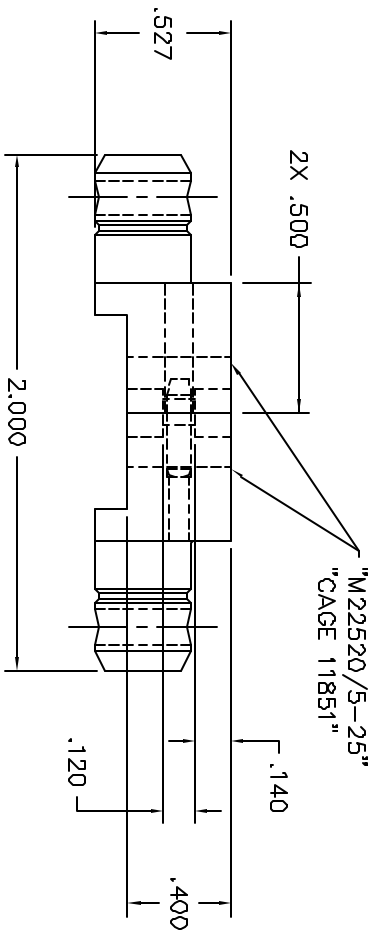


REVISIONS			
REV. NO.	DATE	DESCRIPTION	BY
1	1/4/00	ORIGINAL RELEASE	RRR



RESTRICTED & CONFIDENTIAL  
 DANIELS MANUFACTURING CORP. NOT TO BE  
 DISCLOSED TO OTHERS, REPRODUCED  
 OR USED FOR ANY OTHER PURPOSE  
 WITHOUT THE WRITTEN PERMISSION  
 OF DANIELS MANUFACTURING  
 CORP. THIS DRAWING IS THE PROPERTY  
 OF DANIELS MANUFACTURING CORP.  
 AND IS TO BE RETURNED TO DANIELS  
 MANUFACTURING CORP. ON COMPLETION  
 OF ORDER OR OTHER PURPOSE FOR  
 WHICH INT.

UNCONTROLLED DOCUMENT  
 WILL NOT BE UPDATED

ITEM	PART NO.	QTY.	DESCRIPTION/REMARKS								
DRN. J. JOYCE CHK'D. RRR APP'D.	DATE 1/4/00 DATE 1/4/00 DATE										
<table border="1"> <tr> <td colspan="2">MATERIAL</td> <td colspan="2">FINISH</td> </tr> <tr> <td colspan="2">HEAT TREAT</td> <td colspan="2">APP'D.</td> </tr> </table>				MATERIAL		FINISH		HEAT TREAT		APP'D.	
MATERIAL		FINISH									
HEAT TREAT		APP'D.									
TITLE		WHERE USED									
DIE SET ENVELOPE DRAWING M22520/5-25		CAD P/N Y110P-ENV P/N Y110P-ENV									
SHEET 1 OF 1		REV. 1									

DO NOT SCALE DRAWING

## X-ON Electronics

Largest Supplier of Electrical and Electronic Components

*Click to view similar products for [Crimpers / Crimping Tools](#) category:*

*Click to view products by [DMC](#) manufacturer:*

Other Similar products are found below :

[010-0096](#) [M225201-06](#) [M225202-37](#) [6-1579015-5](#) [CT150-6-RH07](#) [622-6441LF](#) [M322](#) [6-304052-1](#) [63456-0054](#) [63484-3701](#) [63800-8355](#)  
[63819-1875](#) [63819-2875](#) [63819-4475](#) [63827-5375](#) [64001-0975](#) [64001-4175](#) [64005-0175](#) [662903-2](#) [690602-6](#) [7-1579001-9](#) [7-23471-1](#)  
[762637-1](#) [808714-1](#) [811242-5](#) [999-50-020083](#) [1-21002-3](#) [1-21002-7](#) [12085270](#) [1-21002-6](#) [1-21113-6](#) [1-22548-4](#) [125442-1](#)  
[DCE.91.073.BVC](#) [DCE.91.090.3MVM](#) [DCE.91.130.5MVU](#) [DCE.91.202.BVCM](#) [1338300-1](#) [1-354003-0](#) [1338301-1](#) [DF62/RE-MD](#) [142321](#)  
[1456088-1](#) [1490794-1](#) [1-45804-6](#) [1490357-2](#) [1490357-3](#) [AX100749](#) [1-59619-7](#) [1596970-1](#)