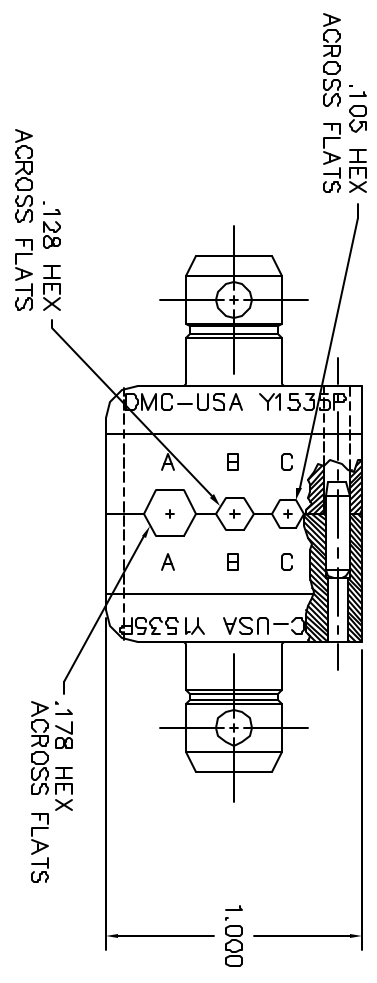
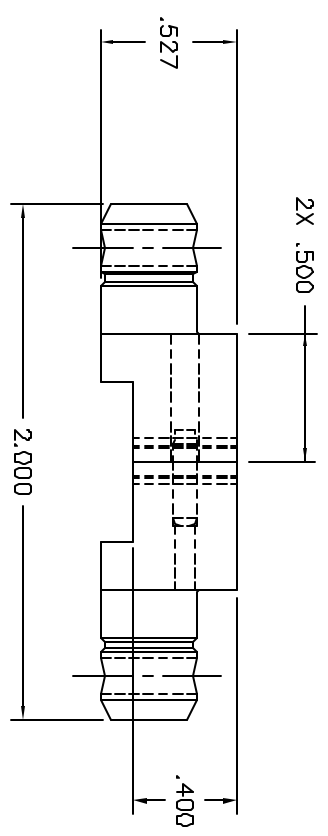


REVISIONS				
REV. NUMBER	EXC'D. NUMBER	DESCRIPTION	BY DATE	APP'D DATE
1		ORIGINAL RELEASE	JMU 8/21/00	RRR 8/25/00



**UNCONTROLLED DOCUMENT  
WILL NOT BE UPDATED**

RESTRICTED & CONFIDENTIAL  
 CONFIDENTIAL PROPERTY OF DANIEL'S MANUFACTURING CORP. NOT TO BE DISCLOSED TO OTHERS, REPRODUCED OR USED FOR ANY OTHER PURPOSES EXCEPT AS AUTHORIZED IN WRITING BY DANIEL'S MANUFACTURING CORP. DANIEL'S MANUFACTURING CORP. ON COMPLETION OF ORDER OR OTHER PURPOSE FOR WHICH LENT.

MATERIAL		HEAT TREAT		FINISH	
ITEM	PART NO.	QTY.	DESCRIPTION/REMARKS	DATE	BY
DRN. I. JOYCE				8/21/00	JMU
CHKD. RRR				8/21/00	RRR
APPRD.					
APPRD.					
WHERE USED:			TITLE		
SIZE	SCALE	DWG P/N	SHEET	OF	
B	2X	Y1535P-ENV	1	1	
POSTING		P/N	REV.		
		Y1535P-ENV	1		

DO NOT SCALE DRAWING

## X-ON Electronics

Largest Supplier of Electrical and Electronic Components

*Click to view similar products for [Crimpers / Crimping Tools](#) category:*

*Click to view products by [DMC](#) manufacturer:*

Other Similar products are found below :

[010-0096](#) [M225201-06](#) [M225202-37](#) [6-1579015-5](#) [CT150-6-RH07](#) [622-6441LF](#) [M322](#) [6-304052-1](#) [63456-0054](#) [63484-3701](#) [63800-8355](#)  
[63819-1875](#) [63819-2875](#) [63819-4475](#) [63823-3475](#) [63827-5375](#) [64001-0975](#) [64001-4175](#) [64005-0175](#) [662903-2](#) [690602-6](#) [7-1579001-9](#) [7-](#)  
[23471-1](#) [762637-1](#) [808714-1](#) [811242-5](#) [999-50-020083](#) [1-21002-3](#) [1-21002-7](#) [12085270](#) [1-21002-6](#) [1-21113-6](#) [1-22548-4](#) [125442-1](#)  
[DCE.91.073.BVC](#) [DCE.91.090.3MVM](#) [DCE.91.130.5MVU](#) [DCE.91.202.BVCM](#) [1338300-1](#) [1-354003-0](#) [1338301-1](#) [DF62/RE-MD](#) [142321](#)  
[1456088-1](#) [1490794-1](#) [1-45804-6](#) [1490357-2](#) [1490357-3](#) [AX100749](#) [1-59619-7](#)