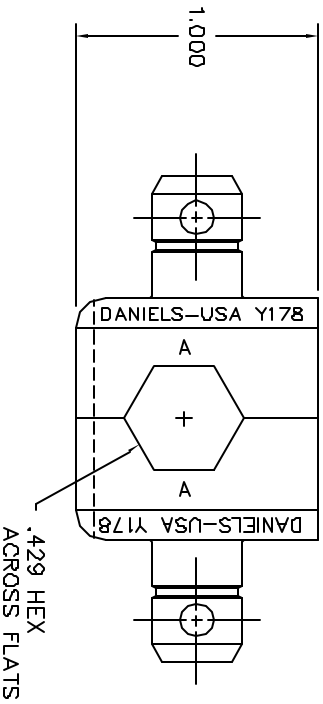
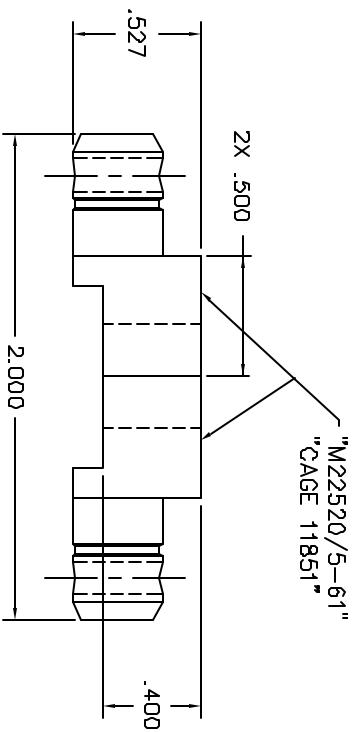


REVISIONS			
REV. NUMBER	ECO#	DESCRIPTION	BY DATE DATE
1		ORIGINAL RELEASE	9/27/99 9/27/99



**UNCONTROLLED DOCUMENT
WILL NOT BE UPDATED**

RESTRICTED & CONFIDENTIAL CONFIDENTIAL PROPERTY OF DANIELS MANUFACTURING CORP. NOT TO BE REPRODUCED OR TRANSMITTED IN ANY FORM OR BY ANY MEANS, ELECTRONIC OR MECHANICAL, INCLUDING PHOTOCOPYING, RECORDING, OR BY ANY INFORMATION STORAGE AND RETRIEVAL SYSTEM, WITHOUT PERMISSION IN WRITING FROM DANIELS MANUFACTURING CORP. ALL RIGHTS RESERVED. THIS DRAWING IS THE PROPERTY OF DANIELS MANUFACTURING CORP. AND IS LOANED TO YOU FOR YOUR USE ONLY. IT IS TO BE RETURNED TO DANIELS MANUFACTURING CORP. UPON COMPLETION OF ORDER OR AS DIRECTED BY DANIELS MANUFACTURING CORP.		MATERIAL	ITEM	PART NO.	QTY.	DESCRIPTION/REMARKS
		HEAT TREAT	DRN J. JOYCE CHKD RRR	DATE 9/27/99	DATE 9/27/99	
DO NOT SCALE DRAWING		FINISH	TITLE		WHERE USED	DATE
			(M22520/5-61) ENVELOPE DRAWING		DATE	
			SIZE	SCALE	CDR P/N	SHEET 1 OF 1
			B	2/1	Y178-ENV	REV 1
			P/1A	Y178-ENV		

X-ON Electronics

Largest Supplier of Electrical and Electronic Components

Click to view similar products for [Crimpers / Crimping Tools](#) category:

Click to view products by [DMC](#) manufacturer:

Other Similar products are found below :

[010-0096](#) [M225201-06](#) [M225202-37](#) [6-1579015-5](#) [CT150-6-RH07](#) [622-6441LF](#) [M322](#) [6-304052-1](#) [63456-0054](#) [63484-3701](#) [63800-8355](#)
[63819-1875](#) [63819-2875](#) [63819-4475](#) [63827-5375](#) [64001-0975](#) [64001-4175](#) [64005-0175](#) [662903-2](#) [690602-6](#) [7-1579001-9](#) [7-23471-1](#)
[762637-1](#) [808714-1](#) [811242-5](#) [999-50-020083](#) [1-21002-3](#) [1-21002-7](#) [12085270](#) [1-21002-6](#) [1-21113-6](#) [1-22548-4](#) [125442-1](#)
[DCE.91.073.BVC](#) [DCE.91.090.3MVM](#) [DCE.91.130.5MVU](#) [DCE.91.202.BVCM](#) [1338300-1](#) [1-354003-0](#) [1338301-1](#) [DF62/RE-MD](#) [142321](#)
[1456088-1](#) [1490794-1](#) [1-45804-6](#) [1490357-2](#) [1490357-3](#) [AX100749](#) [1-59619-7](#) [1596970-1](#)