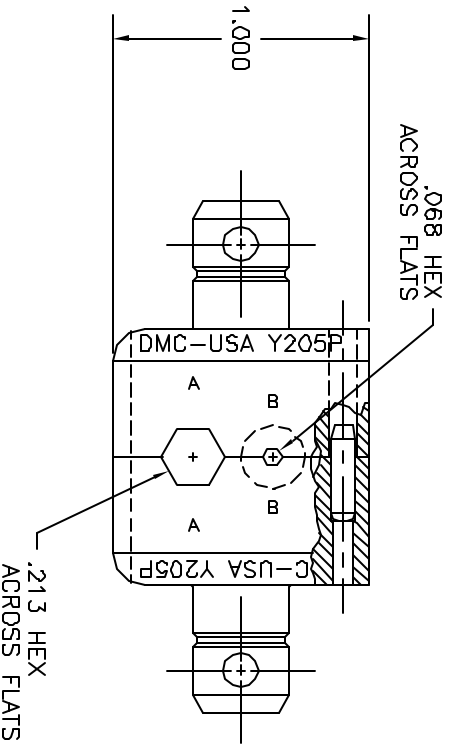
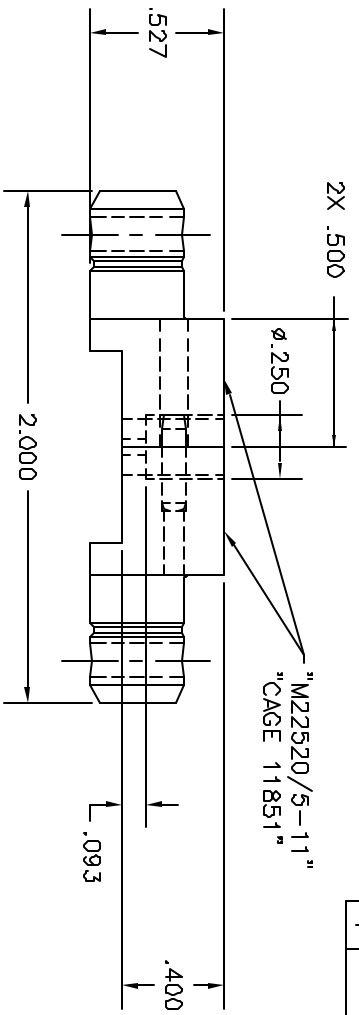


REVISIONS				
REV.	ECO. NUMBER	DESCRIPTION	BY DATE	APPRO. DATE
1		ORIGINAL RELEASE	KS 2/25/87	MSS 2/27/87



**UNCONTROLLED DOCUMENT
WILL NOT BE UPDATED**

RESTRICTED & CONFIDENTIAL		MATERIAL		ITEM		PART NO.		QTY.		DESCRIPTION/REMARKS			
RESTRICTED & CONFIDENTIAL COMMERCIAL PROPERTY OF DANIEL'S MANUFACTURING CORP. NOT TO BE DISCLOSED TO OTHERS, REPRODUCED OR USED FOR ANY OTHER PURPOSE, EXCEPT AS AUTHORIZED IN WRITING BY DANIEL'S MANUFACTURING. THIS DRAWING IS THE PROPERTY OF DANIEL'S MANUFACTURING AND IS TO BE KEPT IN CONFIDENCE FOR THE PROTECTION OF DANIEL'S POSITION OF GIBBER OR OTHER PURPOSE FOR WHICH LENT.		HEAT TREAT		TRN.	DATE	CHG'D.	DATE	APPR'D.	DATE	APPR'D.	DATE		
		FINISH		KS	2/25/87	MSS	2/27/87						
		DO NOT SCALE DRAWING											
WHERE USED		TITLE		SIZE		SCALE		CAD P/N		SHEET			
POSTING		ENVELOPE DRAWING (M22520/5-11)		B		2X		Y205P-ENV		1 OF 1			
				P/N		Y205P-ENV				REV. 1			

X-ON Electronics

Largest Supplier of Electrical and Electronic Components

Click to view similar products for [Crimpers / Crimping Tools](#) category:

Click to view products by [DMC](#) manufacturer:

Other Similar products are found below :

[010-0096](#) [M225201-06](#) [M225202-37](#) [6-1579015-5](#) [CT150-6-RH07](#) [622-6441LF](#) [M322](#) [6-304052-1](#) [63456-0054](#) [63484-3701](#) [63800-8355](#)
[63819-1875](#) [63819-2875](#) [63819-4475](#) [63823-3475](#) [63827-5375](#) [64001-0975](#) [64001-4175](#) [64005-0175](#) [662903-2](#) [690602-6](#) [7-1579001-9](#) [7-](#)
[23471-1](#) [762637-1](#) [808714-1](#) [811242-5](#) [999-50-020083](#) [1-21002-3](#) [1-21002-7](#) [12085270](#) [1-21002-6](#) [1-21113-6](#) [1-22548-4](#) [125442-1](#)
[DCE.91.073.BVC](#) [DCE.91.090.3MVM](#) [DCE.91.130.5MVU](#) [DCE.91.202.BVCM](#) [1338300-1](#) [1-354003-0](#) [1338301-1](#) [DF62/RE-MD](#) [142321](#)
[1456088-1](#) [1490794-1](#) [1-45804-6](#) [1490357-2](#) [1490357-3](#) [AX100749](#) [1-59619-7](#)