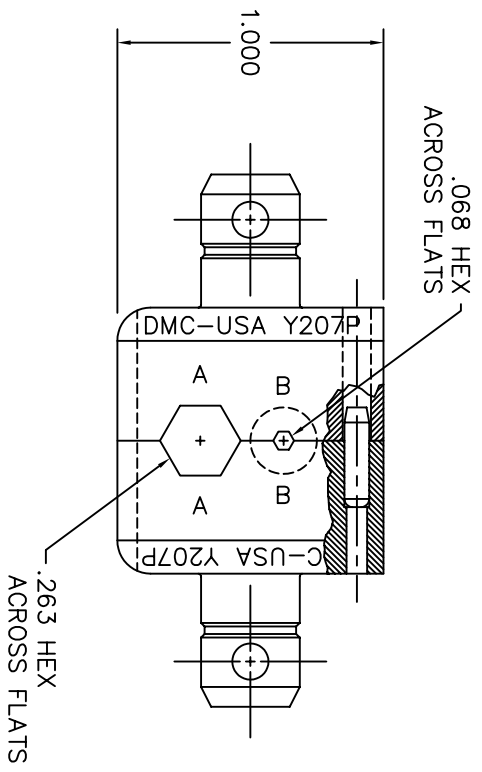
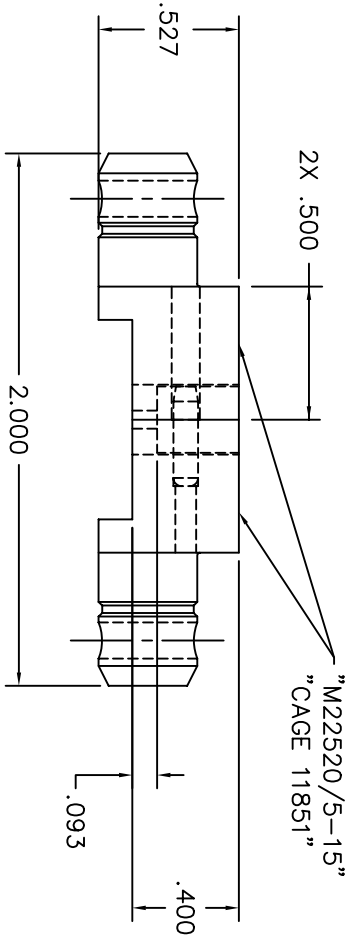


REVISIONS				
REV. SYM.	E.C.O. NUMBER	DESCRIPTION	BY DATE	APP'D DATE
1		ORIGINAL RELEASE	DVC 8/12/94	DE 8/12/94



**UNCONTROLLED DOCUMENT
WILL NOT BE UPDATED**

RESTRICTED & CONFIDENTIAL		MATERIAL		ITEM		QTY.		DESCRIPTION/REMARKS	
CONFIDENTIAL PROPERTY OF DANIELS MANUFACTURING CORP. REPRODUCTION OR USE FOR ANY OTHER PURPOSE, EXCEPT AS AUTHORIZED IN WRITING, BY DANIELS MANUFACTURING, MUST BE RETURNED TO DANIELS MANUFACTURING CORP. ON COMPLETION OF ORDER OR OTHER PURPOSE FOR WHICH LENT.		HEAT TREAT		DVR		PART NO.		DMC DANIELS MANUFACTURING CORP. ORLANDO, FLORIDA CAGE 11851	
		FINISH		CHK'D.		DATE			
DO NOT SCALE DRAWING		NOTE:		APP'D.		DATE		WHERE USED:	
		THIS DRAWING IS AN OUTLINE DRAWING OF THE RESPECTIVE PART NUMBER INDICATED. ACTUAL PART NUMBER IS DRAWING NUMBER WITHOUT THE "-ENV" SUFFIX.		APP'D.		DATE		CAD P/N Y207P-ENV SHEET 1 OF 1	
				DVC		8/12/94		DIE SET	
				DE		8/12/94		ENVELOPE DRAWING	
								(M22520/5-15)	
								DMG. NO. Y207P-ENV	
								REV. 1	

X-ON Electronics

Largest Supplier of Electrical and Electronic Components

Click to view similar products for [Crimpers / Crimping Tools](#) category:

Click to view products by [DMC](#) manufacturer:

Other Similar products are found below :

[010-0096](#) [M225201-06](#) [M225202-37](#) [6-1579015-5](#) [CT150-6-RH07](#) [622-6441LF](#) [M322](#) [6-304052-1](#) [63456-0054](#) [63484-3701](#) [63800-8355](#)
[63819-1875](#) [63819-2875](#) [63819-4475](#) [63823-3475](#) [63827-5375](#) [64001-0975](#) [64001-4175](#) [64005-0175](#) [662903-2](#) [690602-6](#) [7-1579001-9](#) [7-](#)
[23471-1](#) [762637-1](#) [808714-1](#) [811242-5](#) [999-50-020083](#) [1-21002-3](#) [1-21002-7](#) [12085270](#) [1-21002-6](#) [1-21113-6](#) [1-22548-4](#) [125442-1](#)
[DCE.91.073.BVC](#) [DCE.91.090.3MVM](#) [DCE.91.130.5MVU](#) [DCE.91.202.BVCM](#) [1338300-1](#) [1-354003-0](#) [1338301-1](#) [DF62/RE-MD](#) [142321](#)
[1456088-1](#) [1490794-1](#) [1-45804-6](#) [1490357-2](#) [1490357-3](#) [AX100749](#) [1-59619-7](#)