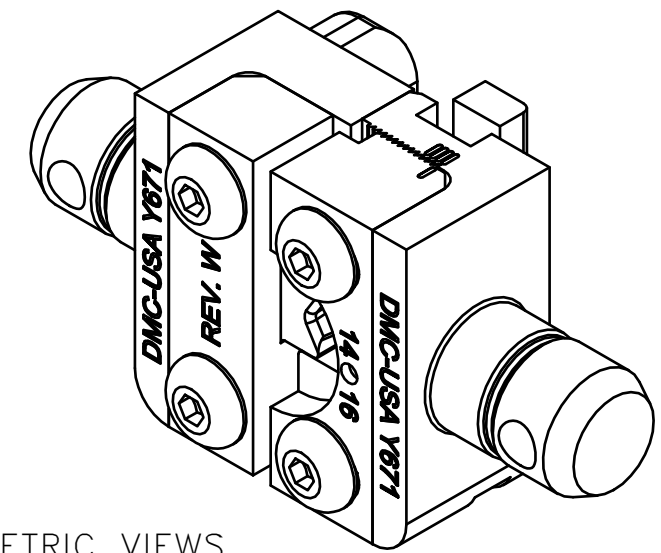
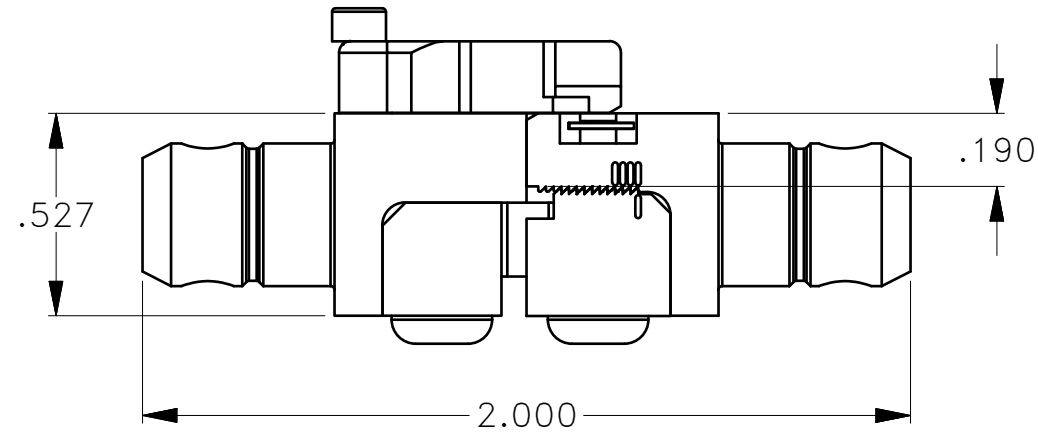


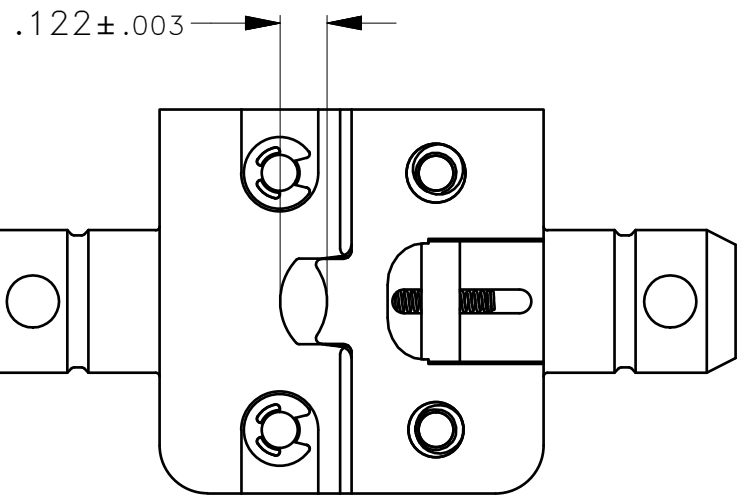
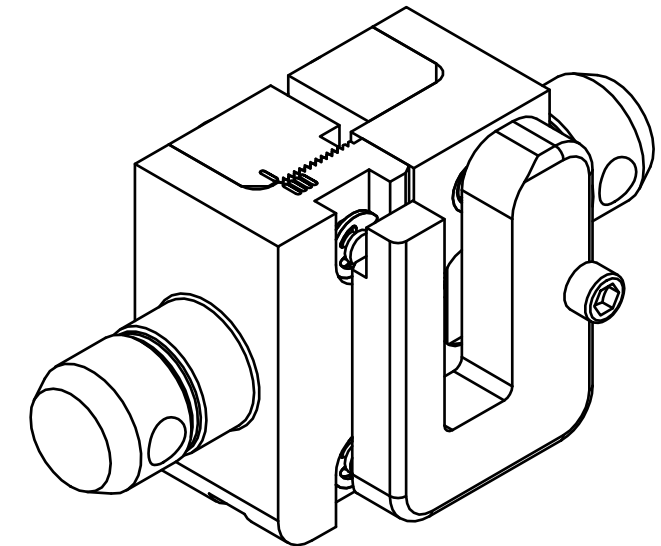
USERS MUST ASSURE THEY ARE USING THE CORRECT REVISION.

REVISIONS				
REV SYM	ECO NUMBER	DESCRIPTION	BY DATE	APP'D DATE
2		ADDED GAGE	TS 6.22.88	DH 6.22.88
3		UPDATED DRAWING TO NEW DESIGN	K. KOONS 8.15.13	
4		ADDED SHEET 2	ENF 1-12-16	RRR 1-12-16

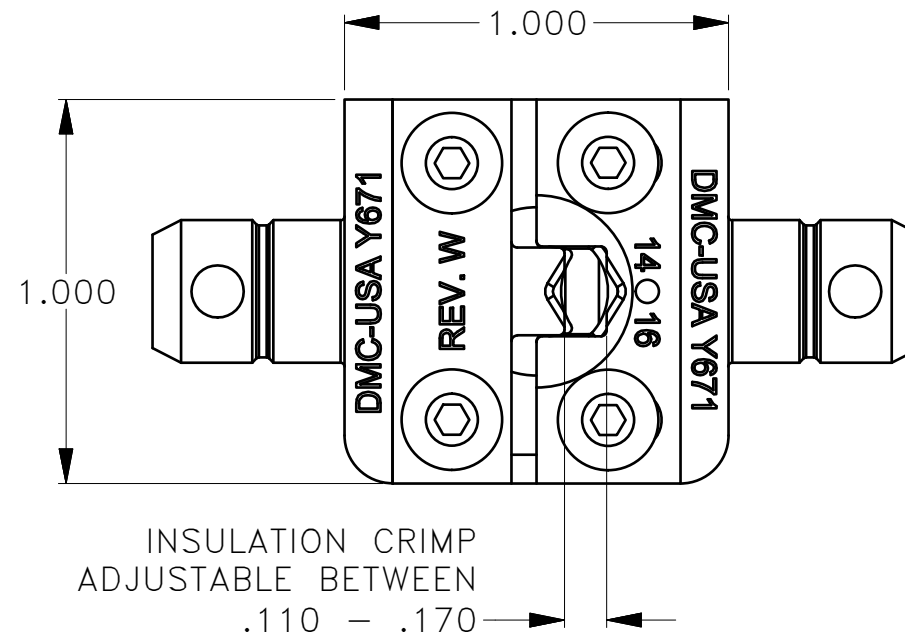
**UNCONTROLLED DOCUMENT
WILL NOT BE UPDATED**
DIMENSIONS IN INCHES - UNLESS OTHERWISE SPECIFIED



ISOMETRIC VIEWS



BACK VIEW
LOCATOR REMOVED TO SHOW
CONDUCTOR GAGING



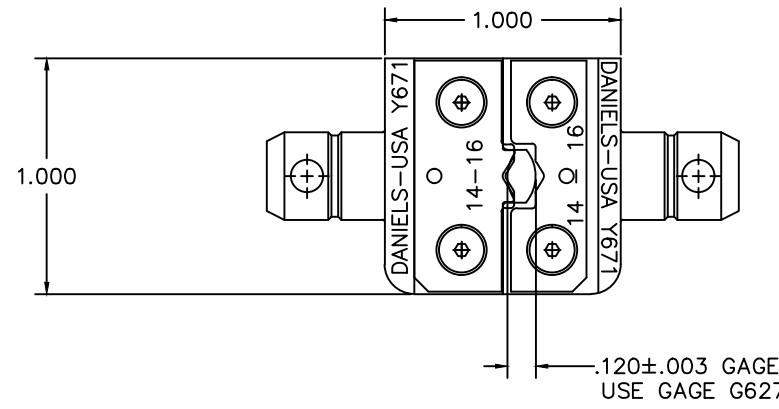
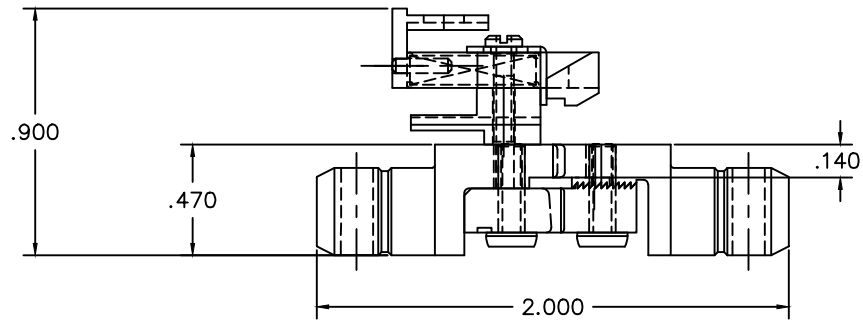
INSULATION CRIMP
ADJUSTABLE BETWEEN
.110 - .170

3. SEE PAGE 2 FOR OLDER REVISION GAGING INFORMATION
2. CHECK CONDUCTOR GAGING WITH G768.
1. FOR AS7928, MS17143, & MS25036 TERMINALS: BLUE INSULATED, 14-16 AWG.

NOTES:

RESTRICTED & CONFIDENTIAL		MATERIAL	ITEM	PART NO.	QTY.	DESCRIPTION/REMARKS
CONFIDENTIAL PROPERTY OF DANIELS MANUFACTURING CORP. NOT TO BE DISCLOSED TO OTHERS, REPRODUCED OR USED FOR ANY OTHER PURPOSE EXCEPT AS AUTHORIZED IN WRITING BY DANIELS MANUFACTURING. MUST BE RETURNED TO DANIELS MANUFACTURING CORP. ON COMPLETION OF ORDER OR OTHER PURPOSE FOR WHICH LENT. CREATED FROM AN INVENTOR MODEL. CHANGES MUST BE REFLECTED IN THE 3D PART DO NOT SCALE DRAWING		N/A	DRN. Kirk C Koons	DATE 6/8/2012	1	DANIELS MANUFACTURING CORP. ORLANDO, FLORIDA CAGE 11851
		HEAT TREAT	APP'D.	DATE		
		N/A	APP'D.	DATE	DIE SET, 14-16 AWG, INSULATED	
		FINISH	NOTE: THIS DRAWING IS AN OUTLINE DRAWING OF THE RESPECTIVE DMC PART NUMBER INDICATED. ACTUAL DMC PART NUMBER IS DRAWING NUMBER WITHOUT THE "-ENV" SUFFIX		WHERE USED:	
		N/A	SIZE B	SCALE 2 : 1	CAD P/N Y671-ENV	SHEET 1 OF 2
			POSTING	DWG. NO. Y671-ENV	REV. 4	

REVISIONS				
REV. SYM.	E.C.O. NUMBER	DESCRIPTION	BY DATE	APP'D DATE



OLD GAGING FOR PREVIOUS REVISION DIE SETS (NOT MARKED WITH REVISION LETTER)

**UNCONTROLLED DOCUMENT
WILL NOT BE UPDATED**

RESTRICTED & CONFIDENTIAL CONFIDENTIAL PROPERTY OF DANIELS MANUFACTURING CORP. NOT TO BE DISCLOSED TO OTHERS, REPRODUCED OR USED FOR ANY OTHER PURPOSE, EXCEPT AS AUTHORIZED IN WRITING BY DANIELS MANUFACTURING. MUST BE RETURNED TO DANIELS MANUFACTURING CORP. ON COMPLETION OF ORDER OR OTHER PURPOSE FOR WHICH LENT.	MATERIAL	ITEM	PART NO.	QTY.	DESCRIPTION/REMARKS	
	HEAT TREAT	DRN.	TS	DATE	8/22/88	DMC DANIELS MANUFACTURING CORP. ORLANDO, FLORIDA CAGE 11851
FINISH	GHK'D.	DH	DATE	8/22/88	TITLE	
	NOTE: THIS DRAWING IS AN OUTLINE DRAWING OF THE RESPECTIVE DMC PART NUMBER INDICATED. ACTUAL DMC PART NUMBER IS DRAWING NUMBER WITHOUT THE *-ENV* SUFFIX.	APP'D.	AAM	DATE	8/22/88	DIE SET ENVELOPE DRAWING
DO NOT SCALE DRAWING		WHERE USED:	SIZE	SCALE	CAD P/N	SHEET OF
			B	NTS	Y671-ENV	2 2
			POSTING	DWG. NO.	Y671-ENV	REV.
						4

X-ON Electronics

Largest Supplier of Electrical and Electronic Components

Click to view similar products for [Crimpers / Crimping Tools](#) category:

Click to view products by [DMC](#) manufacturer:

Other Similar products are found below :

[010-0096](#) [M225201-06](#) [M225202-37](#) [6-1579015-5](#) [CT150-6-RH07](#) [622-6441LF](#) [M322](#) [6-304052-1](#) [63456-0054](#) [63484-3701](#) [63800-8355](#)
[63819-1875](#) [63819-2875](#) [63819-4475](#) [63823-3475](#) [63827-5375](#) [64001-0975](#) [64001-4175](#) [64005-0175](#) [662903-2](#) [690602-6](#) [7-1579001-9](#) [7-](#)
[23471-1](#) [762637-1](#) [808714-1](#) [811242-5](#) [999-50-020083](#) [1-21002-3](#) [1-21002-7](#) [12085270](#) [1-21002-6](#) [1-21113-6](#) [1-22548-4](#) [125442-1](#)
[DCE.91.073.BVC](#) [DCE.91.090.3MVM](#) [DCE.91.130.5MVU](#) [DCE.91.202.BVCM](#) [1338300-1](#) [1-354003-0](#) [1338301-1](#) [DF62/RE-MD](#) [142321](#)
[1456088-1](#) [1490794-1](#) [1-45804-6](#) [1490357-2](#) [1490357-3](#) [AX100749](#) [1-59619-7](#)