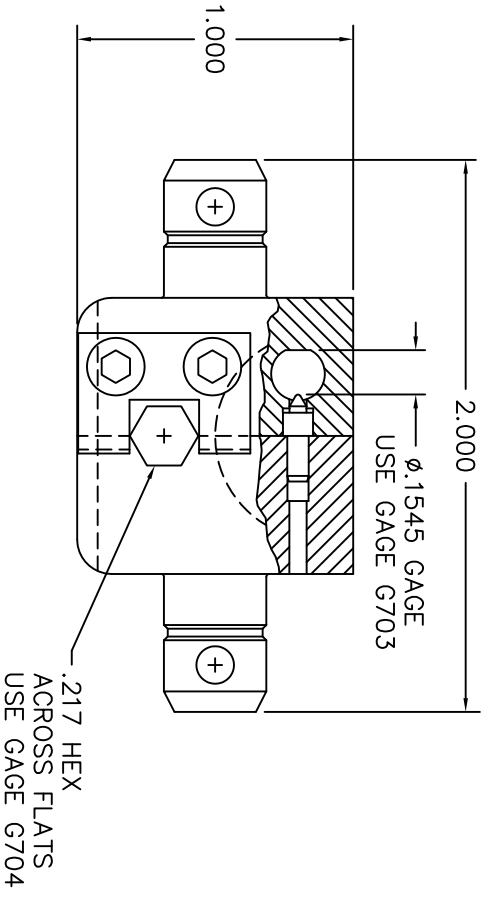
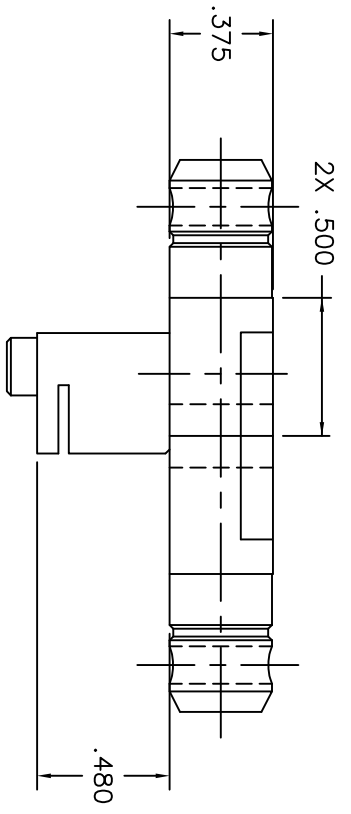


REVISIONS					
REV. NUMBER	E.C.O. NUMBER	DESCRIPTION	BY DATE	APP'D DATE	
1		ORIGINAL RELEASE	J.STRITTON 5-17-91	DE 5-91	
2		REVERSED GUIDE PLATE	JMC 9-4-03	JWJ 9-4-03	



**UNCONTROLLED DOCUMENT
WILL NOT BE UPDATED**

1. FUNCTIONALLY EQUIVALENT TO
AMPHENOL 294GB-5050.

NOTES:

RESTRICTED & CONFIDENTIAL CONFIDENTIAL PROPERTY OF DANIELS MANUFACTURING CORP. NOT TO BE DISCLOSED TO OTHERS, REPRODUCED OR USED FOR ANY OTHER PURPOSE, EXCEPT AS AUTHORIZED IN WRITING BY DANIELS MANUFACTURING CORP. ON COMPLETION OF ORDER OR OTHER PURPOSE FOR WHICH INT.		MATERIAL	FINISH	THIS DRAWING IS AN OUTLINE DRAWING OF THE RESPECTIVE INDICATED PART. ACTUAL DIMS PART NUMBER IS DRAWING NUMBER WITHOUT THE "-ENV" SUFFIX.	
HEAT TREAT		ITEM	PART NO.	QTY.	DESCRIPTION/REMARKS
DO NOT SCALE DRAWING		DRN. J.STRITTON	5-17-91		DANIELS MANUFACTURING CORP. ORLANDO, FLORIDA CAGE 11851
		CHK'D. DE	DATE 5-91		
		APP'D.	DATE		
		APP'D.	DATE		
		NOTE:		WHERE USED:	
		TITLE		DIE SET ENVELOPE DRAWING	
		SCALE	CAD P/N	SHEET	OF
		B NTS	Y832-ENV	1	1
		POSTING	DWG. NO. Y832-ENV	REV.	2

X-ON Electronics

Largest Supplier of Electrical and Electronic Components

Click to view similar products for [Crimpers / Crimping Tools](#) category:

Click to view products by [DMC](#) manufacturer:

Other Similar products are found below :

[010-0096](#) [M225201-06](#) [M225202-37](#) [6-1579015-5](#) [CT150-6-RH07](#) [622-6441LF](#) [M322](#) [6-304052-1](#) [63456-0054](#) [63484-3701](#) [63800-8355](#)
[63819-1875](#) [63819-2875](#) [63819-4475](#) [63823-3475](#) [63827-5375](#) [64001-0975](#) [64001-4175](#) [64005-0175](#) [662903-2](#) [690602-6](#) [7-1579001-9](#) [7-](#)
[23471-1](#) [762637-1](#) [808714-1](#) [811242-5](#) [999-50-020083](#) [1-21002-3](#) [1-21002-7](#) [12085270](#) [1-21002-6](#) [1-21113-6](#) [1-22548-4](#) [125442-1](#)
[DCE.91.073.BVC](#) [DCE.91.090.3MVM](#) [DCE.91.130.5MVU](#) [DCE.91.202.BVCM](#) [1338300-1](#) [1-354003-0](#) [1338301-1](#) [DF62/RE-MD](#) [142321](#)
[1456088-1](#) [1490794-1](#) [1-45804-6](#) [1490357-2](#) [1490357-3](#) [AX100749](#) [1-59619-7](#)