

Surge arrester

2-Electrode arrester

Series/Type: DG2R1500L

Customer:

Version/Date: Issue 01/2017-8-17

Surge arrester

2-Electrode arrester

DG2R1500L

Features	Applications
<ul style="list-style-type: none"> ● Extremely small size ● Extremely fast response time ● Stable performance over life ● Very low capacitance ● High insulation resistance ● RoHS-compatible ● UL-identification No:E498658 	<ul style="list-style-type: none"> ● Consumer electronics ● AC Power line devices ● Power supplier

Electrical specifications

DC breakdown voltage ¹⁾²⁾	1500	V
Tolerance	±20	%
Min.	1200	V
Max.	1800	V
Impulse breakdown voltage at 1kv/us		
- For 99% measure values	≤2200	V
- Typical values of distribution	≤2100	V
Service life		
10 operations 50Hz,1S	5	A
10 operations 8/20us	10	KA
Insulation resistance at DC 100V	≥1	GΩ
Capacitance at 1MHz	≤1.5	pF
Weight	1.5	g
Storage and operations temperature	-40...+90	°C
Climatic category (IEC60068-1)	40/90/21	
Marking,Blue positive	DG2R1500L	



Tel: +86-510-81707285

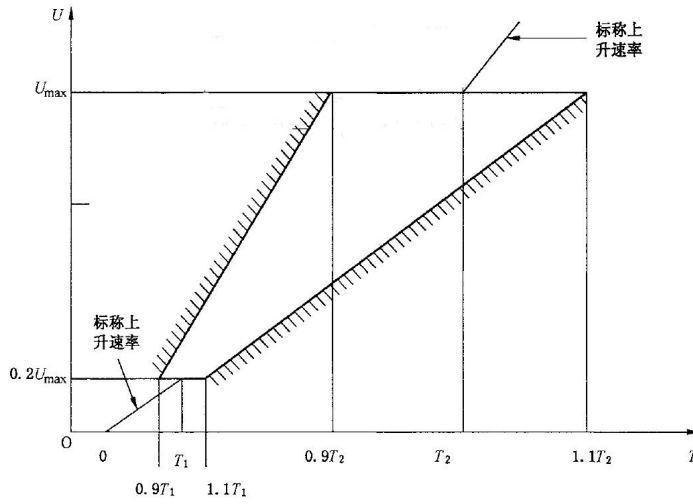
Fax: +86-510-81707277

www.jsdgm.com

Surge arrester
2-Electrode arrester

DG2R1500L

DC breakdown voltage



8/20us, Test wave

$T_1 = 1.25T = 8\mu s \pm 20\%$

$T_2 = 20\mu s \pm 20\%$

10/700us, Test Wave

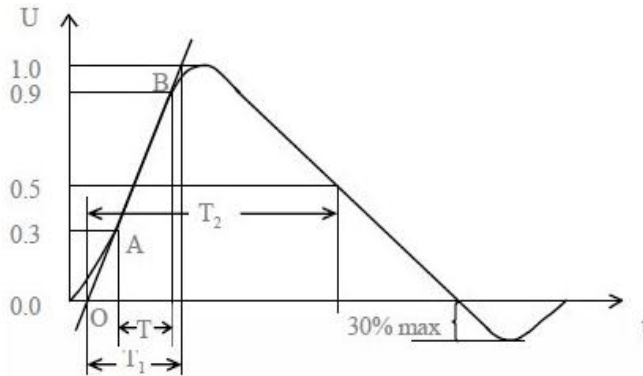
$T_1 = 1.67T = 10\mu s \pm 20\%$

$T_2 = 700\mu s \pm 20\%$

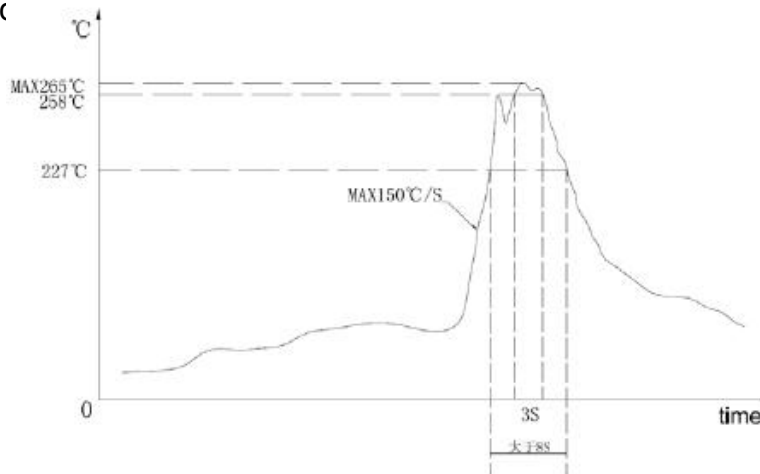
10/1000us, Test Wave

$T_1 = 1.67T = 10\mu s \pm 20\%$

$T_2 = 1000\mu s \pm 20\%$



Recommender



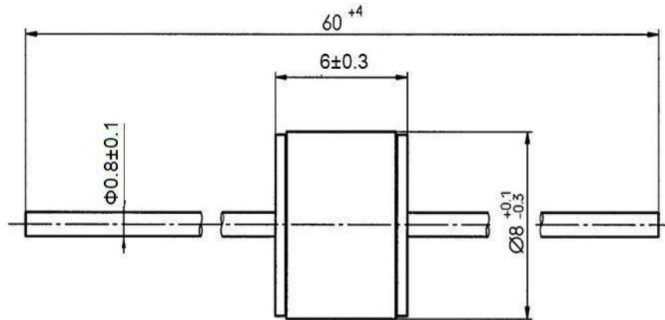
Surge arrester

2-Electrode arrester

DG2R1500L

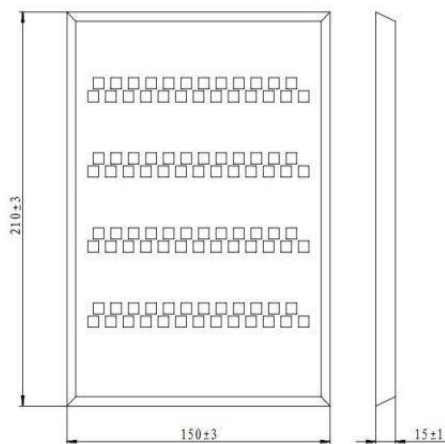
- 1) Sampling size in accordance to AQL(C=0)
- 2) In ionized mode
- 3) Tests according to ITU-T Rec. K. 12 IEC61663-2 and IEC61643-311

Dimensions



Wire Tin-plated

Packaging



100pcs/box

Cautions and warnings

- Surge arresters must not be operated directly in power supply networks, whose maximum operating voltage exceeds the minimum spark-over voltage of the surge arresters.
- Surge arresters may become hot in case of longer periods of current stress (danger of burning).
- If the contacts of the surge arrester are defective, current stress can lead to the formation of sparks and loud noise.
- Surge arresters may be used only within their specified values. In case of overload, the head contacts may fail or the component may be destroyed.
- Damaged surge arresters must not be re-used.

DC Elec.

Issue 01/2017-8-17

Please read Cautions and warnings and important notes at the end of this document.

X-ON Electronics

Largest Supplier of Electrical and Electronic Components

Click to view similar products for [dongchen manufacturer](#):

Other Similar products are found below :

[BTA16](#) [BTB12](#) [DG3R420LFS](#) [P61089B](#) [BT137](#) [DG3R470L](#) [DG3R090M](#) [DG2R470L](#) [DG2R3000L](#) [DG2R090M](#) [DG2R350L](#) [DG2R1000L](#)
[DG301A](#) [DG3R420M](#) [DG2R2500L](#) [DG351A](#) [DG401A](#) [DG2R420M](#) [DG2R350S](#) [DG471S](#) [BTA20](#) [DG091A](#) [DG3R090L](#) [DP0640SB](#) [T810](#)
[DP3500SB](#) [DP3100SB](#) [DP0080SB](#) [DG3R230L](#) [DG2R1500L](#) [DG3R420L](#) [DG2R600L](#) [DG2R090L](#) [BTA12](#) [DG151S](#)