

Surge arrester

2-Electrode arrester

Series/Type: DG2R3000L

Customer:

Version/Date: Issue 01/2017-10-19

Surge arrester
2-Electrode arrester
DG2R3000L
Features

- Extremely small size
- Extremely fast response time
- Stable performance over life
- Very low capacitance
- High insulation resistance
- RoHS-compatible

Applications

- **Consumer electronics**
- **AC Power line devices**
- **Power supplier**

Electrical specifications

DC breakdown voltage ¹⁾²⁾	3000	V
Tolerance	±20	%
Min.	2400	V
Max.	3600	V
Impulse breakdown voltage		
at 1kv/us	≤4200	V
- For 99% measure values		
- Typical values of distribution	≤4000	V
Service life		
10 operations	50Hz, 1S	5
10 operations	8/20us	5
Insulation resistance at DC 100V	≥1	GΩ
Capacitance at 1MHz	≤1.5	pF
AC withstand voltage		
1 S	1500	V
Weight	1.5	g
Storage and operations temperature	-40...+90	°C
Climatic category (IEC60068-1)	40/90/21	
Marking, Blue positive	DG2R3000L	

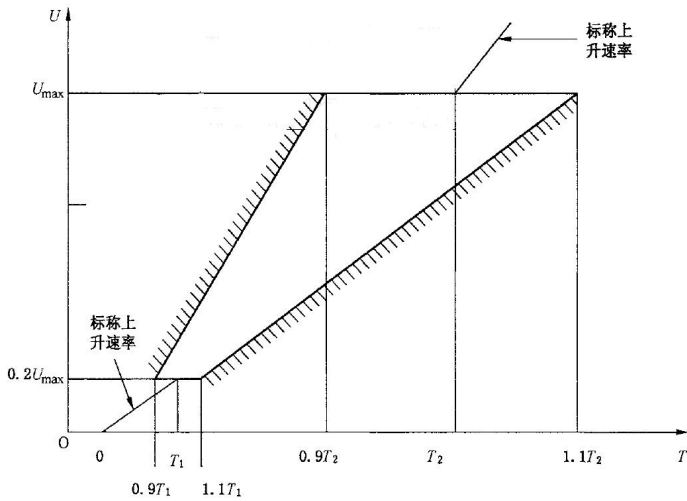


Tel: +86-510-81707285

Fax: +86-510-81707277

www.jsdgame.com

DC breakdown voltage



8/20us, Test wave

$$T1=1.25T=8\mu s \pm 20\%$$

$$T2=20\mu s \pm 20\%$$

10/700us, Test Wave

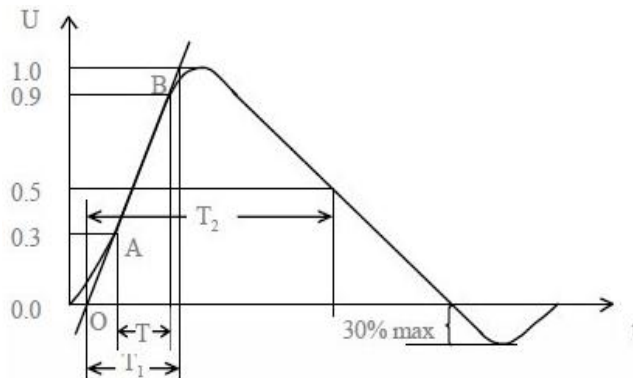
$$T1=1.67T=10\mu s \pm 20\%$$

$$T2=700\mu s \pm 20\%$$

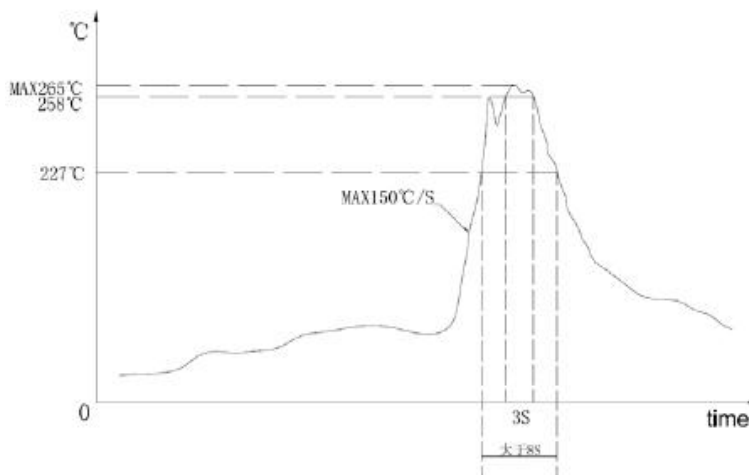
10/1000us, Test Wave

$$T1=1.67T=10\mu s \pm 20\%$$

$$T2=1000\mu s \pm 20\%$$



Recommended wave soldering profile



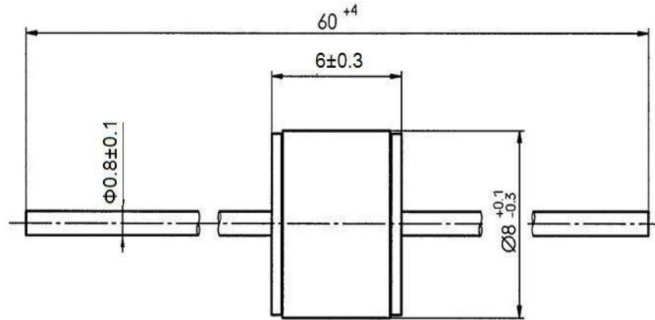
Surge arrester

2-Electrode arrester

DG2R3000L

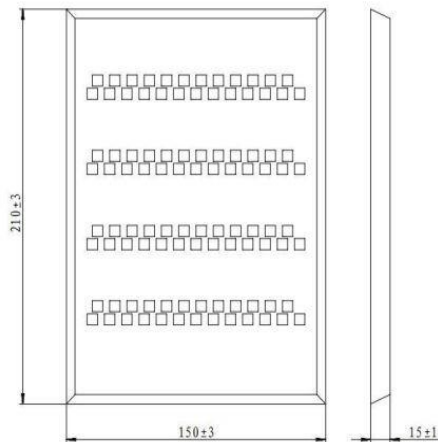
- 1) Sampling size in accordance to AQL(C=0)
- 2) In ionized mode
- 3) Tests according to ITU-T Rec. K. 12 IEC61663-2 and IEC61643-311

Dimensions



Wire Tin-plated

Packaging



100pcs/box

Cautions and warnings

- Surge arresters must not be operated directly in power supply networks, whose maximum operating voltage exceeds the minimum spark-over voltage of the surge arresters.
- Surge arresters may become hot in case of longer periods of current stress (danger of burning).
- If the contacts of the surge arrester are defective, current stress can lead to the formation of sparks and Ic
- Surge arresters may be used only within their specified values. In case of overload, the head contacts may fail or the component may be destroyed.
- Damaged surge arresters must not be re-used.

DC Elec.

Issue 01/2017-10-19

Please read Cautions and warnings and important notes at the end of this document.

Page 4 of 4

X-ON Electronics

Largest Supplier of Electrical and Electronic Components

Click to view similar products for [dongchen manufacturer](#):

Other Similar products are found below :

[BTA16](#) [BTB12](#) [DG3R420LFS](#) [P61089B](#) [BT137](#) [DG3R470L](#) [DG3R090M](#) [DG2R470L](#) [DG2R3000L](#) [DG2R090M](#) [DG2R350L](#) [DG2R1000L](#)
[DG301A](#) [DG3R420M](#) [DG2R2500L](#) [DG351A](#) [DG401A](#) [DG2R420M](#) [DG2R350S](#) [DG471S](#) [BTA20](#) [DG091A](#) [DG3R090L](#) [DP0640SB](#) [T810](#)
[DP3500SB](#) [DP3100SB](#) [DP0080SB](#) [DG3R230L](#) [DG2R1500L](#) [DG3R420L](#) [DG2R600L](#) [DG2R090L](#) [BTA12](#) [DG151S](#)