

## **Surge arrester**

2-Electrode arrester

**Series/Type: DG2R350S**

**Customer:**

**Version/Date: Issue 01/2017-5-17**

## 2-Electrode arrester

DG2R350S

| Features   | Applications  |
|--|---|
| <ul style="list-style-type: none"> <li>● Extremely small size</li> <li>● Extremely fast response time</li> <li>● Excellent SMD handling</li> <li>● Stable performance over life</li> <li>● Very low capacitance</li> <li>● High insulation resistance</li> <li>● RoHS-compatible</li> <li>● UL-identification, No:E311500</li> </ul> | <ul style="list-style-type: none"> <li>● Splitter</li> <li>● PCI Cards</li> <li>● Morden</li> <li>● Line cards</li> </ul> |

### Electrical specifications

|  |                |        |
|--|----------------|--------|
| DC breakdown voltage <sup>2) 3)</sup><br>at 100v/s -Circuit current less than 2mA    | 350<br>±20     | V<br>% |
| Impulse breakdown voltage <sup>1)</sup><br>at 1kv/us -Typical values of distribution | ≤650           | V      |
| Insulation resistance at DC 100V   | ≥1             | GΩ     |
| Capacitance at 1MHz <sup>2)</sup>  | ≤1.5           | Pf     |
| Service life <sup>2)</sup><br>10 operations 8/20us                                   | 5              | KA     |
| Weight   | ~0.5           | g      |
| Storage and operations temperature   | -40...+90      | °C     |
| Climatic category (GB/T 9043, IEC61643-1)  | 40/90/21       |        |
| Marking  | <b>Without</b> |        |



Tel: +86-510-81707290

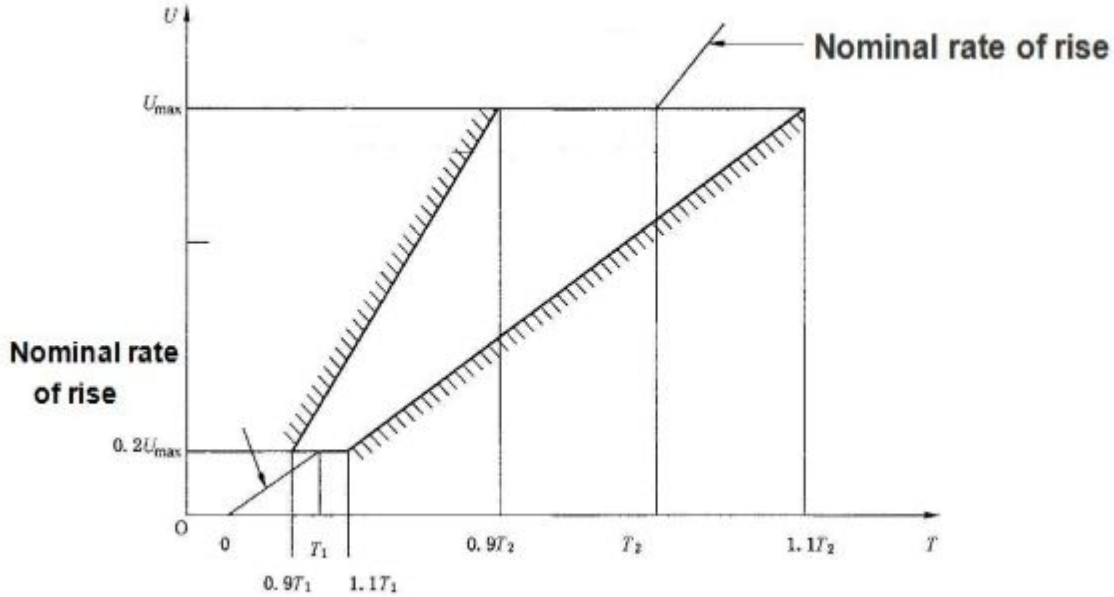
Fax: +86-510-81707277

[www.jsdgme.com](http://www.jsdgme.com)

## 2-Electrode arrester

DG2R350S

### DC breakdown voltage



8/20us, Test wave

$T_1 = 1.25T = 8\mu s \pm 20\%$

$T_2 = 20\mu s \pm 20\%$

10/700us, Test Wave

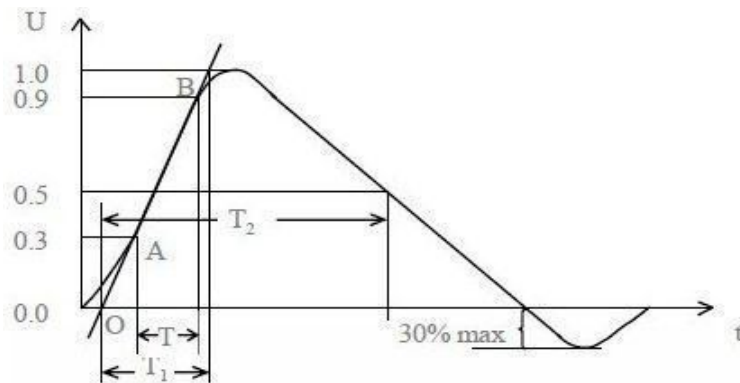
$T_1 = 1.67T = 10\mu s \pm 20\%$

$T_2 = 700\mu s \pm 20\%$

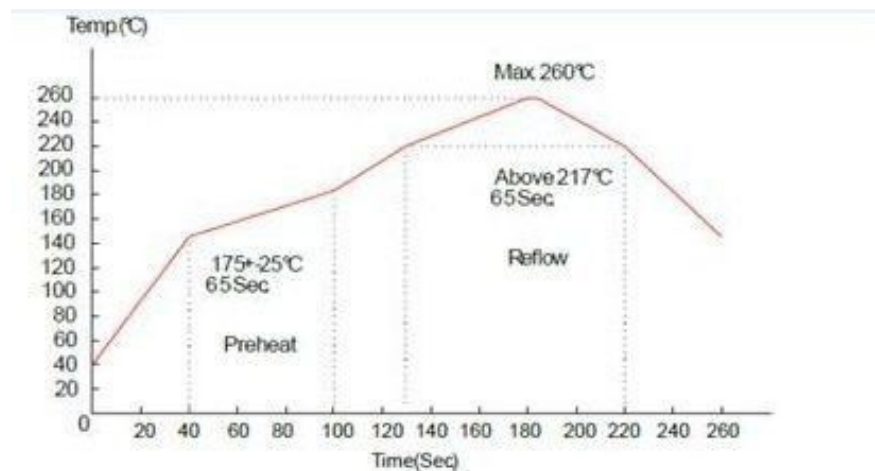
10/1000us, Test Wave

$T_1 = 1.67T = 10\mu s \pm 20\%$

$T_2 = 1000\mu s \pm 20\%$



### Recommended wave soldering profile

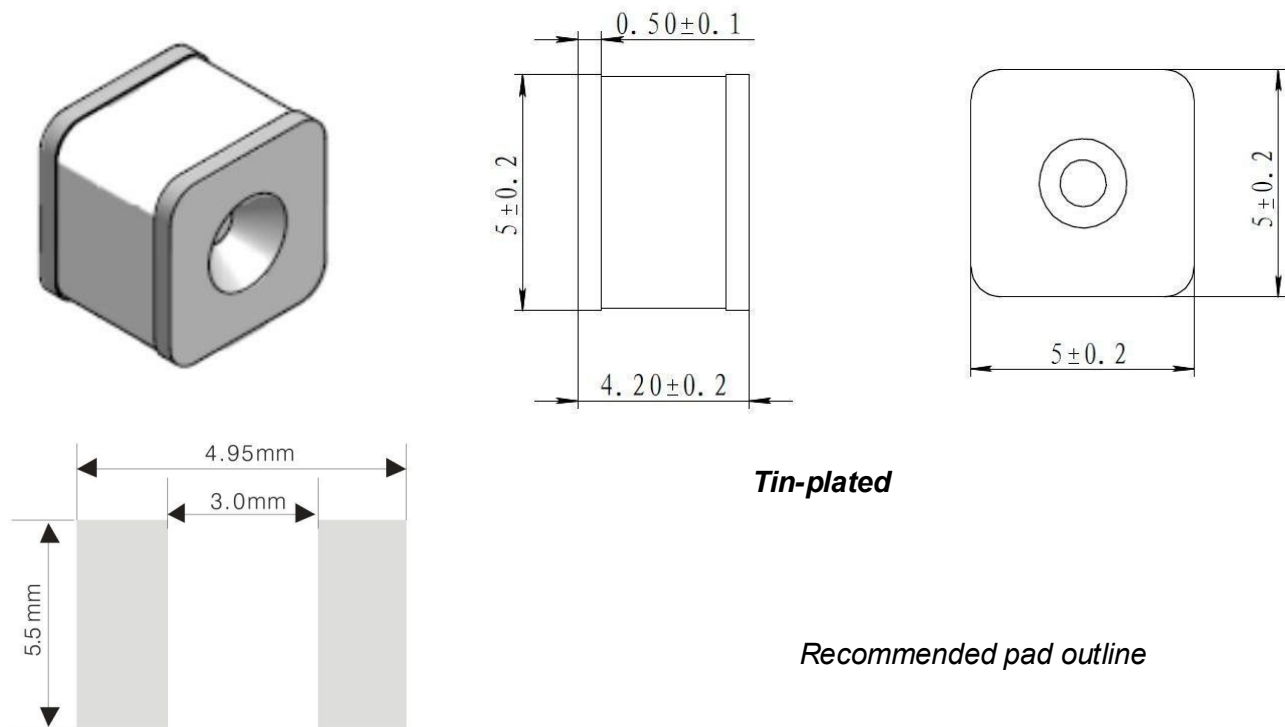


## 2-Electrode arrester

DG2R350S

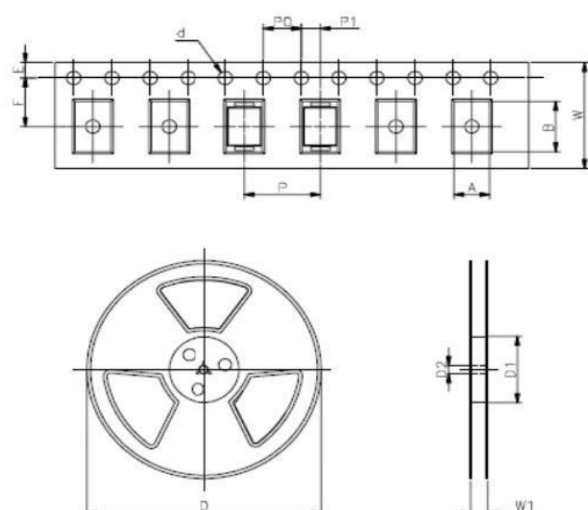
- 1) Sampling size in accordance to AQL(C=0)
- 2) DC spark-over voltage  $\pm 35\%$  after load
- 3) Tests according to ITU-T Rec. K. 12 and IEC61643-1

### Dimensions



### Package

1000pcs/one reel



| REF | mm        | inch          |
|-----|-----------|---------------|
| A   | 5.3±0.1   | 0.209±0.004   |
| B   | 4.5±0.2   | 0.177±0.008   |
| d   | Φ 1.5±0.1 | Φ 0.059±0.004 |
| P0  | 4.0±0.1   | 0.157±0.004   |
| P1  | 2.0±0.1   | 0.079±0.004   |
| P   | 12.0±0.1  | 0.472±0.004   |
| E   | 1.75±0.1  | 0.069±0.004   |
| F   | 7.5±0.1   | 0.295±0.004   |
| W   | 16.0±0.3  | 0.630±0.012   |
| D   | Φ 330.0   | Φ 13.0        |
| D1  | Φ 50Min   | Φ 1.97Min     |
| D2  | Φ 13±0.15 | 0.512±0.006   |
| W1  | 16.8±2.0  | 0.661±0.079   |

### Cautions and warnings

- Surge arresters must not be operated directly in power supply networks
- Surge arresters may become hot in case of longer periods of current stress (danger of burning).
- If the contacts of the surge arrester are defective, current stress can lead to the formation of sparks and loud noises.
- Surge arresters may be used only within their specified values. In case of overload, the head contacts may fail or the component may be destroyed.
- Damaged surge arresters must not be re-used.

DC Elec.

Issue01/2017-05-17

Please read Cautions and warnings and important notes at the end of this document.

## **X-ON Electronics**

Largest Supplier of Electrical and Electronic Components

*Click to view similar products for [dongchen manufacturer](#):*

Other Similar products are found below :

[BTA16](#) [BTB12](#) [DG3R420LFS](#) [P61089B](#) [BT137](#) [DG3R470L](#) [DG3R090M](#) [DG2R470L](#) [DG2R3000L](#) [DG2R090M](#) [DG2R350L](#) [DG2R1000L](#)  
[DG301A](#) [DG3R420M](#) [DG2R2500L](#) [DG351A](#) [DG401A](#) [DG2R420M](#) [DG2R350S](#) [DG471S](#) [BTA20](#) [DG091A](#) [DG3R090L](#) [DP0640SB](#) [T810](#)  
[DP3500SB](#) [DP3100SB](#) [DP0080SB](#) [DG3R230L](#) [DG2R1500L](#) [DG3R420L](#) [DG2R600L](#) [DG2R090L](#) [BTA12](#) [DG151S](#)