

## Surge arrester

3-Electrode arrester

**Series/Type: DG3R090L**

**Customer:**

**Version/Date: Issue 01/2014-8-5**

**Surge arrester**

**3-Electrode arrester**

**DG3R090L**

Features	Applications
<ul style="list-style-type: none"> <li>● Extremely small size</li> <li>● Extremely fast response time</li> <li>● Stable performance over life</li> <li>● Very low capacitance</li> <li>● High insulation resistance</li> <li>● RoHS-compatible</li> <li>● UL Certification :E311500</li> </ul>	<ul style="list-style-type: none"> <li>● <b>Splitter</b></li> <li>● <b>PCI Cards</b></li> <li>● <b>Morden</b></li> <li>● Line Cards</li> </ul>

**Electrical specifications**

DC breakdown voltage <sup>1)2)</sup>	90 ±20	V %
Impulse breakdown voltage at 1kv/us      Typical values of distribution	≤600	V
Service life 10 operations      8/20us <sup>3)</sup>	10	KA
10 operations      50Hz, 1S <sup>3)</sup>	10	A
Insulation resistance at DC 50V	≥1	GΩ
Capacitance at 1MHz	≤1.5	pF
Storage and operations temperature	-40...+90	°C
Climatic category (IEC60068-1)	40/90/21	
Marking, Blue positive	<b>DG3R090L</b>	



[www.jsdgme.com](http://www.jsdgme.com)

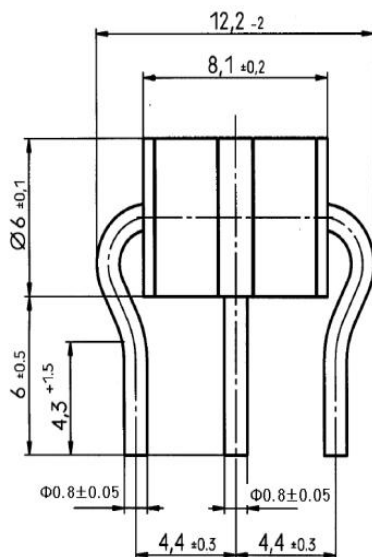
## Surge arrester

### 3-Electrode arrester

DG3R090L

- 1) Sampling size in accordance to AQL0.65 II
- 2) Tests according to ITU-T Rec. K. 12 and IEC61643-311 or GB/T 9043
- 3) Total current through center electrode

#### Dimensions



#### Cautions and warnings

- Surge arresters must not be operated directly in power supply networks, whose maximum operating voltage exceeds the minimum spark-over voltage of the surge arresters.
- Surge arresters may become hot in case of longer periods of current stress (danger of burning).
- If the contacts of the surge arrester are defective, current stress can lead to the formation of sparks and loud noise.
- Surge arresters may be used only within their specified values. In case of overload, the head contacts may fail or the component may be destroyed.
- Damaged surge arresters must not be re-used.

DC Elec.

Issue 01/2014-8-5

Please read Cautions and warnings and important notes at the end of this document.

Page 3 of 3

## **X-ON Electronics**

Largest Supplier of Electrical and Electronic Components

*Click to view similar products for [dongchen manufacturer](#):*

Other Similar products are found below :

[BTA16](#) [BTB12](#) [DG3R420LFS](#) [P61089B](#) [BT137](#) [DG3R470L](#) [DG3R090M](#) [DG2R470L](#) [DG2R3000L](#) [DG2R090M](#) [DG2R350L](#) [DG2R1000L](#)  
[DG301A](#) [DG3R420M](#) [DG2R2500L](#) [DG351A](#) [DG401A](#) [DG2R420M](#) [DG2R350S](#) [DG471S](#) [BTA20](#) [DG091A](#) [DG3R090L](#) [DP0640SB](#) [T810](#)  
[DP3500SB](#) [DP3100SB](#) [DP0080SB](#) [DG3R230L](#) [DG2R1500L](#) [DG3R420L](#) [DG2R600L](#) [DG2R090L](#) [BTA12](#) [DG151S](#)