

## Surge arrester

3-Electrode arrester

**Series/Type: DG3R470L**

**Customer:**

**Version/Date: Issue 01/2013-4-7**

**Surge arrester**

**3-Electrode arrester**

**DG3R470L**

Features	Applications
<ul style="list-style-type: none"> <li>● Extremely small size</li> <li>● Extremely fast response time</li> <li>● Stable performance over life</li> <li>● Very low capacitance</li> <li>● High insulation resistance</li> <li>● RoHS-compatible</li> <li>● UL-identification:E311500</li> </ul>	<ul style="list-style-type: none"> <li>● Splitter</li> <li>● PCI Cards</li> <li>● Morden</li> <li>● Line Cards</li> </ul>

**Electrical specifications**

DC breakdown voltage <sup>1)2)</sup>	470	V
Tolerance	±20	%
Impulse breakdown voltage		
at 1kv/μs                      –For 99% measure values	≤1000	V
Service life		
10 operations                      8/20us	10	KA
10 operations                      50Hz, 1S	10	A
150 operations                     10/1000us	200	A
Insulation resistance at DC100V	≥1	GΩ
Capacitance at 1MHz	≤2	pF
Weight	1.5	g
Storage and operations temperature	-40...+90	°C
Climatic category (IEC60068-1)	40/90/21	
Marking,Blue positive	DG3R470L	



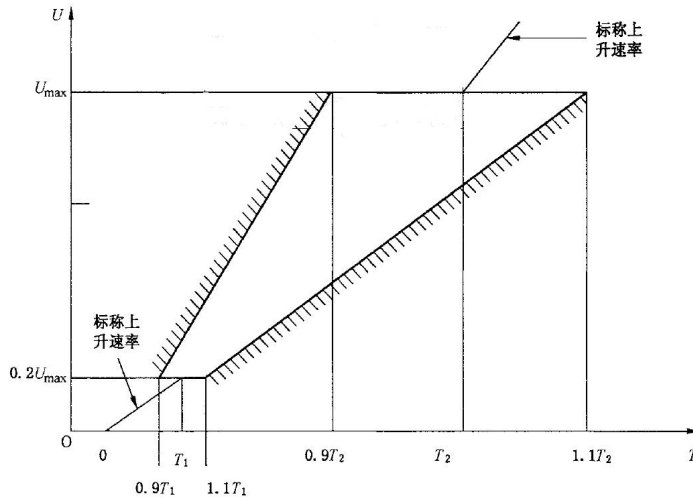
[www.jsdgm.com](http://www.jsdgm.com)

**Surge arrester**

**3-Electrode arrester**

**DG3R470L**

**DC breakdown voltage**



8/20us, Test wave

$$T1=1.25T=8\mu s \pm 20\%$$

$$T2=20\mu s \pm 20\%$$

10/700us, Test Wave

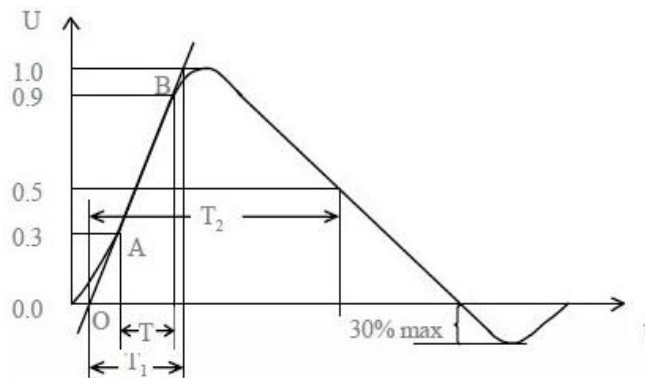
$$T1=1.67T=10\mu s \pm 20\%$$

$$T2=700\mu s \pm 20\%$$

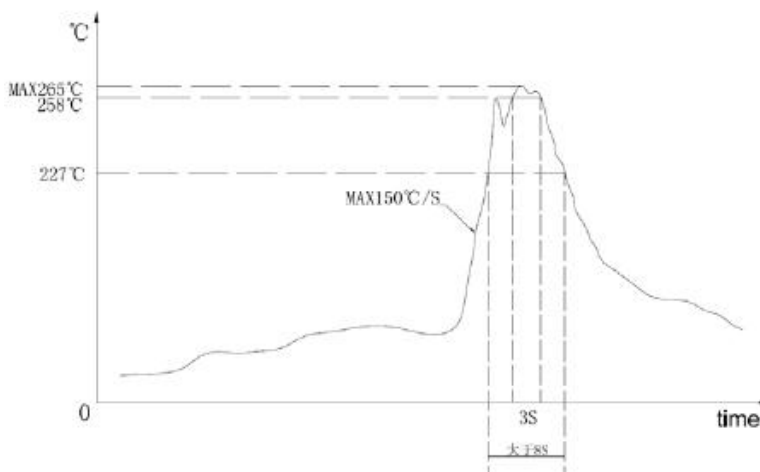
10/1000us, Test Wave

$$T1=1.67T=10\mu s \pm 20\%$$

$$T2=1000\mu s \pm 20\%$$



**Recommended wave soldering profile**



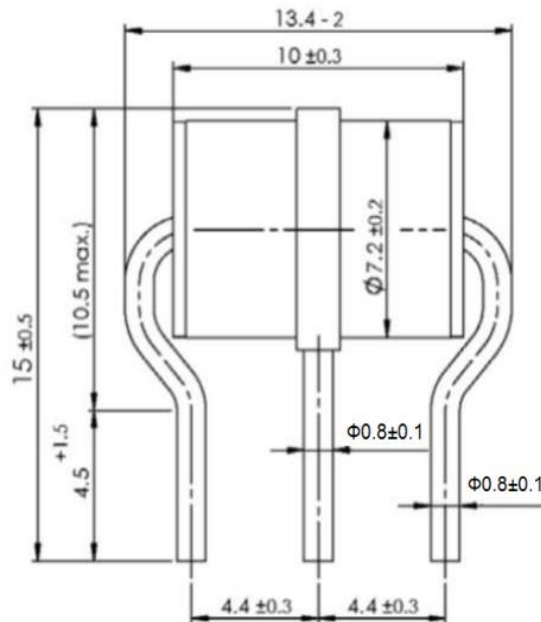
## Surge arrester

### 3-Electrode arrester

DG3R470L

- 1) Sampling size in accordance to AQL(C=0)
- 2) In ionized mode
- 3) Tests according to ITU-T Rec. K. 12 IEC61663-2 and IEC61643-311

### Dimensions



### Cautions and warnings

- Surge arresters must not be operated directly in power supply networks, whose maximum operating voltage exceeds the minimum spark-over voltage of the surge arresters.
- Surge arresters may become hot in case of longer periods of current stress (danger of burning).
- If the contacts of the surge arrester are defective, current stress can lead to the formation of sparks and loud noise.
- Surge arresters may be used only within their specified values. In case of overload, the head contacts may fail or the component may be destroyed.
- Damaged surge arresters must not be re-used.

DC Elec.

Issue 01/2013-4-7

Please read Cautions and warnings and important notes at the end of this document.

## **X-ON Electronics**

Largest Supplier of Electrical and Electronic Components

*Click to view similar products for [dongchen](#) manufacturer:*

Other Similar products are found below :

[BTA16](#) [BTB12](#) [DG3R420LFS](#) [P61089B](#) [BT137](#) [DG3R470L](#) [DG3R090M](#) [DG2R470L](#) [DG2R3000L](#) [DG2R090M](#) [DG2R350L](#) [DG2R1000L](#)  
[DG301A](#) [DG3R420M](#) [DG2R2500L](#) [DG351A](#) [DG401A](#) [DG2R420M](#) [DG2R350S](#) [DG471S](#) [BTA20](#) [DG091A](#) [DG3R090L](#) [DP0640SB](#) [T810](#)  
[DP3500SB](#) [DP3100SB](#) [DP0080SB](#) [DG3R230L](#) [DG2R1500L](#) [DG3R420L](#) [DG2R600L](#) [DG2R090L](#) [BTA12](#) [DG151S](#)