

## **Surge arrester**

2-electrode arrester

**Series/Type: DG471S**

**Order Code:**

**Version/Date: Issue 02/2015-01-24**

**Surge arrester**

**2-Electrode arrester**

**DG471S**

Features	Applications
<ul style="list-style-type: none"> <li>● Extremely small size</li> <li>● Extremely fast response time</li> <li>● Excellent SMD handling</li> <li>● Stable performance over life</li> <li>● Very low capacitance</li> <li>● High insulation resistance</li> <li>● RoHS-compatible</li> <li>● UL-identification, No:E311500</li> </ul>	<ul style="list-style-type: none"> <li>● Splitter</li> <li>● PCI Cards</li> <li>● Morden</li> <li>● Line cards</li> </ul>

**Electrical specifications**

DC breakdown voltage <sup>1) 2)</sup>	470 ±20	V %
Impulse breakdown voltage <sup>1)</sup>		
at 100V/us      -Typical values of distribution	≤850	V
at 1kv/us      -Typical values of distribution	≤900	V
Insulation resistance at DC 100V	≥1	GΩ
Capacitance at 1MHz <sup>2)</sup>	≤0.5	Pf
Service life <sup>3)</sup>		
10 operations                      8/20us	0.5	KA
10 operations                      50Hz	0.5	A
Weight	~0.05	g
Storage and operations temperature	-40...+90	°C
Climatic category (GB/T 9043, IEC61643-1)	40/90/21	
Marking	<b>Without</b>	



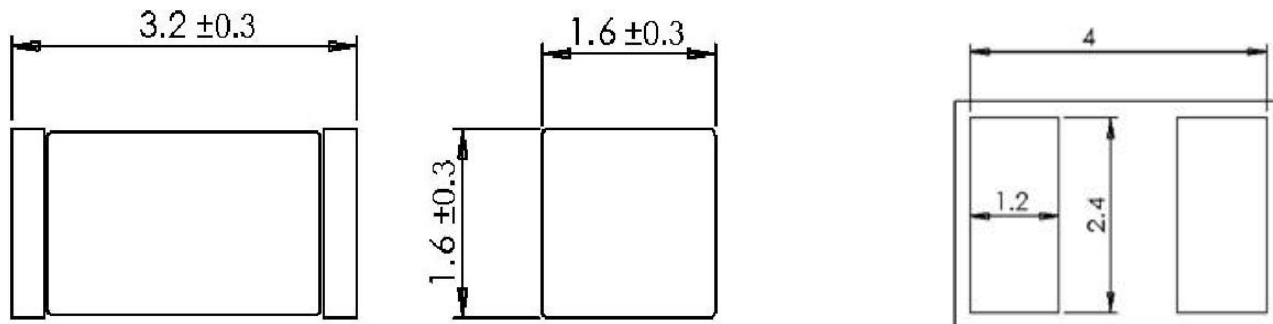
Tel: +86-510-81707285  
Fax: +86-510-81707277  
www.dong-guang.com

**Surge arrester**  
**2-Electrode arrester**

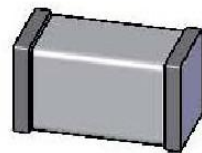
**DG471S**

- 1) At delivery AQL 0.65 level II ,DIN ISO 2859
- 2) In ionized mode
- 3) DC spark-over voltage  $\pm 30\%$  after load  
Tests according to ITU-T Rec. K. 12 and UL 497B  
Terms and current waveforms in accordance with: ITU-T Rec. K. 12; IEC 61643-21 and DIN 57845 / VDE0845

**Dimension**

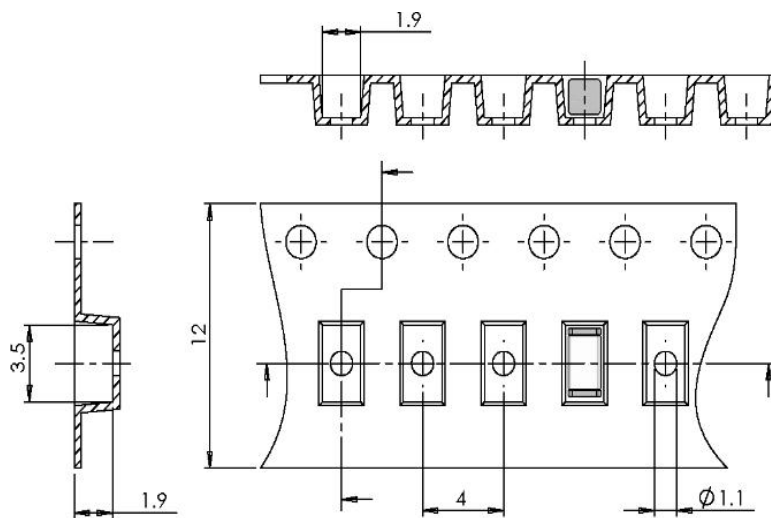


Recommended pad outline



*Dimensions in mm*  
*Tin-plated*

**Packing**



3000pcs on SMD tape

**Cautions and warnings**

- Depending on the incorporation position, the surge arrester may have to be additionally secured by mechanical means.
- Surge arresters must not be operated directly in power supply networks.
- Surge arresters may become hot in case of longer periods of current stress (danger of burning).
- Damaged surge arresters must not be re-used.

## **X-ON Electronics**

Largest Supplier of Electrical and Electronic Components

*Click to view similar products for [dongchen manufacturer](#):*

Other Similar products are found below :

[BTA16](#) [BTB12](#) [DG3R420LFS](#) [P61089B](#) [BT137](#) [DG3R470L](#) [DG3R090M](#) [DG2R470L](#) [DG2R3000L](#) [DG2R090M](#) [DG2R350L](#) [DG2R1000L](#)  
[DG301A](#) [DG3R420M](#) [DG2R2500L](#) [DG351A](#) [DG401A](#) [DG2R420M](#) [DG2R350S](#) [DG471S](#) [BTA20](#) [DG091A](#) [DG3R090L](#) [DP0640SB](#) [T810](#)  
[DP3500SB](#) [DP3100SB](#) [DP0080SB](#) [DG3R230L](#) [DG2R1500L](#) [DG3R420L](#) [DG2R600L](#) [DG2R090L](#) [BTA12](#) [DG151S](#)