

Smart Radio Evaluation Kit (-2H Models)

EK-2450-2H

Overview

The Doodle Labs Evaluation Kit is designed to simplify bench testing and preliminary field testing of Doodle Labs Smart Radios. It contains:

- 2 x 2.4 GHz Antennas
- 2 x Attenuators
- 1 x Ethernet Test Board (for -2H models)
- 2 x MMCX to SMA cables
- 1 x 4 pin cable
- 1 x 12 pin cable
- 1 x Heatsink
- 1 x Thermal Pad

For Design-In Documentation, including Integration and Configuration Guides, please visit Doodle Labs' [Technical Library](#).

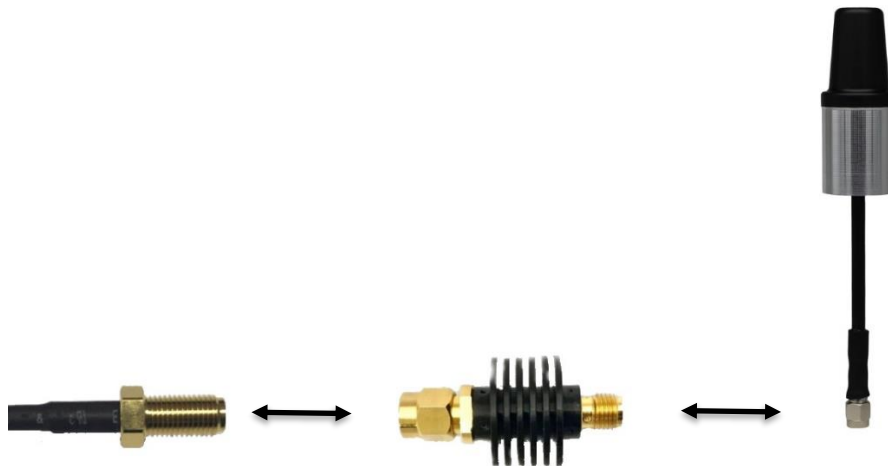
Bench Testing with an Attenuator

The provided attenuators reduce the voltage and dissipate transmit power, optimizing the setup for indoor bench testing. Without the attenuators, testing in close proximity may result in link saturation, which may result in inaccurate results.

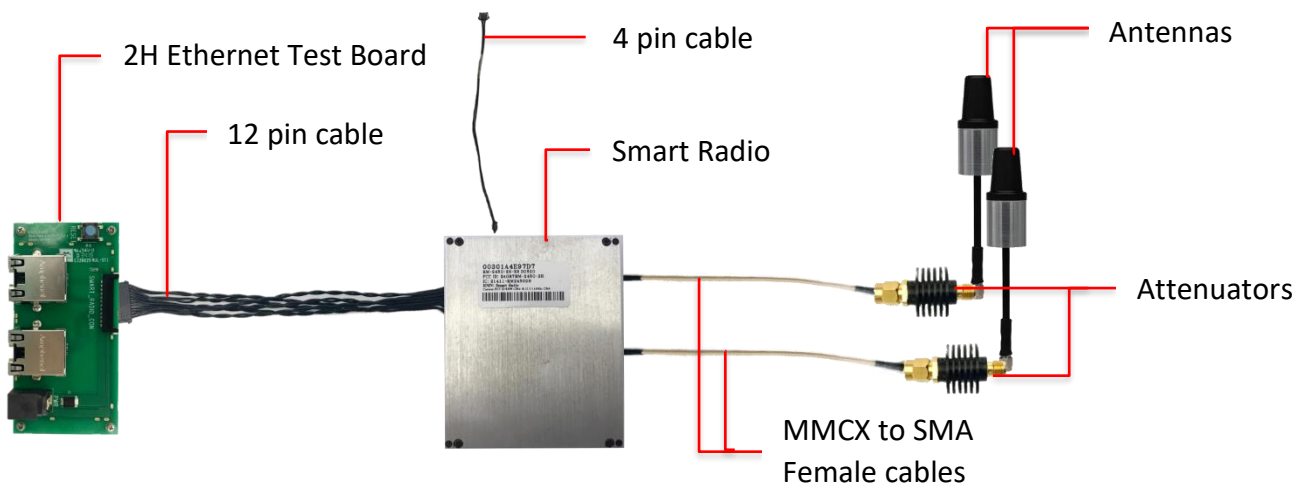
For field testing, attenuators are not recommended as they impede the output performance of the Smart Radio at longer distances.

Steps for Connecting the Attenuator

1. Connect the MMCX Female end of the cable to the MMCX male ports of the Smart Radio.
2. Take the opposite end of the cable and connect it to the SMA port Attenuator.
3. Attach the Antenna to the other end of the Attenuator.



Complete Evaluation Kit Setup



X-ON Electronics

Largest Supplier of Electrical and Electronic Components

Click to view similar products for [RF Development Tools](#) category:

Click to view products by [Doodle Labs](#) manufacturer:

Other Similar products are found below :

[MAAM-011117](#) [MAAP-015036-DIEEV2](#) [EV1HMC1113LP5](#) [EV1HMC6146BLC5A](#) [EV1HMC637ALP5](#) [EVAL-ADG919EBZ](#) [ADL5363-EVALZ](#) [LMV228SDEVAL](#) [SKYA21001-EVB](#) [SMP1331-085-EVB](#) [EV1HMC618ALP3](#) [EVAL01-HMC1041LC4](#) [MAAL-011111-000SMB](#) [MAAM-009633-001SMB](#) [MASW-000936-001SMB](#) [107712-HMC369LP3](#) [107780-HMC322ALP4](#) [SP000416870](#) [EV1HMC470ALP3](#) [EV1HMC520ALC4](#) [EV1HMC244AG16](#) [MAX2614EVKIT#](#) [124694-HMC742ALP5](#) [SC20ASATEA-8GB-STD](#) [MAX2837EVKIT+](#) [MAX2612EVKIT#](#) [MAX2692EVKIT#](#) [EV1HMC629ALP4E](#) [SKY12343-364LF-EVB](#) [108703-HMC452QS16G](#) [EV1HMC863ALC4](#) [EV1HMC427ALP3E](#) [119197-HMC658LP2](#) [EV1HMC647ALP6](#) [ADL5725-EVALZ](#) [106815-HMC441LM1](#) [EV1HMC1018ALP4](#) [UXN14M9PE](#) [MAX2016EVKIT](#) [EV1HMC939ALP4](#) [MAX2410EVKIT](#) [MAX2204EVKIT+](#) [EV1HMC8073LP3D](#) [SIMSA868-DKL](#) [SIMSA868C-DKL](#) [SKY65806-636EK1](#) [SKY68020-11EK1](#) [SKY67159-396EK1](#) [SKY66181-11-EK1](#) [SKY65804-696EK1](#)