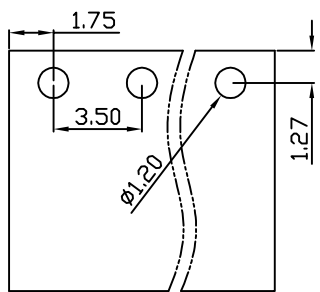
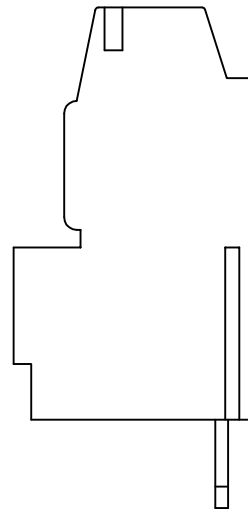
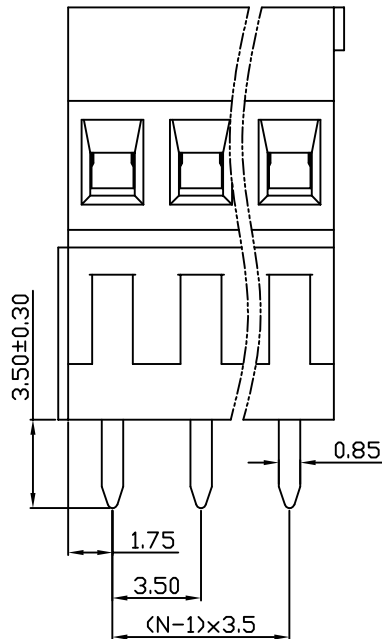
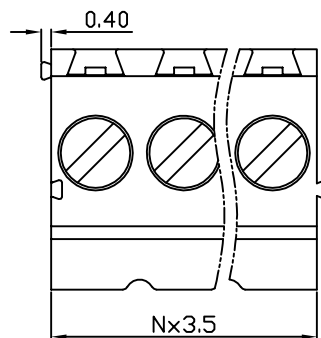
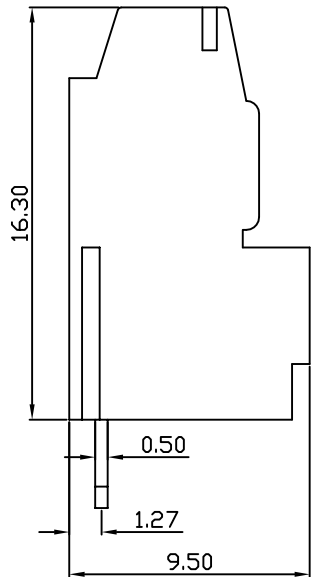


linear dimension(Tolerances Standard GB/T 14486-2008)								—	$\nabla$	$\perp$
variable range	to 6	over 6 to 10	over 10 to 30	over 30 to 60	over 60 to 100	over 100 to 160	over 160 to	to 10	over 10 to 100	over 100 to
tolerance	±0.20	±0.30	±0.50	±0.70	±1.00	±1.30	±1.60	0.10	0.30	0.60



PCB Layout



DB125H — 3.5 — XXP — C — S/P  
 (Series No.) (Pitch) (Poles) Slotted/Phillips  
 (Color) : 1.(Green) 2.(Black) 3.(Blue) 4.(Clear) 5.(Gray)  
 6.(Orange) 7.(Red) 8.(White) 9.(Yellow)

APPD: JTING Chen 2022.7.21  
 CHKD: Duck Mao 2022.7.21  
 DRFT: Steven Lu 2022.7.21

UL/CUL 技术参数	UL/CUL Technical Data			UL/CUL		
等级 Use Group	B	C	D			
额定电压 Rated Voltage [V]	300	-	300			
额定电流 Rated Current [A]	10	-	10			
接线范围 Wire Range	28-16					
单/多芯线 Solid/Stranded [AWG]						
耐电压 Withstanding Voltage	1600V/1Min					
IEC 技术参数	IEC Technical Data			IEC		
过电压类别 Overvoltage Category	III	III	II			
污染等级 Contamination Class	3	2	2			
额定电压 Rated Voltage [V]	160	200	400			
额定电流 Rated Current [A]	13.5	13.5	13.5			
额定冲击电压 Impulse withstand voltagea [KV]	2.5	2.5	2.5			
导线截面积 Conductor cross section	1.0					
硬质/柔性导线 Solid/flexible [mm <sup>2</sup> ]						
材料 Material						
绝缘材料 Insulation Material	PA66					
阻燃等级 Imflammability	UL94V-0					
导体材料 Contactor Material	铜合金 Copper alloy					
导体表面镀层 Contactive Coating	镀锡 Sn Plated					
一般参数 Other Data						
间距 Pitch [mm]	3.5					
极数 Poles [P]	02-24					
剥线长度 Stripping Length [mm]	4-5					
螺丝 Screw/扭矩 Torque(Max) [N.m]	M2/0.2					
工作温度 Operating temperatur [°C]	-40~+105					
引针尺寸 Pin Dimensions [mm]	0.50x0.85					
PCB板孔径 PCB Hole Diameter [mm]	1.20					

**DORABO** 宁波地博电气有限公司  
 Ningbo Dorabo Electric CO., Ltd

NAME: DB125H-3.5-XXP-C-S

$\oplus$	SIZE: A4	mm (inch)	REV	T0-1
TYPE: CUSTOMER_DRAWING	SCALE: 1:1	SHEET	1/1	

## X-ON Electronics

Largest Supplier of Electrical and Electronic Components

*Click to view similar products for [Pluggable Terminal Blocks](#) category:*

*Click to view products by [DORABO](#) manufacturer:*

Other Similar products are found below :

[57.510.0053](#) [721-104/026-047](#) [721-204/026-045](#) [MC 1.5/ 6-ST-3.5 GY AU](#) [ET02015000J0G](#) [860505](#) [860516](#) [860810](#) [GBPACX-12](#)  
[93.731.4953.0](#) [PVP03-3,50](#) [PVS02-5,00](#) [1-1986160-3](#) [1377680000](#) [1531000000](#) [1546228-5](#) [ELFP03110](#) [ELFP10210](#) [ELFT07250](#)  
[ELVD12100](#) [ELVF09400](#) [ELXH071G0E](#) [1725220000](#) [1760336](#) [1855000000](#) [19346](#) [1946309](#) [1973592](#) [19892](#) [25.320.4053.1](#) [25.320.4553.9](#)  
[25.320.4753.1](#) [25.320.5453.1](#) [25.340.0353.1](#) [25.340.1053.1](#) [25.345.3553.0M001](#) [25.640.3553.1](#) [SH02-5,08](#) [SH06-3,81](#) [SH08-5,08](#) [SH08-](#)  
[5,08-K](#) [SH12-5,08](#) [SHS04-5,00](#) [30.303](#) [30.305](#) [30.306](#) [PHP09-5,08](#) [25.193.0453.0](#) [25.320.4653.1](#) [25.332.2453.1](#)