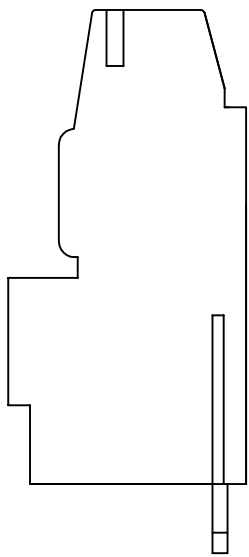
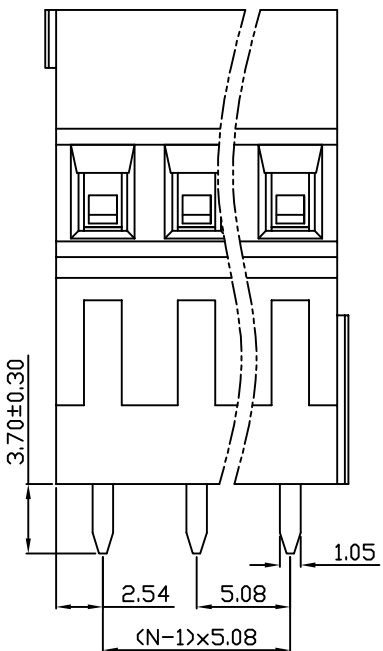
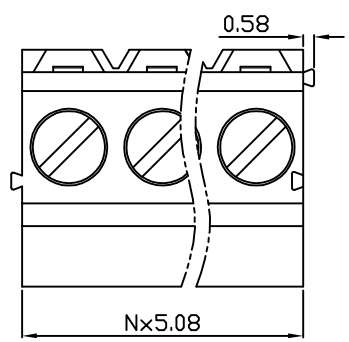
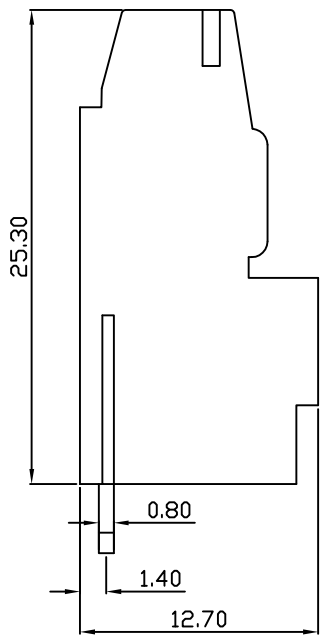
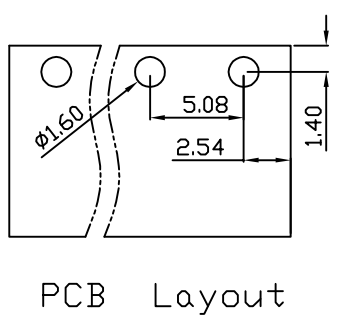


linear dimension(Tolerances Standard GB/T 14486-2008)								—	∇	\perp
variable range	to 6	over 6 to 10	over 10 to 30	over 30 to 60	over 60 to 100	over 100 to 160	over 160 to	to 10	over 10 to 100	over 100 to
tolerance	±0.20	±0.30	±0.50	±0.70	±1.00	±1.30	±1.60	0.10	0.30	0.60



UL/CUL 技术参数		UL/CUL Technical Data		
等级 Use Group		B	C	D
额定电压 Rated Voltage [V]		300	-	300
额定电流 Rated Current [A]		16	-	10
接线范围 Wire Range		22-12		
单/多芯线 Solid/Stranded [AWG]				
耐电压 Withstanding Voltage		1600V/1Min		
IEC 技术参数		IEC Technical Data		
过电压类别 Overvoltage Category		III	III	II
污染等级 Contamination Class		3	2	2
额定电压 Rated Voltage [V]		250	400	630
额定电流 Rated Current [A]		24	24	24
额定冲击电压 Impulse withstand voltagea [KV]		4	4	4
导线截面积 Conductor cross section		2.5		
硬质/柔性导线 Solid/flexible [mm ²]				
材料 Material				
绝缘材料 Insulation Material		PA66		
阻燃等级 Inflammability		UL94V-0		
导体材料 Contactor Material		铜合金 Copper alloy		
导体表面镀层 Contactive Coating		镀锡 Sn Plated		
一般参数 Other Data				
间距 Pitch [mm]		5.08		
极数 Poles [P]		02-24		
剥线长度 Stripping Length [mm]		6-7		
螺丝 Screw/扭矩 Torque(Max) [N.m]		M2.5/0.4		
工作温度 Operating temperatur [°C]		-40~+105		
引针尺寸 Pin Dimensions [mm]		0.80x1.05		
PCB板孔径 PCB Hole Diameter [mm]		1.60		

DB128H — 5.08 — XXP — C — S/P

(Series No.) (Pitch) (Poles) Slotted/Phillips

(Color) : 1.(Green) 2.(Black) 3.(Blue) 4.(Clear) 5.(Gray) 6.(Orange) 7.(Red) 8.(White) 9.(Yellow)

DORABO

宁波地博电气有限公司
Ningbo Dorabo Electric CO., Ltd

NAME:	DB128H-5.08-XXP-C-S			
SIZE: A4	mm (inch)	REV	TO-1	
TYPE: CUSTOMER_DRAWING	SCALE: 1:1	SHEET	1/1	

APPD: J.Ting Chen	2022.4.6
CHKD: Duck Mao	2022.4.6
DRFT: Steven Lu	2022.4.6

X-ON Electronics

Largest Supplier of Electrical and Electronic Components

Click to view similar products for [Fixed Terminal Blocks](#) category:

Click to view products by [DORABO](#) manufacturer:

Other Similar products are found below :

[MBE-1512](#) [MBE-1520](#) [MBE-154](#) [MBE-156](#) [MBES-156](#) [MH-2512](#) [MHE-132](#) [MHE-163](#) [MI-254 \(35\)](#) [MPT-275](#) [ELM10110G](#) [BA311TU](#)
[BA411SU](#) [MV-254-D](#) [MV-255](#) [MV-493](#) [MVE-252](#) [MVE-253](#) [MVEB-153](#) [1705142](#) [1-796689-8](#) [1841320000](#) [S451](#) [29.007](#) [29.116](#) [30.204](#)
[30.503](#) [30.756](#) [30.853](#) [9872-0-00-15-00-00-33-0](#) [996750](#) [1710052](#) [20020316-G071B01LF](#) [20020327-C061B01LF](#) [29590](#) [30.652](#) [30.710](#)
[30.754](#) [30.757](#) [32.058](#) [37.206](#) [37.208](#) [37.507](#) [37.558](#) [38331-5812](#) [38331-8018](#) [38540-1910](#) [39.002](#) [MBE-1517](#) [MBE-153](#)