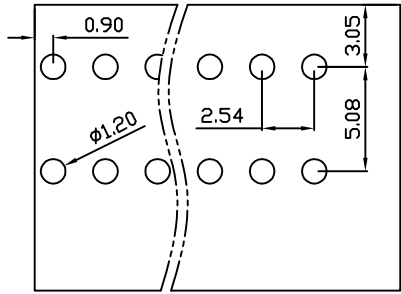
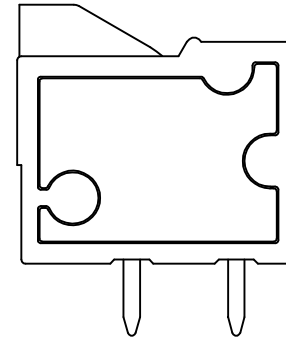
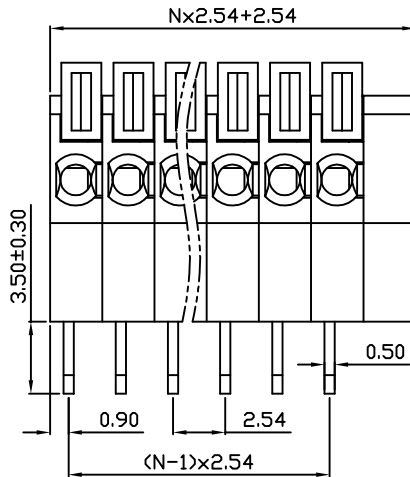
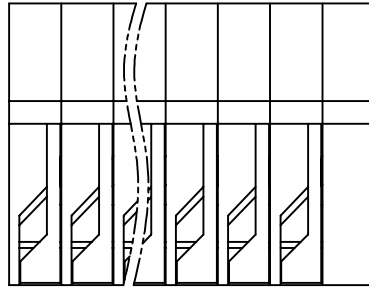
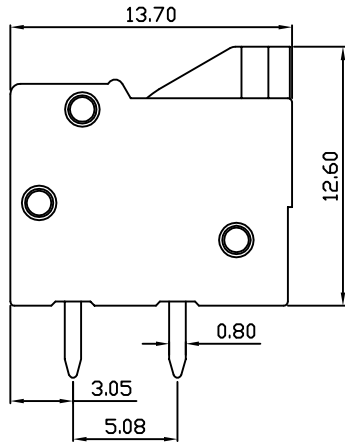


| linear dimension(Tolerances Standard GB/T 14486-2008) |       |              |               |               |                |                 |             | —     | $\nabla$       | $\perp$     |
|---|-------|--------------|---------------|---------------|----------------|-----------------|-------------|-------|----------------|-------------|
| variable range  | to 6  | over 6 to 10 | over 10 to 30 | over 30 to 60 | over 60 to 100 | over 100 to 160 | over 160 to | to 10 | over 10 to 100 | over 100 to |
| tolerance   | ±0.20 | ±0.30        | ±0.50         | ±0.70         | ±1.00          | ±1.30           | ±1.60       | 0.10  | 0.30           | 0.60        |



PCB Layout



DB141R — 2.54 — XXP — C  
 (Series No.) (Pitch) (Poles)

(Color):GN:(Green), BK:(Black), BU:(Blue), RD:(Red), GY:(Gray)  
 OG:(Orange), WT:(White), YL:(Yellow), CR:(Clear)

APPD: JTING Chen 2023.07.11  
 CHKD: Duck Mao 2023.07.11  
 DRFT: Steven Lu 2023.07.11

| UL/CUL 技术参数                               | UL/CUL Technical Data |     |     |
|---|-----------------------|-----|-----|
| 等级 Use Group                              | B                     | C   | D   |
| 额定电压 Rated Voltage [V]                    | 150                   | -   | -   |
| 额定电流 Rated Current [A]                    | 4                     | -   | -   |
| 接线范围 Wire Range                           | 26-18                 |     |     |
| 单/多芯线 Solid/Stranded [AWG]                |                       |     |     |
| 耐电压 Withstanding Voltage                  | 1300V/1Min            |     |     |
| IEC 技术参数                                  | IEC Technical Data    |     |     |
| 过电压类别 Overvoltage Category                | III                   | III | II  |
| 污染等级 Contamination Class                  | 3                     | 2   | 2   |
| 额定电压 Rated Voltage [V]                    | 63                    | 160 | 320 |
| 额定电流 Rated Current [A]                    | 6                     | 6   | 6   |
| 额定冲击电压 Impulse withstand voltagea [KV]    | 2.5                   | 2.5 | 2.5 |
| 导线截面积 Conductor cross section             | 0.5                   |     |     |
| 硬质/柔性导线 Solid/flexible [mm <sup>2</sup> ] |                       |     |     |
| 材料 Material                               |                       |     |     |
| 绝缘材料 Insulation Material                  | PA66                  |     |     |
| 阻燃等级 Inflammability                       | UL94V-0               |     |     |
| 导体材料 Contactor Material                   | 铜合金 Copper alloy      |     |     |
| 导体表面镀层 Contactive Coating                 | 镀锡 Sn Plated          |     |     |
| 一般参数 Other Data                           |                       |     |     |
| 间距 Pitch [mm]                             | 2.54                  |     |     |
| 极数 Poles [P]                              | 01-24                 |     |     |
| 剥线长度 Stripping Length [mm]                | 11                    |     |     |
| 螺丝 Screw/扭矩 Torque(Max) [N.m]             | -                     |     |     |
| 工作温度 Operating temperatur [°C]            | -40~+105              |     |     |
| 引针尺寸 Pin Dimensions [mm]                  | 0.80x0.50             |     |     |
| PCB板孔径 PCB Hole Diameter [mm]             | 1.20                  |     |     |

**DORABO** 宁波地博电气有限公司  
 Ningbo Dorabo Electric CO., Ltd

NAME: DB141R-2.54-XXP-C

|                          |            |           |     |      |
|--------------------------|------------|-----------|-----|------|
| $\oplus$ $\triangleleft$ | SIZE: A4   | mm (inch) | REV | T0-1 |
| TYPE: CUSTOMER_DRAWING   | SCALE: 1:1 | SHEET     | 1/1 |      |

## X-ON Electronics

Largest Supplier of Electrical and Electronic Components

*Click to view similar products for [Fixed Terminal Blocks](#) category:*

*Click to view products by [DORABO](#) manufacturer:*

Other Similar products are found below :

[MBE-1512](#) [MBE-1520](#) [MBE-154](#) [MBE-156](#) [MBES-156](#) [MH-2512](#) [MHE-132](#) [MHE-163](#) [MI-254 \(35\)](#) [MPT-275](#) [ELM10110G](#) [BA311TU](#)  
[BA411SU](#) [MV-254-D](#) [MV-255](#) [MV-493](#) [MVE-252](#) [MVE-253](#) [MVEB-153](#) [1705142](#) [1-796689-8](#) [1841320000](#) [S451](#) [29.007](#) [29.116](#) [30.204](#)  
[30.503](#) [30.756](#) [30.853](#) [9872-0-00-15-00-00-33-0](#) [996750](#) [1710052](#) [20020316-G071B01LF](#) [20020327-C061B01LF](#) [29590](#) [30.652](#) [30.710](#)  
[30.754](#) [30.757](#) [32.058](#) [37.206](#) [37.208](#) [37.507](#) [37.558](#) [38331-5812](#) [38331-8018](#) [38540-1910](#) [39.002](#) [MBE-1517](#) [MBE-153](#)