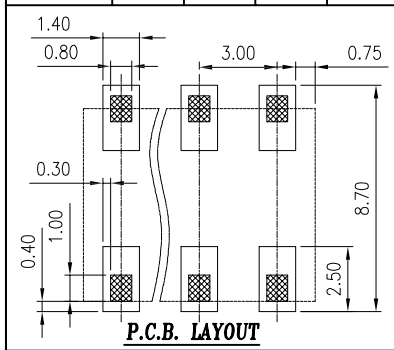
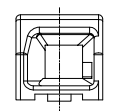
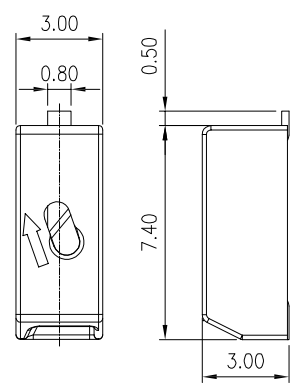


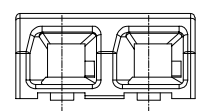
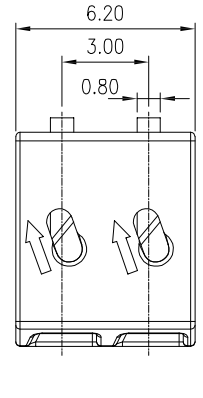
linear dimension(Tolerances Standard GB/T 14486-2008)								—		
variable range	to 6	over 6 to 10	over 10 to 30	over 30 to 60	over 60 to 100	over 100 to 160	over 160 to	to 10	over 10 to 100	over 100 to
tolerance	±0.20	±0.30	±0.50	±0.70	±1.00	±1.30	±1.60	0.10	0.30	0.60



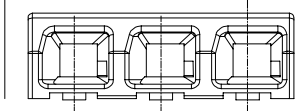
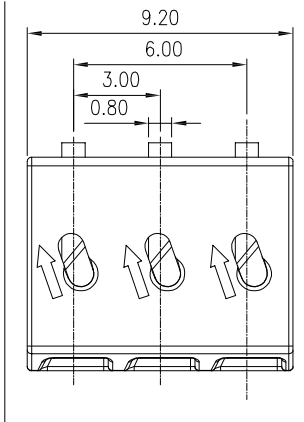
01P



02P



03P



UL/CUL 技术参数				
UL/CUL Technical Data				
等级 Use Group	1P	-	2-3P	
额定电压 Rated Voltage [V]	600	-	300	
额定电流 Rated Current [A]	3	-	3	
接线范围 Wire Range	26-22			
单/多芯线 Solid/Stranded [AWG]				
耐电压 Withstanding Voltage	1200V/1Min			
IEC 技术参数				
IEC Technical Data				
过电压类别 Overvoltage Category	III	///	II	
污染等级 Contamination Class	3	2	2	
额定电压 Rated Voltage [V]	32	160	160	
额定电流 Rated Current [A]	3	3	3	
额定冲击电压 Impulse withstand voltagea [KV]	2.5	2.5	2.5	
导线截面积 Conductor cross section	0.14-0.34			
硬质/柔性导线 Solid/ flexible [mm ²]				
材料 Material				
绝缘材料 Insulation Material	PA66			
阻燃等级 Inflammability	UL94V-0			
导体材料 Contactor Material	铜合金 Copper alloy			
导体表面镀层 Contactive Coating	镀锡 Tin Plated			
一般参数 Other Data				
间距 Pitch [mm]	3.0			
极数 Poles [P]	1~3			
剥线长度 Stripping Length [mm]	5.5-6.5			
螺丝 Screw/扭矩 Torque(Max) [N.m]	-			
工作温度 Operating temperatur [°C]	-40~+105			
引针尺寸 Pin Dimensions [mm]	-			
PCB板孔径 PCB Hole Diameter [mm]	-			

DB2050 — 3.0 — XXP — C

(Series No.) (Pitch) (Poles)

(Color) : GN:(Green) , BK:(Black) , BU:(Blue) , RD:(Red) , GY:(Gray)
OG:(Orange) , WT:(White) , YL:(Yellow) , CR:(Clear)

APPD: JTING Chen 2022.4.6
CHKD: Duck Mao 2022.4.6
DRFT: Steven Lu 2022.4.6

DORABO 宁波地博电气有限公司
Ningbo Dorabo Electric CO., Ltd

NAME: DB2052-3.0-XXP-C

TYPE: CUSTOMER_DRAWING

SIZE: A4

SCALE: 1:1

REV: T0-1

SHEET: 1/1

X-ON Electronics

Largest Supplier of Electrical and Electronic Components

Click to view similar products for [Fixed Terminal Blocks](#) category:

Click to view products by [DORABO](#) manufacturer:

Other Similar products are found below :

[MBE-1512](#) [MBE-1520](#) [MBE-154](#) [MBE-156](#) [MBES-156](#) [MH-2512](#) [MHE-132](#) [MHE-163](#) [MI-254 \(35\)](#) [MPT-275](#) [ELM10110G](#) [BA311TU](#)
[BA411SU](#) [MV-254-D](#) [MV-255](#) [MV-493](#) [MVE-252](#) [MVE-253](#) [MVEB-153](#) [1705142](#) [1-796689-8](#) [1841320000](#) [S451](#) [29.007](#) [29.116](#) [30.204](#)
[30.503](#) [30.756](#) [30.853](#) [9872-0-00-15-00-00-33-0](#) [996750](#) [1710052](#) [20020316-G071B01LF](#) [20020327-C061B01LF](#) [29590](#) [30.652](#) [30.710](#)
[30.754](#) [30.757](#) [32.058](#) [37.206](#) [37.208](#) [37.507](#) [37.558](#) [38331-5812](#) [38331-8018](#) [38540-1910](#) [39.002](#) [MBE-1517](#) [MBE-153](#)