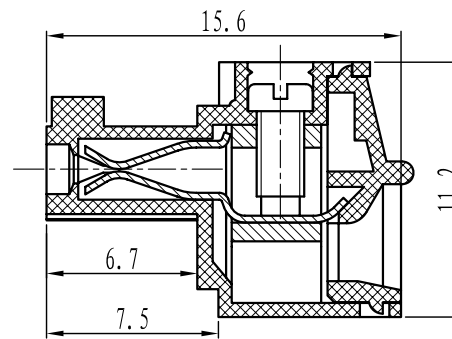
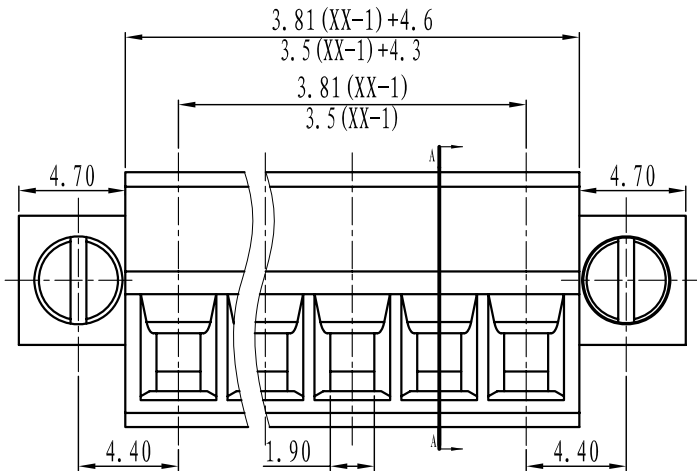


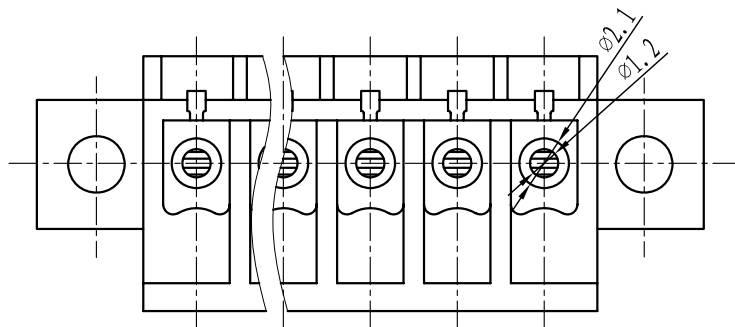


Cixi Dibo Electronics Co.,LTD

产品规格书
product specification



SECTION A-A



TOLERANCES EXCEPT AS NOTED

variable range	linear dimension				fillet	chamfer	short angle sid			≡	—	□	//	⊥			
	to	over	to	over	to	to	to	to	to								
to 6	6	30	120	480	all	to 6	to 10	to 30'	to 10	to 50	to 120	all	to 5	to 30	to 120		
tolerance	±0.1	±0.2	±0.3	±0.5	±0.9	±0.2	±0.5	±1	1°	30'	20'	10'	0.5	0.025	0.06	0.12	0.4

电气性能/Electrical

参考标准/Standard: UL IEC
 额定电压/Rated voltage: 300V 250V
 额定电流/Rated current: 8A 10A
 接触电阻/Contact resistance: 20mΩ
 使用线径/Wire range: 28-16AWG 1.5mm²
 耐电压/Withstanding voltage: AC2000V/1Min
 绝缘电阻/Insulation resistance: 500MΩ/DC500V

机械性能/Mechanical

温度范围/Temp.Range: -40° C~+105° C
 扭矩/Torque: 0.2Nm(1.71lb`in)
 剥线长度/Strip length: 6-7mm

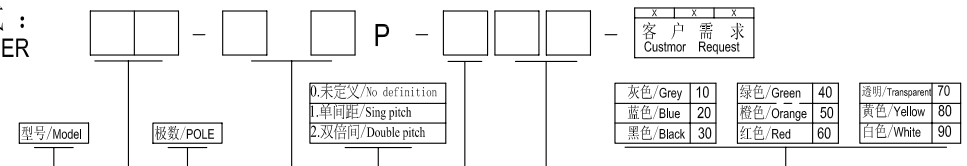
尺寸/Dimensions

间距/Pitch: 3.81mm/3.5mm
 极数/Poles: 2P-24P

材质及电镀/Material

塑件/Housing: PA66, UL94V-0
 螺丝/Screws: M2, steel Zinc plated
 固定螺丝/Screws: M2.5, steel Zinc plated
 方块/Wire guard: Brass, Ni plated
 夹子/Clamp: Phosphor bronze, Ni plated

订购方式:
HOW TO ORDER



单位/UNITS	mm	尺寸/SIZE	A4	比例/SCALE	第一视角/FIRST ANGLE PROJECTION	
Cixi Dibo Electronics Co.,LTD					名称/NAME	DB2EKM-3.81

X-ON Electronics

Largest Supplier of Electrical and Electronic Components

Click to view similar products for [Pluggable Terminal Blocks](#) category:

Click to view products by [DORABO](#) manufacturer:

Other Similar products are found below :

[57.510.0053](#) [721-104/026-047](#) [721-204/026-045](#) [MC 1.5/ 6-ST-3.5 GY AU](#) [ET02015000J0G](#) [860505](#) [860516](#) [860810](#) [GBPACX-12](#)
[93.731.4953.0](#) [PVP03-3,50](#) [PVS02-5,00](#) [1-1986160-3](#) [1377680000](#) [1531000000](#) [1546228-5](#) [ELFP03110](#) [ELFP10210](#) [ELFT07250](#)
[ELVD12100](#) [ELVF09400](#) [ELXH071G0E](#) [1725220000](#) [1760336](#) [1855000000](#) [19346](#) [1946309](#) [1973592](#) [19892](#) [25.320.4053.1](#) [25.320.4553.9](#)
[25.320.4753.1](#) [25.320.5453.1](#) [25.340.0353.1](#) [25.340.1053.1](#) [25.345.3553.0M001](#) [25.640.3553.1](#) [SH02-5,08](#) [SH06-3,81](#) [SH08-5,08](#) [SH08-](#)
[5,08-K](#) [SH12-5,08](#) [SHS04-5,00](#) [30.303](#) [30.305](#) [30.306](#) [PHP09-5,08](#) [25.193.0453.0](#) [25.320.4653.1](#) [25.332.2453.1](#)