



Cixi Dibo Electronics Co., LTD

产品规格书
product specification

电气性能/Electrical

参考标准/Standard: UL IEC
 额定电压/Rated voltage: 300V 250V
 额定电流/Rated current: 8A 10A
 接触电阻/Contact resistance: 20m Ω

耐电压/Withstanding voltage: AC2000V/1Min

绝缘电阻/Insulation resistance: 500M Ω /DC500V

机械性能/Mechanical

温度范围/Temp.Range: -40° C~+105° C

瞬间温度/MAX Soldering: +250° C, for 5 Sec

尺寸/Dimensions

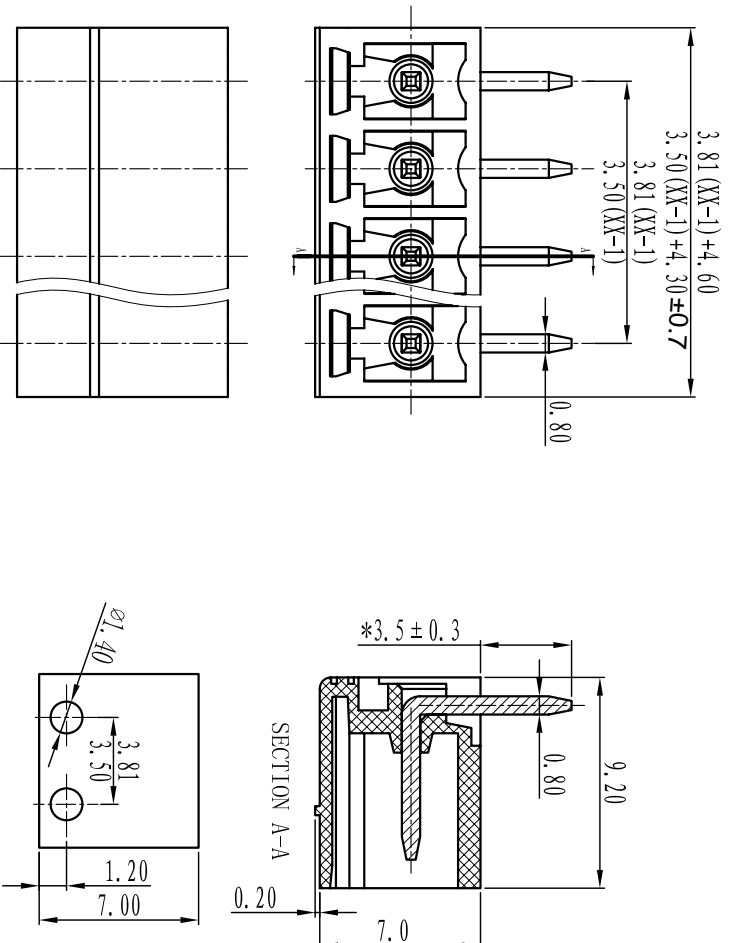
间距/Pitch: 3.81mm/3.50mm

极数/Poles: 2P-24P

材质及电镀/Material

塑件/Housing: PA66, UL94V-0

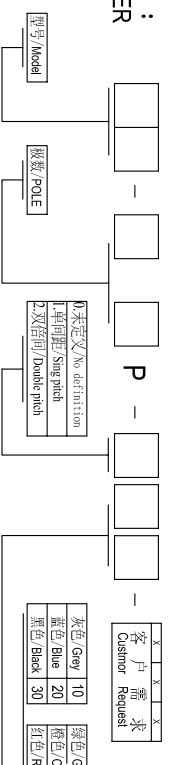
焊针/Pin header: Brass, Tin plated



TOLERANCES EXCEPT AS NOTED

	linear dimension	fillet	chamfer	short angle sid	—	□	//	┴
variable range	over 6 to 6	over 30 to 120	over 480 to 480	all to 6	over 6 to 6	over 10 to 10	over 50 to 50	over 120 to 120
tolerance	±0.1	±0.2	±0.3	±0.5	±0.9	±0.2	±0.5	±1

订购方式: HOW TO ORDER



单位/UNITS mm 尺寸/SIZE A4 比例/SCALE

Cixi Dibo Electronics Co., LTD

第一视角/FIRST ANGLE PROJECTION



名称/NAME DB2ERC-3.81/3.5

X-ON Electronics

Largest Supplier of Electrical and Electronic Components

Click to view similar products for [Pluggable Terminal Blocks](#) category:

Click to view products by [DORABO](#) manufacturer:

Other Similar products are found below :

[57.510.0053](#) [721-104/026-047](#) [721-204/026-045](#) [MC 1.5/ 6-ST-3.5 GY AU](#) [ET02015000J0G](#) [860505](#) [860516](#) [860810](#) [GBPACX-12](#)
[93.731.4953.0](#) [PVP03-3,50](#) [PVS02-5,00](#) [1-1986160-3](#) [1377680000](#) [1531000000](#) [1546228-5](#) [ELFP03110](#) [ELFP10210](#) [ELFT07250](#)
[ELVD12100](#) [ELVF09400](#) [ELXH071G0E](#) [1725220000](#) [1760336](#) [1855000000](#) [19346](#) [1946309](#) [1973592](#) [19892](#) [25.320.4053.1](#) [25.320.4553.9](#)
[25.320.4753.1](#) [25.320.5453.1](#) [25.340.0353.1](#) [25.340.1053.1](#) [25.345.3553.0M001](#) [25.640.3553.1](#) [SH02-5,08](#) [SH06-3,81](#) [SH08-5,08](#) [SH08-](#)
[5,08-K](#) [SH12-5,08](#) [SHS04-5,00](#) [30.303](#) [30.305](#) [30.306](#) [PHP09-5,08](#) [25.193.0453.0](#) [25.320.4653.1](#) [25.332.2453.1](#)