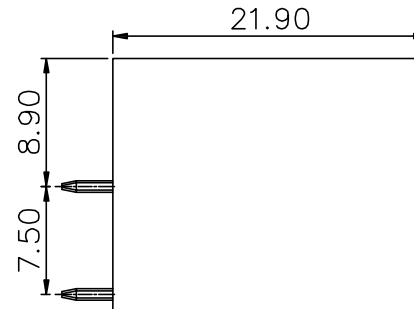
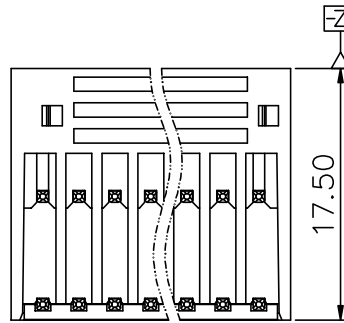
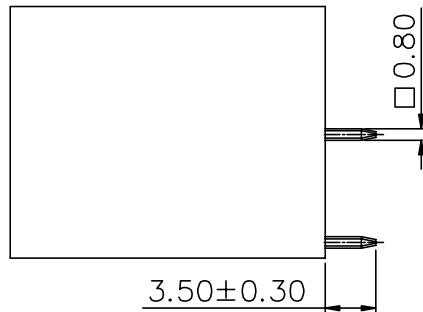
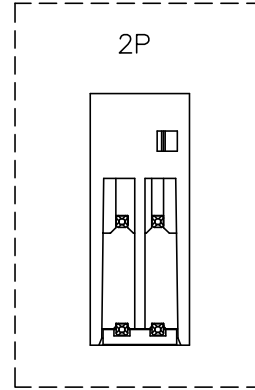
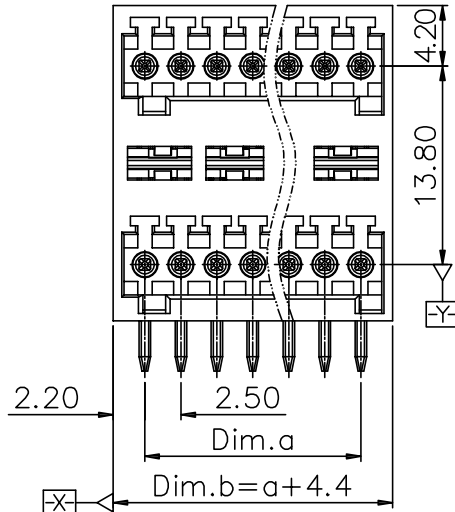
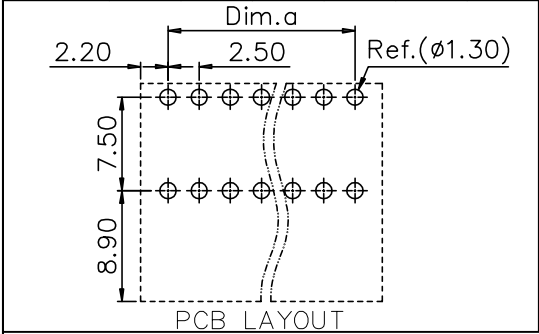


| linear dimension(Tolerances Standard GB/T 14486-2008) | | | | | | | | — | ∇ | \perp |
|---|-------|--------------|---------------|---------------|----------------|-----------------|-------------|-------|----------------|-------------|
| variable range | to 6 | over 6 to 10 | over 10 to 30 | over 30 to 60 | over 60 to 100 | over 100 to 160 | over 160 to | to 10 | over 10 to 100 | over 100 to |
| tolerance | ±0.20 | ±0.30 | ±0.50 | ±0.70 | ±1.00 | ±1.30 | ±1.60 | 0.10 | 0.30 | 0.60 |



| UL/CUL 技术参数 | UL/CUL Technical Data | | | cRUus | | |
|--------------------|-----------------------------------|------------------|-----|-------|--|--|
| 等级 | Use Group | B | C | D | | |
| 额定电压 | Rated Voltage [V] | 125 | - | - | | |
| 额定电流 | Rated Current [A] | 4 | - | - | | |
| 接线范围 | Wire Range | - | | | | |
| 单/多芯线 | Solid/Stranded [AWG] | - | | | | |
| 耐电压 | Withstanding Voltage | 1300V/1Min | | | | |
| IEC 技术参数 | | | | | | |
| IEC Technical Data | | | | | | |
| 过电压类别 | Overvoltage Category | III | III | II | | |
| 污染等级 | Contamination Class | 3 | 2 | 2 | | |
| 额定电压 | Rated Voltage [V] | - | 160 | 320 | | |
| 额定电流 | Rated Current [A] | - | 2.5 | 2.5 | | |
| 额定冲击电压 | Impulse withstand voltagea [KV] | 4 | 4 | 4 | | |
| 导线截面积 | Conductor cross section | - | | | | |
| 硬质/柔性导线 | Solid/flexible [mm ²] | - | | | | |
| 材料 | | | | | | |
| 绝缘材料 | Insulation Material | PA66 | | | | |
| 阻燃等级 | Imflammability | UL94V-0 | | | | |
| 导体材料 | Contact Material | 铜合金 Copper alloy | | | | |
| 导体表面镀层 | Contactive Coating | 镀锡 Sn Plated | | | | |
| 一般参数 | | | | | | |
| 间距 | Pitch [mm] | 2.5 | | | | |
| 极数 | Poles [P] | 02-24 | | | | |
| 剥线长度 | Stripping Length [mm] | - | | | | |
| 螺丝 | Screw/扭矩 Torque(Max) [N.m] | - | | | | |
| 工作温度 | Operating temperatur [°C] | -40~+105 | | | | |
| 引针尺寸 | Pin Dimensions [mm] | - | | | | |
| PCB板孔径 | PCB Hole Diameter [mm] | 1.30 | | | | |

DB2ERH — 2.5 — XXP — C

(Series No.) (Pitch) (Poles)

(Color) : GN:(Green), BK:(Black), BU:(Blue), RD:(Red), GY:(Gray)
OG:(Orange), WT:(White), YL:(Yellow), CR:(Clear)

APPD: JTING Chen 2022.4.6
CHKD: Duck Mao 2022.4.6
DRFT: Steven Lu 2022.4.6

DORABO 宁波地博电气有限公司
Ningbo Dorabo Electric CO., Ltd

NAME: DB2ERH-2.5-XXP-C

TYPE: CUSTOMER_DRAWING

SIZE: A4

SCALE: 1:1

REV: T0-1

SHEET: 1/1

X-ON Electronics

Largest Supplier of Electrical and Electronic Components

Click to view similar products for [Pluggable Terminal Blocks](#) category:

Click to view products by [DORABO](#) manufacturer:

Other Similar products are found below :

[57.510.0053](#) [721-104/026-047](#) [721-204/026-045](#) [MC 1.5/ 6-ST-3.5 GY AU](#) [ET02015000J0G](#) [860505](#) [860516](#) [860810](#) [GBPACX-12](#)
[93.731.4953.0](#) [PVP03-3,50](#) [PVS02-5,00](#) [1-1986160-3](#) [1377680000](#) [1531000000](#) [1546228-5](#) [ELFP03110](#) [ELFP10210](#) [ELFT07250](#)
[ELVD12100](#) [ELVF09400](#) [ELXH071G0E](#) [1725220000](#) [1760336](#) [1855000000](#) [19346](#) [1946309](#) [1973592](#) [19892](#) [25.320.4053.1](#) [25.320.4553.9](#)
[25.320.4753.1](#) [25.320.5453.1](#) [25.340.0353.1](#) [25.340.1053.1](#) [25.345.3553.0M001](#) [25.640.3553.1](#) [SH02-5,08](#) [SH06-3,81](#) [SH08-5,08](#) [SH08-](#)
[5,08-K](#) [SH12-5,08](#) [SHS04-5,00](#) [30.303](#) [30.305](#) [30.306](#) [PHP09-5,08](#) [25.193.0453.0](#) [25.320.4653.1](#) [25.332.2453.1](#)