
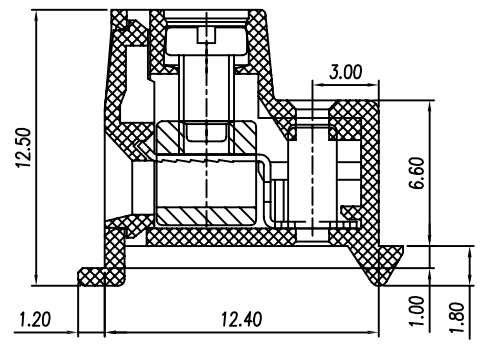
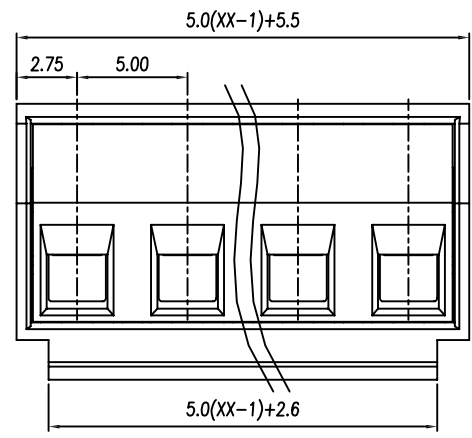
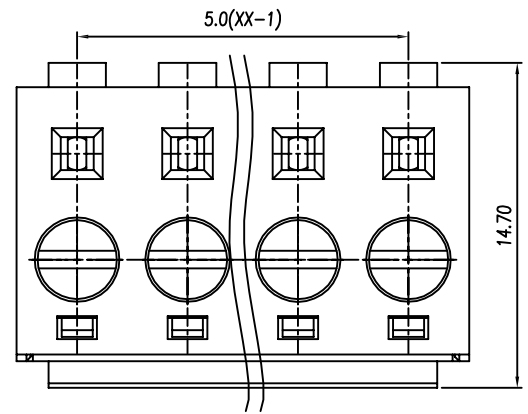


linear dimension(Tolerances Standard GB/T 14486-2008)								— 		
variable range	to	over	over	over	over	over	over	to	over	over
	6	6 to 10	10 to 30	30 to 60	60 to 100	100 to 160	160 to		10 to 100	100 to
tolerance	±0.20	±0.30	±0.50	±0.70	±1.00	±1.30	±1.60	0.10	0.30	0.60



UL/CUL 技术参数	UL/CUL Technical Data			
等级	Use Group	B	C	D
额定电压	Rated Voltage [V]	300	-	250
额定电流	Rated Current [A]	12	-	14
接线范围	Wire Range	22-14		
单/多芯线	Solid/Stranded [AWG]			
耐电压	Withstanding Voltage	2000V/1Min		
IEC 技术参数	IEC Technical Data			
过电压类别	Overvoltage Category	III	III	II
污染等级	Contamination Class	3	2	2
额定电压	Rated Voltage [V]	-	-	-
额定电流	Rated Current [A]	-	-	-
额定冲击电压	Impulse withstand voltagea [KV]	-	-	-
导线截面积	Conductor cross section	1.5		
硬质/柔性导线	Solid/ flexible [mm ²]			
材料	Material			
绝缘材料	Insulation Material	PA66		
阻燃等级	Imflamability	UL94V-0		
导体材料	Contacto Material	铜合金 Copper alloy		
导体表面镀层	Contactive Coating	镀锡 Tin Plated		
一般参数	Other Data			
间距	Pitch [mm]	5.0		
极数	Poles [P]	2-24		
剥线长度	Stripping Length [mm]	6-7		
螺丝	Screw/扭矩 Torque(Max) [N.m]	M2.5/0.4		
工作温度	Operating temperatur [°C]	-40→+105		
引针尺寸	Pin Dimensions [mm]	-		
PCB板孔径	PCB Hole Diameter [mm]	-		

DB331K — 5.0 — XXP — C — S/P

(Series No.) (Pitch) (Poles)

Slottef/Phillips

(Color) : GN:(Green) , BK:(Black) , BU:(Blue) , RD:(Red) , GY:(Gray)
OG:(Orange) , WT:(White) , YL:(Yellow) , CR:(Clear)

APPD: JTING Chen 2022.4.6
CHKD: Duck Mao 2022.4.6
DRFT: Steven Lu 2022.4.6

DORABO 宁波地博电气有限公司
Ningbo Dorabo Electric CO., Ltd

NAME: DB331K-5.0-XXP-C-S

TYPE: CUSTOMER_DRAWING

SIZE: A4

SCALE: 1:1

REV: T0-1

SHEET: 1/1

X-ON Electronics

Largest Supplier of Electrical and Electronic Components

Click to view similar products for [Pluggable Terminal Blocks](#) category:

Click to view products by [DORABO](#) manufacturer:

Other Similar products are found below :

[57.510.0053](#) [721-104/026-047](#) [721-204/026-045](#) [MC 1.5/ 6-ST-3.5 GY AU](#) [ET02015000J0G](#) [860505](#) [860516](#) [860810](#) [GBPACX-12](#)
[93.731.4953.0](#) [PVP03-3,50](#) [PVS02-5,00](#) [1-1986160-3](#) [1377680000](#) [1531000000](#) [1546228-5](#) [ELFP03110](#) [ELFP10210](#) [ELFT07250](#)
[ELVD12100](#) [ELVF09400](#) [ELXH071G0E](#) [1725220000](#) [1760336](#) [1855000000](#) [19346](#) [1946309](#) [1973592](#) [19892](#) [25.320.4053.1](#) [25.320.4553.9](#)
[25.320.4753.1](#) [25.320.5453.1](#) [25.340.0353.1](#) [25.340.1053.1](#) [25.345.3553.0M001](#) [25.640.3553.1](#) [SH02-5,08](#) [SH06-3,81](#) [SH08-5,08](#) [SH08-](#)
[5,08-K](#) [SH12-5,08](#) [SHS04-5,00](#) [30.303](#) [30.305](#) [30.306](#) [PHP09-5,08](#) [25.193.0453.0](#) [25.320.4653.1](#) [25.332.2453.1](#)