

REVISION RECORD

REV	ECN	DESCRIPTION	DRFT	DATE

NOTES1:

- UL Standard
- 1.Rated voltage/current : 300V / 20A
- 2.Torque value : M4 , 10.53Lb.in
- 3.Wire range : 22~12AWG

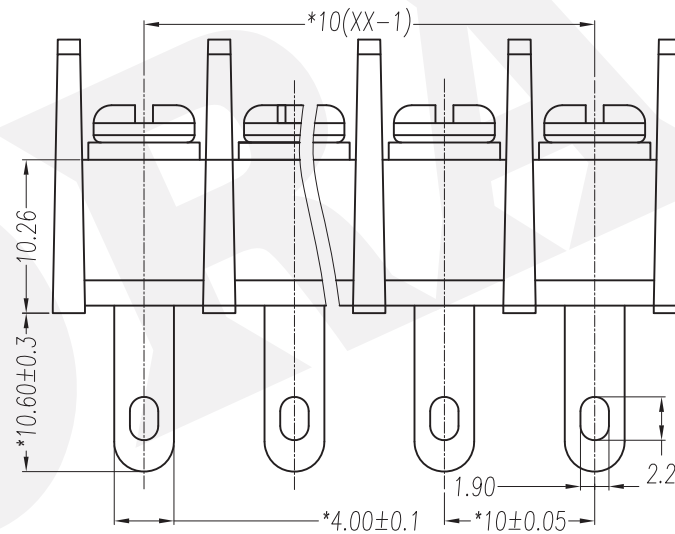
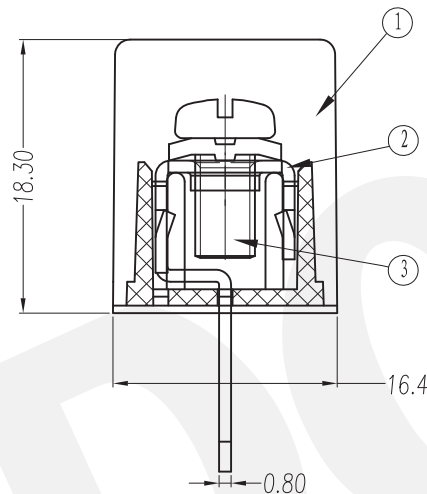
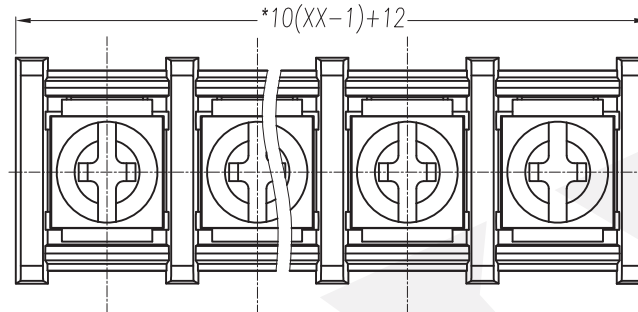
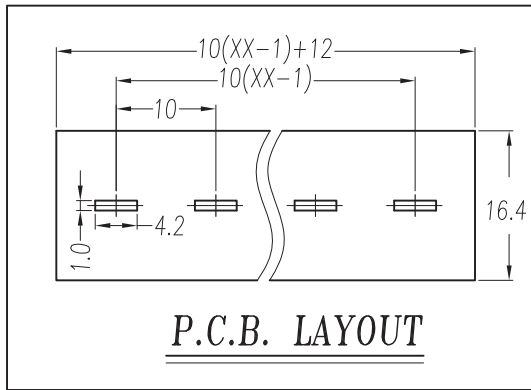
NOTES2:

- 1.Dimension shall be interpreted per ASME Y14.5-2009
- 2.Pitch : 10.0mm, Poles : N=02~24P
- 3.Withstanding voltage : AC1600V/1Min
- 4.Operating temperature: -40°C~+105°C
- 5.Undimensioned tolerances:

Pitch range in mm	Nominal dimension range in mm						0.1/10		
	Over 6 TO 6	Over 10 TO 10	Over 10 TO 24	Over 30 TO 30	Over 60 TO 60	Over 100 TO 150			
	±0.15	±0.20	±0.30	±0.30	±0.50	±0.70	±1.00	±1.30	±2*

6.RoHS Compliance

DBT30H-10.0 - XXP - 1Y - 00A (H)
 (Series No.) (Poles) (Single Pitch) (Color): 1.(Grey) 2.(Blue) 3.(Black) 4.(Green) 5.(Orange) 6.(Red) 7.(Transparent) 8.(Yellow) 9.(White)
 (RoHS) 00A-(Standard)



DETACHED LISTS	PART NO.: /	DORABO 慈溪市地博电子有限公司 CIXI DORABO ELECTRONICS CO.,LTD		
	APPD: /	NAME: DBT30H-10.0-XXP-1Y-00A(H)		
	CHKD: /	TITLE: CUSTOMER DRAWING		REV: /
	DRFT: /	DRAWING NO.: /		DO: /
THIRD ANGLE PROJECTION		MM (INCH)	DO NOT SCALE DRAWING	SCALE: 1:1

X-ON Electronics

Largest Supplier of Electrical and Electronic Components

Click to view similar products for [Barrier Terminal Blocks](#) category:

Click to view products by [DORABO](#) manufacturer:

Other Similar products are found below :

[CR151D20104](#) [670A-RZ-15-KT20](#) [6C1N03](#) [6PCR-02](#) [6PCR-02-008](#) [6PCR-05-008](#) [6PCR-08-008](#) [6PCR-09-008](#) [6PCR-13-006](#) [6PCR-15-006](#) [6PCV-06-008](#) [6PCV-06-716](#) [6PCV-09-001](#) [6PCV-15-008](#) [6PCV-17-1206](#) [6PCV-20-323](#) [6STR-06-006](#) [6STR-08-006](#) [6STR-12-008](#) [6STR-13-006](#) [6STR-14-008](#) [6STR-16-008](#) [6STR-17-008](#) [6STR-21-008](#) [6STR-25-008](#) [6STR-27-008](#) [6STV-03-008](#) [6STV-09-006](#) [6STV-10-006](#) [6WWV-11-008](#) [6WWV-12-008](#) [6WWV-16-008](#) [71502-50](#) [71507-47-50](#) [72504-C-50](#) [72506-C](#) [72507-C-50](#) [72508-56](#) [73203](#) [75505-C-50](#) [812-GP-3/4ST-09](#) [812-GPZ-03PSB](#) [8-1437402-5](#) [8-1437402-7](#) [8PCR-06-006](#) [8PCR-11-006](#) [8PCV-04-001](#) [8PCV-05-008](#) [8PCV-09-006](#) [8PCV-15-006](#)