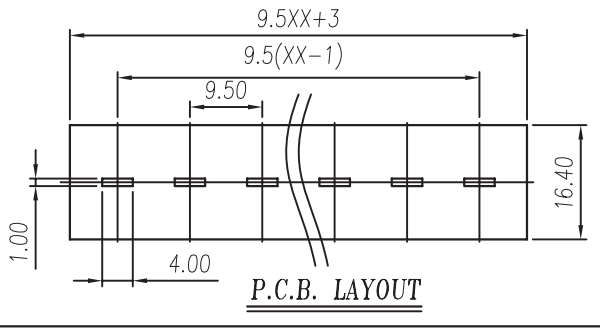


| REVISION RECORD |     |             |      |      |
|-----------------|-----|-------------|------|------|
| REV             | ECN | DESCRIPTION | DRFT | DATE |
|                 |     |             |      |      |

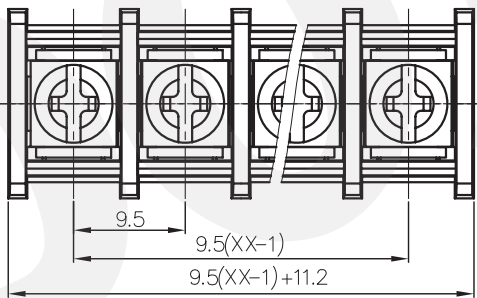
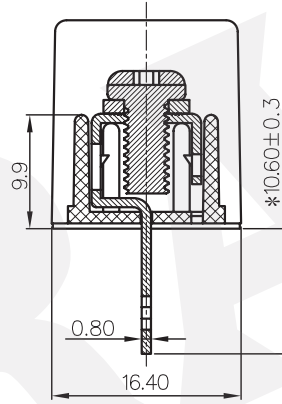
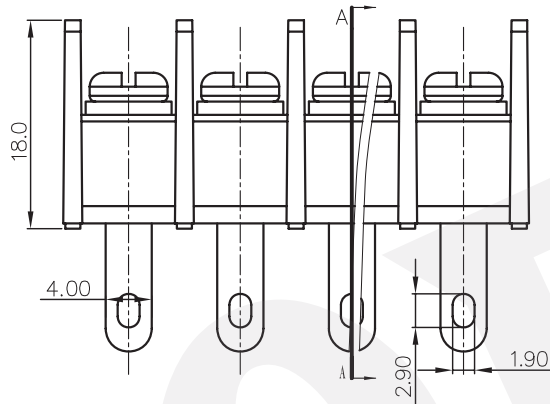


NOTES1:  
 UL Standard  
 1.Rated voltage/current : 300V / 25A  
 2.Torque value : M4 , 10.53Lb.in  
 3.Wire range : 22~12AWG

NOTES2:  
 1.Dimension shall be interpreted per ASME Y14.5-2009  
 2.Pitch : 9.5mm, Poles : N=02~24P  
 3.Withstanding voltage : AC1600V/1Min  
 4.Operating temperature: -40°C~+105°C  
 5.Undimensioned tolerances:

| Pitch range in mm |       | Nominal dimension range in mm |       |       |       | 0.1/10 |
|-------------------|-------|-------------------------------|-------|-------|-------|--------|
| To                | Over  | To                            | Over  | To    | Over  |        |
| 6                 | 10    | 6                             | 10    | 100   | 150   | ±2*    |
| ±0.15             | ±0.20 | ±0.30                         | ±0.50 | ±0.70 | ±1.00 |        |
| ±1.30             | ±1.30 | ±1.30                         | ±1.30 | ±1.30 | ±1.30 |        |

6.RoHS Compliance



DBT30H-9.5 - XXP - 1Y - 00A (H)  
 (Series No.) (Poles) (Single Pitch) (Color):1.(Grey)  
 2.(Blue)  
 3.(Black)  
 4.(Green)  
 5.(Orange)  
 6.(Red)  
 7.(Transparent)  
 8.(Yellow)  
 9.(White)  
 (RoHS)  
 00A-(Standard)

|                        |             |  |                      |            |
|------------------------|-------------|--|----------------------|------------|
| DETACHED LISTS         | PART NO.: / | <b>DORABO</b> 慈溪市地博电子有限公司<br>CIXI DORABO ELECTRONICS CO.,LTD |                      |            |
|                        | APPD: /     | NAME: DBT30H-9.5-XXP-1Y-00A(H)                               |                      |            |
|                        | CHKD: /     | TITLE: CUSTOMER DRAWING                                      |                      | REV: /     |
|                        | DRFT: /     | DRAWING NO.: /   |                      | DO: /      |
| THIRD ANGLE PROJECTION |             | MM (INCH)  | DO NOT SCALE DRAWING | SCALE: 1:1 |

## X-ON Electronics

Largest Supplier of Electrical and Electronic Components

*Click to view similar products for [Barrier Terminal Blocks](#) category:*

*Click to view products by [DORABO](#) manufacturer:*

Other Similar products are found below :

[CR151D20104](#) [670A-RZ-15-KT20](#) [6C1N03](#) [6PCR-02](#) [6PCR-02-008](#) [6PCR-05-008](#) [6PCR-08-008](#) [6PCR-09-008](#) [6PCR-13-006](#) [6PCR-15-006](#) [6PCV-06-008](#) [6PCV-06-716](#) [6PCV-09-001](#) [6PCV-15-008](#) [6PCV-17-1206](#) [6PCV-20-323](#) [6STR-06-006](#) [6STR-08-006](#) [6STR-12-008](#) [6STR-13-006](#) [6STR-14-008](#) [6STR-16-008](#) [6STR-17-008](#) [6STR-21-008](#) [6STR-25-008](#) [6STR-27-008](#) [6STV-03-008](#) [6STV-09-006](#) [6STV-10-006](#) [6WWV-11-008](#) [6WWV-12-008](#) [6WWV-16-008](#) [71502-50](#) [71507-47-50](#) [72504-C-50](#) [72506-C](#) [72507-C-50](#) [72508-56](#) [73203](#) [75505-C-50](#) [812-GP-3/4ST-09](#) [812-GPZ-03PSB](#) [8-1437402-5](#) [8-1437402-7](#) [8PCR-06-006](#) [8PCR-11-006](#) [8PCV-04-001](#) [8PCV-05-008](#) [8PCV-09-006](#) [8PCV-15-006](#)