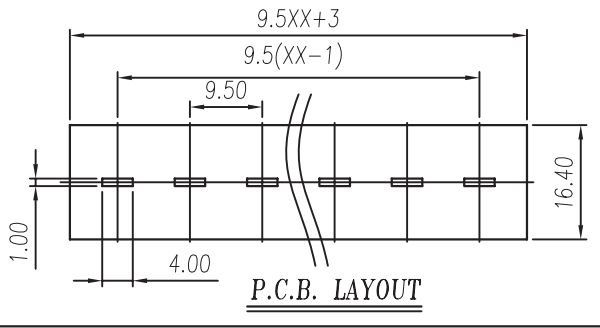


REVISION RECORD				
REV	ECN	DESCRIPTION	DRFT	DATE

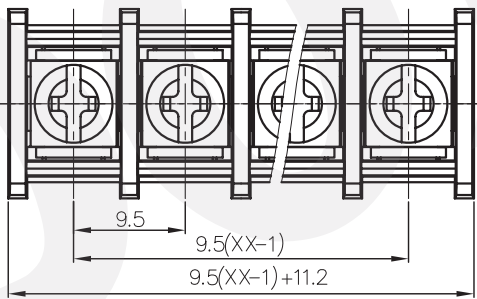
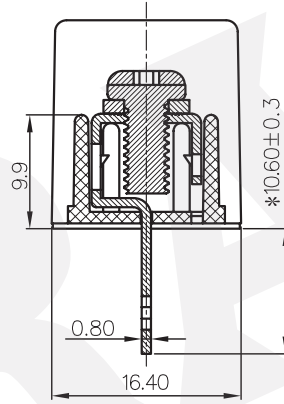
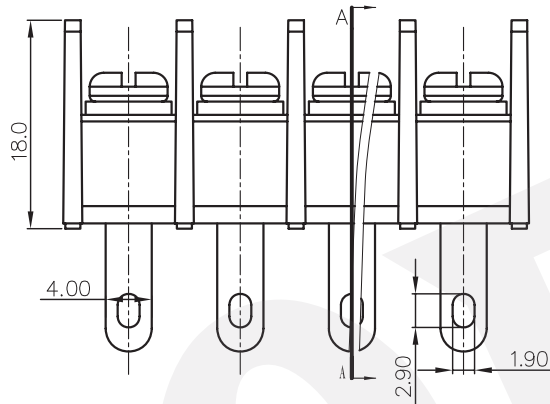


NOTES1:
 UL Standard
 1.Rated voltage/current : 300V / 25A
 2.Torque value : M4 , 10.53Lb.in
 3.Wire range : 22~12AWG

NOTES2:
 1.Dimension shall be interpreted per ASME Y14.5-2009
 2.Pitch : 9.5mm, Poles : N=02~24P
 3.Withstanding voltage : AC1600V/1Min
 4.Operating temperature:-40°C~+105°C
 5.Undimensioned tolerances:

Pitch range in mm		Nominal dimension range in mm						0.1/10
To	Over	To	Over	To	Over	To	Over	
6	10	10	24	30	60	100	150	±2*
±0.15	±0.20	±0.30	±0.30	±0.50	±0.70	±1.00	±1.30	

6.RoHS Compliance



DBT30H-9.5 - XXP - 1Y - 00A (H)
 (Series No.) (Poles) (Single Pitch) (Color):1.(Grey)
 2.(Blue)
 3.(Black)
 4.(Green)
 5.(Orange)
 6.(Red)
 7.(Transparent)
 8.(Yellow)
 9.(White)
 (RoHS)
 00A-(Standard)

DETACHED LISTS	PART NO.:	/		
	APPD:	/		
	CHKD:	/		
	DRFT:	/		
<p>THIRD ANGLE PROJECTION</p>		<p>DORABO 慈溪市地博电子有限公司 CIXI DORABO ELECTRONICS CO.,LTD</p>		
		<p>NAME: DBT30H-9.5-XXP-1Y-00A(H)</p>		
		<p>TITLE: CUSTOMER DRAWING</p>		
		<p>REV: / DO: /</p>		
		<p>DRAWING NO.: / SHEET: 1/1</p>		
		<p>MM (INCH) DO NOT SCALE DRAWING SCALE: 1:1</p>		

X-ON Electronics

Largest Supplier of Electrical and Electronic Components

Click to view similar products for [Barrier Terminal Blocks](#) category:

Click to view products by [DORABO](#) manufacturer:

Other Similar products are found below :

[CR151D20104](#) [670A-RZ-15-KT20](#) [6C1N03](#) [6PCR-02](#) [6PCR-02-008](#) [6PCR-05-008](#) [6PCR-08-008](#) [6PCR-09-008](#) [6PCR-13-006](#) [6PCR-15-006](#) [6PCV-06-008](#) [6PCV-06-716](#) [6PCV-09-001](#) [6PCV-15-008](#) [6PCV-17-1206](#) [6PCV-20-323](#) [6STR-06-006](#) [6STR-08-006](#) [6STR-12-008](#) [6STR-13-006](#) [6STR-14-008](#) [6STR-16-008](#) [6STR-17-008](#) [6STR-21-008](#) [6STR-25-008](#) [6STR-27-008](#) [6STV-03-008](#) [6STV-09-006](#) [6STV-10-006](#) [6WWV-11-008](#) [6WWV-12-008](#) [6WWV-16-008](#) [71502-50](#) [71507-47-50](#) [72504-C-50](#) [72506-C](#) [72507-C-50](#) [72508-56](#) [73203](#) [75505-C-50](#) [812-GP-3/4ST-09](#) [812-GPZ-03PSB](#) [8-1437402-5](#) [8-1437402-7](#) [8PCR-06-006](#) [8PCR-11-006](#) [8PCV-04-001](#) [8PCV-05-008](#) [8PCV-09-006](#) [8PCV-15-006](#)