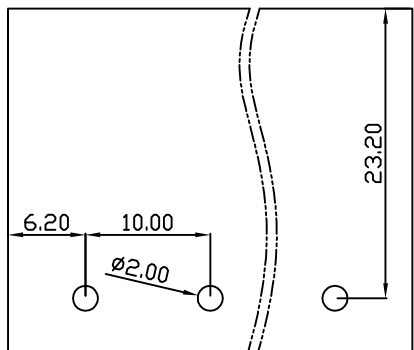
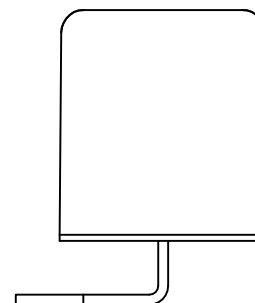
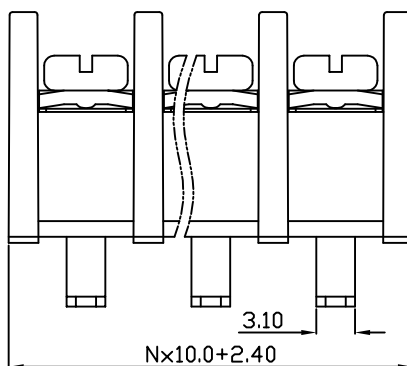
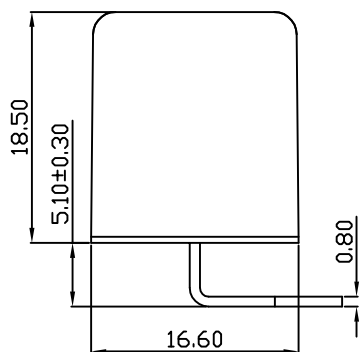
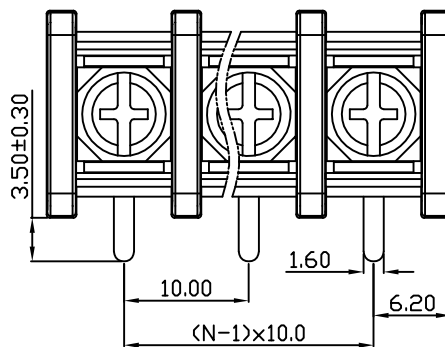


| linear dimension(Tolerances Standard GB/T 14486-2008) |       |              |               |               |                |                 |             | —     | $\nabla$       | $\perp$     |
|-------------------------------------------------------|-------|--------------|---------------|---------------|----------------|-----------------|-------------|-------|----------------|-------------|
| variable range                                        | to 6  | over 6 to 10 | over 10 to 30 | over 30 to 60 | over 60 to 100 | over 100 to 160 | over 160 to | to 10 | over 10 to 100 | over 100 to |
| tolerance                                             | ±0.20 | ±0.30        | ±0.50         | ±0.70         | ±1.00          | ±1.30           | ±1.60       | 0.10  | 0.30           | 0.60        |



PCB Layout



| UL/CUL 技术参数 |                                   | UL/CUL Technical Data |   |     |
|-------------|-----------------------------------|-----------------------|---|-----|
| 等级          | Use Group                         | B                     | C | D   |
| 额定电压        | Rated Voltage [V]                 | 300                   | - | 300 |
| 额定电流        | Rated Current [A]                 | 20                    | - | 10  |
| 接线范围        | Wire Range                        | 22-10                 |   |     |
| 单/多芯线       | Solid/Stranded [AWG]              |                       |   |     |
| IEC 技术参数    |                                   | IEC Technical Data    |   |     |
| 额定电压        | Rated Voltage [V]                 | 600                   |   |     |
| 额定电流        | Rated Current [A]                 | 32                    |   |     |
| 耐压          | Withstanding Voltage [AWG]        | 3000V/1Min            |   |     |
| 导线截面积       | Conductor cross section           | 4.0                   |   |     |
| 硬质/柔性导线     | Solid/flexible [mm <sup>2</sup> ] |                       |   |     |
| 材料          |                                   | Material              |   |     |
| 绝缘材料        | Insulation Material               | PA66                  |   |     |
| 阻燃等级        | Imflammability                    | UL94V-0               |   |     |
| 导体材料        | Contact Material                  | 铜合金 Copper alloy      |   |     |
| 导体表面镀层      | Contactive Coating                | 镀锡 Sn Plated          |   |     |
| 一般参数        |                                   | Other Data            |   |     |
| 间距          | Pitch [mm]                        | 10.0                  |   |     |
| 极数          | Poles [P]                         | 02-24                 |   |     |
| 螺丝          | Screw/扭矩 Torque(Max) [N.m]        | M4/1.2                |   |     |
| 工作温度        | Operating temperatur [°C]         | -40~+105              |   |     |
| 引针尺寸        | Pin Dimensions [mm]               | 0.80x1.60             |   |     |
| PCB板孔径      | PCB Hole Diameter [mm]            | 2.00                  |   |     |

DBT30R — 10.0 — XXP — C — S/P  
 (Series No.) (Pitch) (Poles) Slotted/Phillips  
 (Color) : 1.(Green) 2.(Black) 3.(Blue) 4.(Clear) 5.(Gray)  
 6.(Orange) 7.(Red) 8.(White) 9.(Yellow)

APPD: JTING Chen 2022.8.23  
 CHKD: Duck Mao 2022.8.23  
 DRFT: Steven Lu 2022.8.23

**DORABO**

宁波地博电气有限公司  
 Ningbo Dorabo Electric CO., Ltd

NAME:

DBT30R-10.0-XXP-C-P



SIZE: A4

mm  
inch

REV

T0-1

TYPE: CUSTOMER\_DRAWING

SCALE: 1:1

SHEET

1/1

## X-ON Electronics

Largest Supplier of Electrical and Electronic Components

*Click to view similar products for [Barrier Terminal Blocks](#) category:*

*Click to view products by [DORABO](#) manufacturer:*

Other Similar products are found below :

[CR151D20104](#) [670A-RZ-15-KT20](#) [6C1N03](#) [6PCR-02](#) [6PCR-02-008](#) [6PCR-05-008](#) [6PCR-08-008](#) [6PCR-09-008](#) [6PCR-13-006](#) [6PCR-15-006](#) [6PCV-06-008](#) [6PCV-06-716](#) [6PCV-09-001](#) [6PCV-15-008](#) [6PCV-17-1206](#) [6PCV-20-323](#) [6STR-06-006](#) [6STR-08-006](#) [6STR-12-008](#) [6STR-13-006](#) [6STR-14-008](#) [6STR-16-008](#) [6STR-17-008](#) [6STR-21-008](#) [6STR-25-008](#) [6STR-27-008](#) [6STV-03-008](#) [6STV-09-006](#) [6STV-10-006](#) [6WWV-11-008](#) [6WWV-12-008](#) [6WWV-16-008](#) [71502-50](#) [71507-47-50](#) [72504-C-50](#) [72506-C](#) [72507-C-50](#) [72508-56](#) [73203](#) [75505-C-50](#) [812-GP-3/4ST-09](#) [812-GPZ-03PSB](#) [8-1437402-5](#) [8-1437402-7](#) [8PCR-06-006](#) [8PCR-11-006](#) [8PCV-04-001](#) [8PCV-05-008](#) [8PCV-09-006](#) [8PCV-15-006](#)