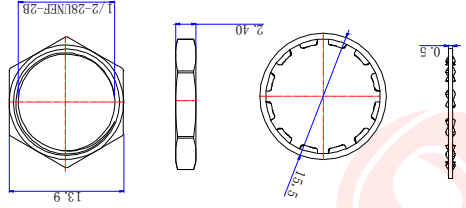
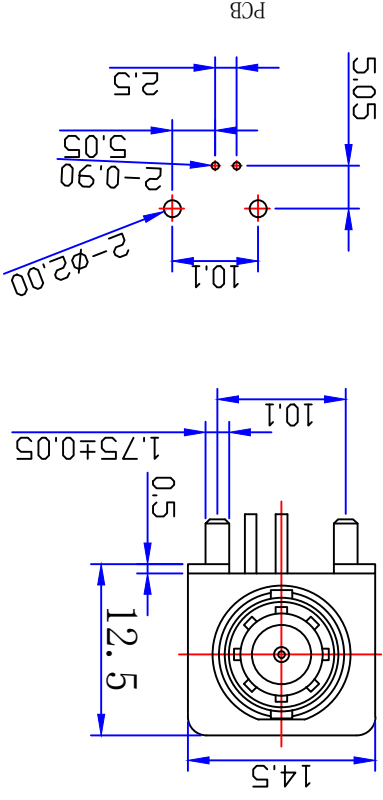
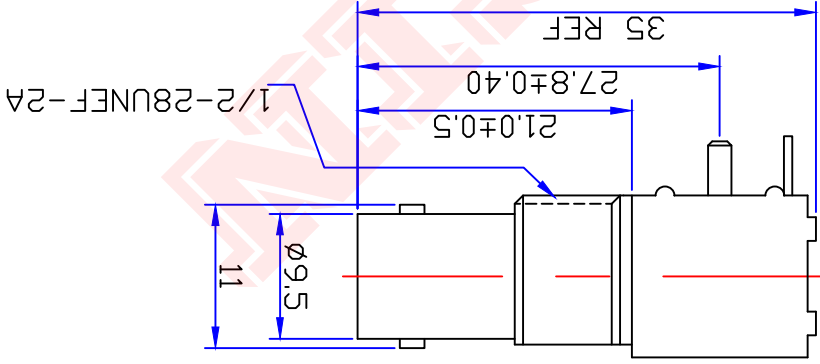


**Specifications**

Impedance: 75 Ohms  
 Frequency Range: DC~3G  
 VSWR: 1.3MAX  
 Working Voltage: 500V rms @ sea level  
 Insulation Resistance: 5000 Ohms min  
 Temperature Range: -55°C TO +155°C  
 Relative Temperature: ≤95%(40°C±2°C)  
 Drawings products are in line with ROHS standards



NO	Component Number	Material	Finish	APPROVALS	12/04/2012	SCALE	1:1	DateTime	2012/11/02	CAD FILE	DOSIN-801-0039	SHEET: 1 OF 1
10				John								
9				CHECKED				Product NO.	DOSIN-801-0039	REV	A	
8	Hex nut	Brass	NI:80-120u"	Zelin. Zhang	2012/11/10	View		Name:	BNC WHITE JACK CONNECTOR (12.5MM)			
7	Washer	Brass	NI:80-120u"	DRAWN		Tolerance	Angular ±2°					
6	Fixed mount	PBT	White				±0.20					
5	Insulator	POM	White				±0.30					
4	Fixed footrest	Iron	SN:80-120u"				±0.5					
3	Lead	Iron	SN:80-120u"				30-120					
2	Center contact	Brass	AU:1u"				0-6					
1	Body	Zinc	NI:80-120u"									

Product NO.	DOSIN-801-0039		
REV	DESCRIPTION	DWN	DATE
A	First issue	JIM	2012/11/02
			John King

**DOSIN** RF CONNECTOR  
 Doshin Industrial(HK)Co.Ltd  
 东莞市德泰五金电子有限公司  
 Doshin Hardware Electronics Co.,Ltd  
 E-mail:doshin2005@163.com  
 doshin2005@doshin-china.com  
 Web:hp://www.doshin.com  
 TEL:(0086)769-81153906  
 FAX:(0086)769-81875836

## X-ON Electronics

Largest Supplier of Electrical and Electronic Components

*Click to view similar products for [RF Connectors / Coaxial Connectors](#) category:*

*Click to view products by [dosinconn](#) manufacturer:*

Other Similar products are found below :

[R125315120](#) [8915-1511-000](#) [89674-0827](#) [5916-1103-603](#) [0106-001-000](#) [6-0001-3](#) [6001-7071-019](#) [6002-7051-003](#) [6002-7551-202](#) [6059674-1](#) [619550-1](#) [630059-000](#) [M39012/25-0021](#) [M39012/79-3008](#) [M39030/3-01N](#) [M39030/3-03N](#) [M3933/25-29N](#) [M3933/25-36N](#) [6500-7071-046](#) [6501-1071-002](#) [M83723/72W24576](#) [M83723/72W2457N](#) [6769](#) [CX050L2AQ](#) [7002-1541-010](#) [7003-1572-002](#) [7004-1512-000](#) [7009-1511-004](#) [7010-1511-000](#) [7029-1511-060](#) [7101-1541-010](#) [7101-1571-002](#) [7105-1521-002](#) [7145-1521-002](#) [7209-1511-011](#) [7210-1511-012](#) [7210-1511-015](#) [7210-1511-019](#) [7210-1511-040](#) [7225-1512-050](#) [7242-1511-000](#) [73137-5015](#) [73216-2241](#) [73251-0111](#) [73251-0672](#) [73276-1501](#) [73366-0013](#) [73404-2300](#) [73413-6080](#) [734151610](#)