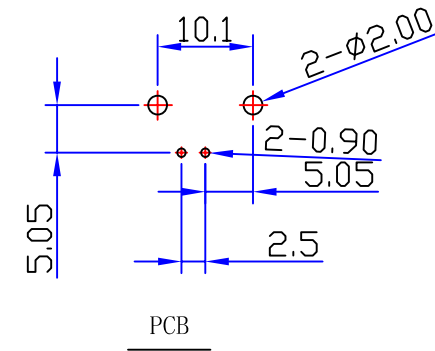
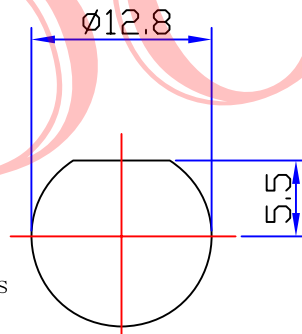
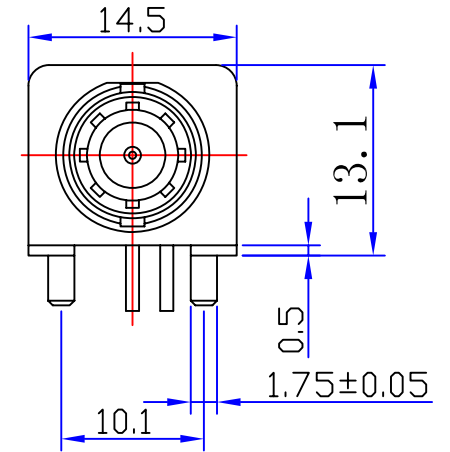
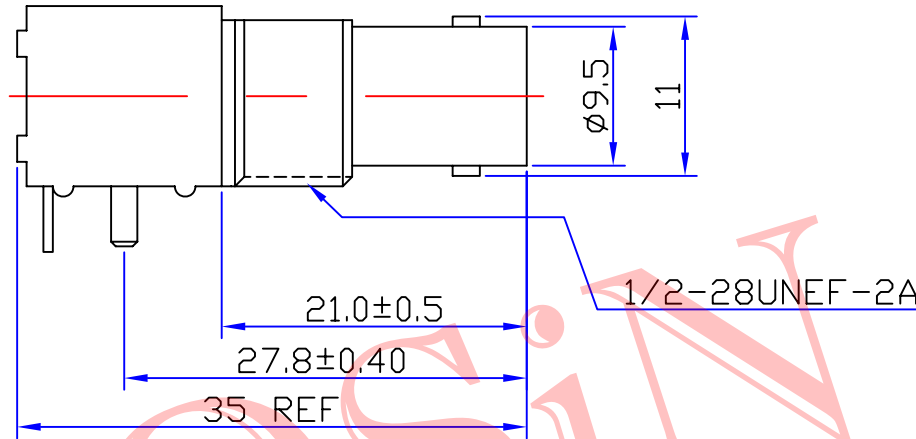
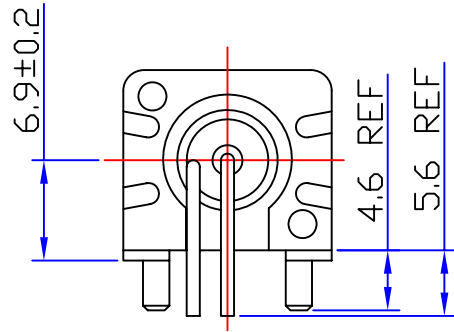




Product NO.		DOSIN-801-0046		
REV	DESCRIPTION	DWN	DATE	APPROVEN
A	First issue	JIM	2012/11/02	John kine



Specifications

Impedance: 50 Ohms
 Frequency Range: DC~3G
 VSWR: 1.3MAX
 Working Voltage: 500V rms @ sea level
 Insulation Resistance: 5000 Ohms min
 Temperature Range: -55°C TO +155°C
 Relative Temperature: ≤95% (40° C ± 2° C)
 Drawings products are in line with ROHS standards

1	Body	Zinc	NI:80-120u"
2	Center contact	Brass	AU:1u"
3	Lead	Iron	AU:1u"
4	Fixed footrest	Iron	NI:80-120u"
5	Insulator	POM	-----
6	Fixed mount	ABS	BLACK
7	Washer	Brass	NI:80-120u"
8	Hex nut	Brass	NI:80-120u"
9			
10			
NO	Component Number	Material	Finish

NOTE:
 DRAWN: Zelin. Zhang 2012/11/10
 CHECKED:
 APPROVALS: John Kine 12/04.2012

Tolerance	0-6 ±0.20 6-30 ±0.30 30-120 ±0.5 Angular ±2°
View	
UNIT	MM
SCALE	1:1

Dosin Industrial(H.K)Co.Ltd 东莞市德索五金电子制品有限公司 Dosin Hardware Electronics Co.,Ltd		E-mail: dosin2005@163.com dosin2005@dosin-china.com Web: http://www.dosinconn.com TEL: (0086)769-81153906 FAX: (0086)769-81875836
Name: BNC BLACK JACK CONNECTOR (13.1MM)		
SIZE A	Product NO. DOSIN-801-0046	REV B
DateTime 2012/11/02	CAD FILE D/company drawings/BD	SHEET: 1 OF 1

X-ON Electronics

Largest Supplier of Electrical and Electronic Components

Click to view similar products for [RF Connectors](#) / [Coaxial Connectors](#) category:

Click to view products by [dosinconn](#) manufacturer:

Other Similar products are found below :

[89674-0827](#) [6059674-1](#) [630059-000](#) [6501-1071-002](#) [6769](#) [7002-1541-010](#) [7002-1572-002](#) [7004-1512-000](#) [7009-1511-004](#) [7101-1541-010](#)
[7101-1571-002](#) [7105-1521-002](#) [7145-1521-002](#) [7203-1571-003](#) [7209-1511-011](#) [7210-1511-040](#) [7242-1511-000](#) [7405-1521-005](#) [7405-1521-](#)
[802](#) [804S01D04M040](#) [8527](#) [8547](#) [FS11V](#) [877931](#) [8808-1511-001](#) [9049-9513-000](#) [9074-9513-000](#) [PL11C-026](#) [PL40-36](#) [9408-1113-000](#)
[980-8666-005](#) [11 SMA-50-2-6 / 111 NE](#) [11 SMA-50-3-6 / 111 NE](#) [11 SMA-50-2-6/111 NH](#) [1-201144-1](#) [120919](#) [R107003010W](#) [R112186000](#)
[R113053000W](#) [R113082097](#) [R113236000](#) [R114083000](#) [R114670000W](#) [R123415000W](#) [R124072220W](#) [R124076320](#) [R124076450](#)
[R124175123](#) [R124176123W](#) [R125075000W](#)