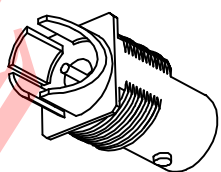
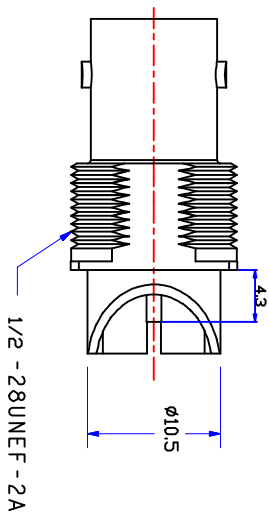


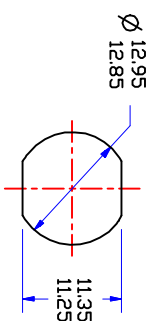


Product NO.		DOSIN-801-0075-X		
REV	DESCRIPTION	DWN	DATE	APPROVEN
A	First Issue	Mr. Wang	2015/08/05	John Kline
B				

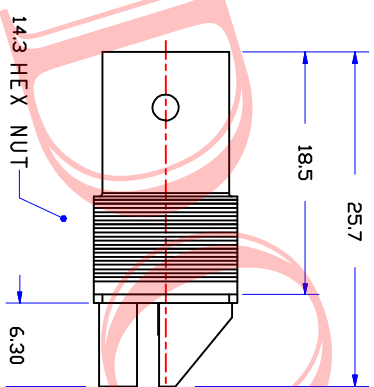


SCALE 2/1

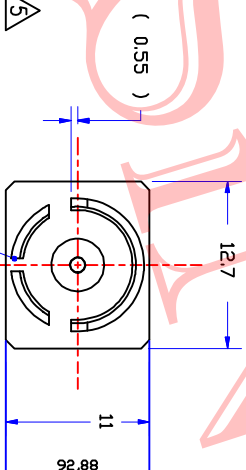
RECOMMENDED
PANEL CUT-OUT



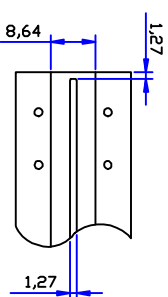
NO	Material	Finish	Frequency Range
A	Brass	Gold:1.5-2um	DC:0-3G
B	Phosphor copper	Gold:1.5-2um	DC:3-6G
C	Beryllium copper	Gold:1.5-2um	DC:6-9G
D	Beryllium copper	Gold:4.5-6um	DC:9-18G



BOARD THICKNESS
1.75±0.05



RINSE NOTCH



RECOMMEN NDED
PCB LAYOUT

SPECIFICATIONS:

Impedance: 75 Ohms
 Frequency Range: Please refer to the table above
 VSWR: 1.3max
 Working Voltage: 500v RMS @ SEA level
 Insulation Resistance: 5000 Ohms min
 Temperature Range: -55°C TO +155°C
 Drawings products are in line with ROHS standards

NOTE:

DRAWN
Zelin Zhang

CHECKED

Tolerance

0-6
6-30
30-120
Angular
±0.10
±0.15
±0.20
±5°

View



UNIT

MM

SCALE

1:1

Name:

BNC JACK CONNECTOR

SIZE

Product NO.

DOSIN-801-0075-X

REV
A

DOSIN *Dosin Industrial (HK) Co Ltd*
 东莞市松泰五金电子有限公司
Dosin Hardware Electronics Co, Ltd
 E-mail: dosin2005@163.com
 dosin2005@dosin-dh.com
 Web: http://www.dosin.com.com
 TEL: (0086) 769-81153906
 FAX: (0086) 769-81878836

1	Body	Zinc	Gold:1.5-2um
2	Contact pin	Please refer to the table above	
3	Insulation	Teflon	None
4	Component Number	Material	Finish
5	A	B	C

6	APPROVALS	D	E	F	G
7	DATE	DATE	CAD FILE	SHEET: 1 OF 1	
8	2015/08/05	2015/08/05	H/company drawings/BD		

X-ON Electronics

Largest Supplier of Electrical and Electronic Components

Click to view similar products for [RF Connectors / Coaxial Connectors](#) category:

Click to view products by [dosinconn](#) manufacturer:

Other Similar products are found below :

[R125315120](#) [8915-1511-000](#) [89674-0827](#) [5916-1103-603](#) [0106-001-000](#) [6-0001-3](#) [6001-7071-019](#) [6002-7051-003](#) [6002-7551-202](#) [6059674-1](#) [619550-1](#) [630059-000](#) [M39012/25-0021](#) [M39012/79-3008](#) [M39030/3-01N](#) [M39030/3-03N](#) [M3933/25-29N](#) [M3933/25-36N](#) [6500-7071-046](#) [6501-1071-002](#) [M83723/72W24576](#) [M83723/72W2457N](#) [6769](#) [CX050L2AQ](#) [7002-1541-010](#) [7003-1572-002](#) [7004-1512-000](#) [7009-1511-004](#) [7010-1511-000](#) [7029-1511-060](#) [7101-1541-010](#) [7101-1571-002](#) [7105-1521-002](#) [7145-1521-002](#) [7209-1511-011](#) [7210-1511-012](#) [7210-1511-015](#) [7210-1511-019](#) [7210-1511-040](#) [7225-1512-050](#) [7242-1511-000](#) [73137-5015](#) [73251-0111](#) [73251-0672](#) [73276-1501](#) [73366-0013](#) [73404-2300](#) [73413-6080](#) [734151610](#) [73415-5721](#)