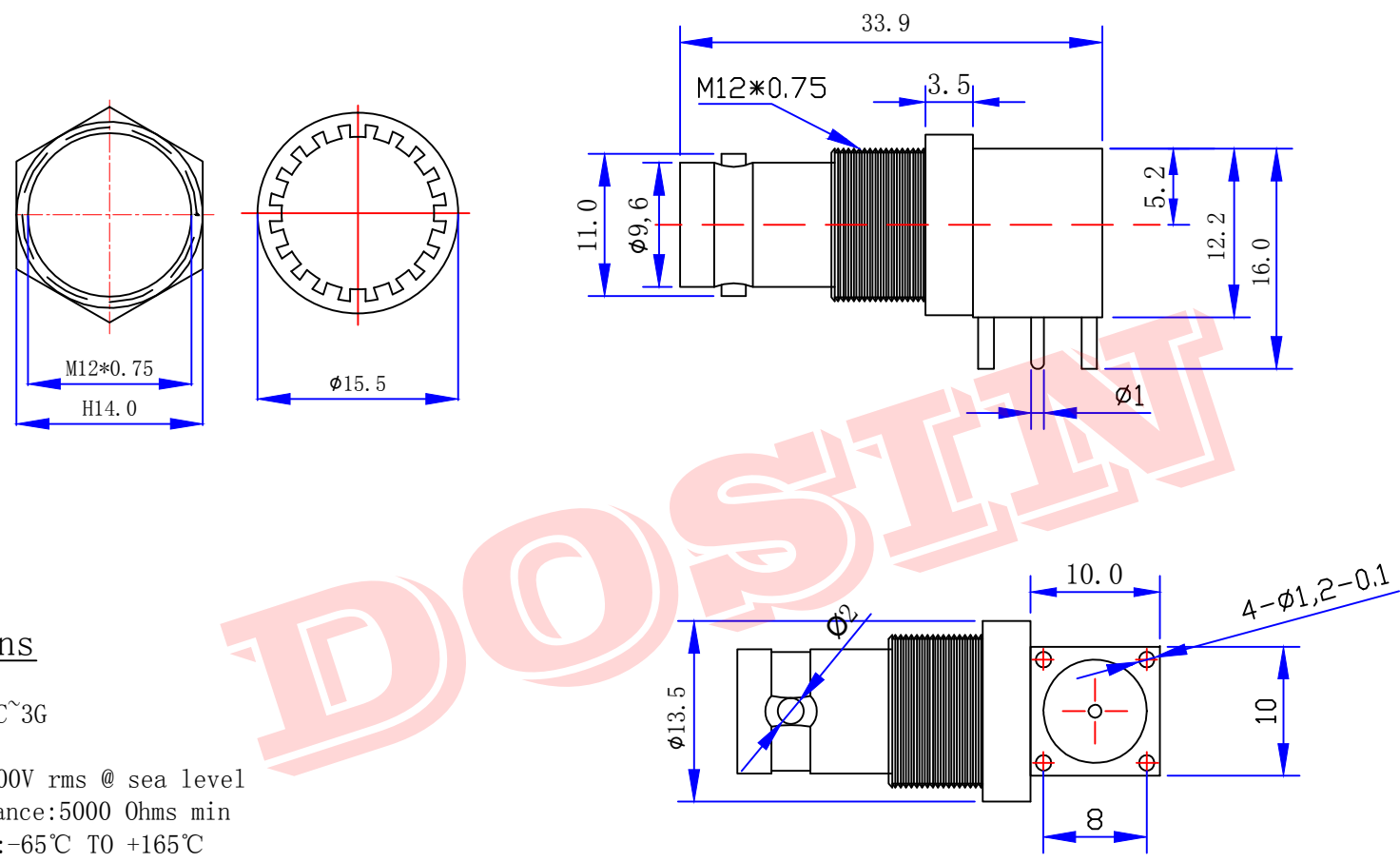


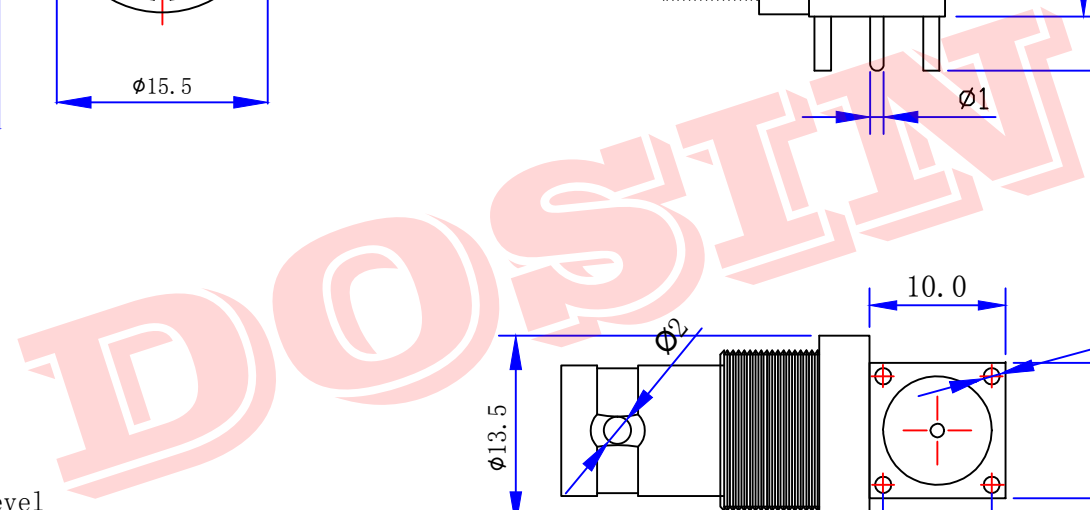


| | | | | |
|-------------|-------------|----------------|------------|-----------|
| Product NO. | | DOSIN-801-0079 | | |
| REV | DESCRIPTION | DWN | DATE | APPROVEN |
| A | First issue | CHEN | 2012/11/02 | John kine |



Specifications

Impedance: 75 Ohms
 Frequency Range: DC~3G
 VSWR: 1.3MAX
 Working Voltage: 500V rms @ sea level
 Insulation Resistance: 5000 Ohms min
 Temperature Range: -65°C TO +165°C
 Relative Temperature: ≤95%(40° C±2° C)
 Drawings products are in line with ROHS standards



| | | | | |
|----|-----------------|----------|----------|-----|
| E | GASKET | TE | NICKEL | 1 |
| D | NUT | BRASS | NICKEL | 1 |
| C | INSULATOR | TEFLON | WHITE | 1 |
| B | CONTACT PLATING | BRASS | GOLD | 1 |
| A | BODY | BRASS | NICKEL | 1 |
| NO | DESCRIPTION | MATERIAL | FINISHED | QTY |

| | | | |
|-------------|------------|-----------|---|
| NOTE: | | Tolerance | 0-6 ±0.2 6-30 ±0.3 30-120 ±0.5 Angular ±2° |
| DRAWN | 2012/11/10 | View | |
| Zelin. CHEN | | UNIT | MM |
| CHECKED | | SCALE | 1:1 |
| APPROVALS | 12/04.2012 | | |
| John Kine | | | |

| | | | |
|--|----------------|---|-----------------------|
| Dosin Industrial(H.K)Co.Ltd 东莞市德索五金电子制品有限公司 Dosin Hardware Electronics Co.,Ltd | | E-mail: dosin2005@163.com dosin2005@dosing-china.com Web: http://www.dosingconn.com TEL: (0086)769-81153906 FAX: (0086)769-81875836 | |
| Name: | | BNC CONNECTOR DNN | |
| SIZE | Product NO. | REV | |
| A | DOSIN-801-0079 | A | |
| Date | 2012/11/02 | CAD FILE | D/company drawings/BD |
| SHEET: 1 OF 1 | | | |

X-ON Electronics

Largest Supplier of Electrical and Electronic Components

Click to view similar products for [RF Connectors / Coaxial Connectors](#) category:

Click to view products by [dosinconn](#) manufacturer:

Other Similar products are found below :

[89674-0827](#) [6059674-1](#) [630059-000](#) [6501-1071-002](#) [6769](#) [7002-1541-010](#) [7002-1572-002](#) [7004-1512-000](#) [7009-1511-004](#) [7101-1541-010](#)
[7101-1571-002](#) [7105-1521-002](#) [7145-1521-002](#) [7203-1571-003](#) [7209-1511-011](#) [7210-1511-040](#) [7242-1511-000](#) [7405-1521-005](#) [7405-1521-](#)
[802](#) [804S01D04M040](#) [8527](#) [8547](#) [FS11V](#) [877931](#) [8808-1511-001](#) [9049-9513-000](#) [9074-9513-000](#) [PL11C-026](#) [PL40-36](#) [9408-1113-000](#)
[980-8666-005](#) [11 SMA-50-2-6 / 111 NE](#) [11 SMA-50-3-6 / 111 NE](#) [11 SMA-50-2-6/111 NH](#) [1-201144-1](#) [120919](#) [R107003010W](#) [R112186000](#)
[R113053000W](#) [R113082097](#) [R113236000](#) [R114083000](#) [R114670000W](#) [R123415000W](#) [R124072220W](#) [R124076320](#) [R124076450](#)
[R124175123](#) [R124176123W](#) [R125075000W](#)