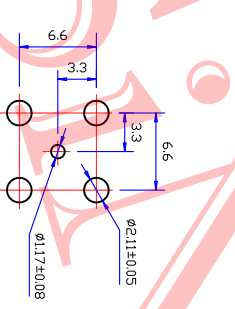
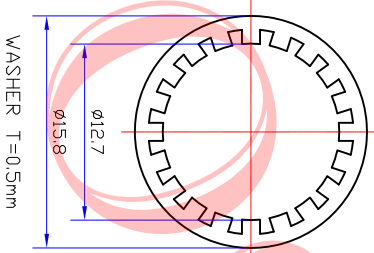
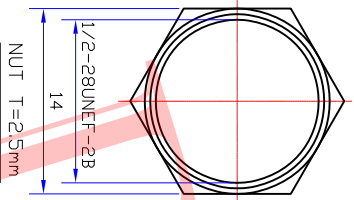
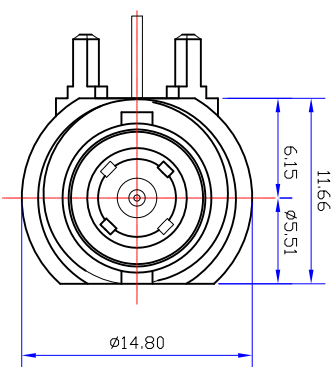
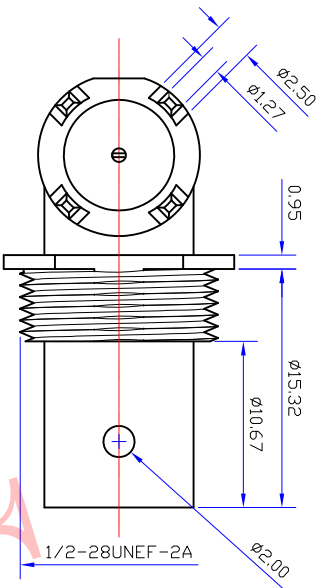
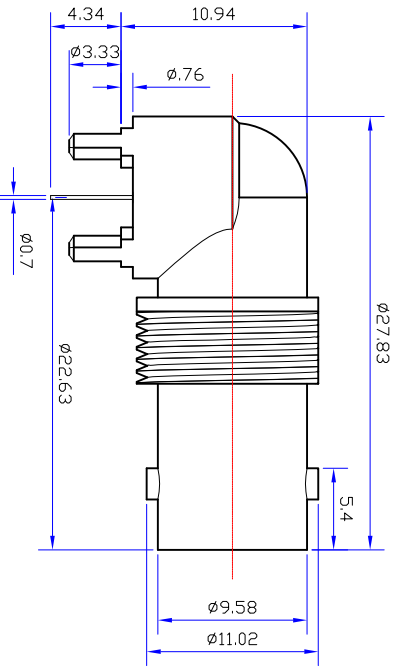
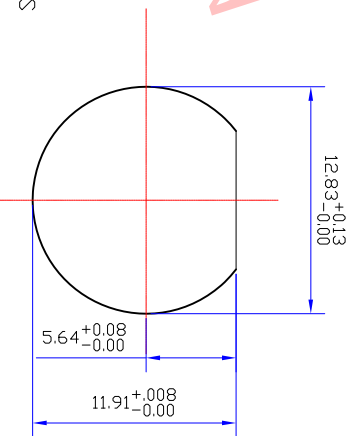




|             |             |                |            |           |
|-------------|-------------|----------------|------------|-----------|
| Product NO. |             | DOSIN-801-0083 |            |           |
| REV         | DESCRIPTION | DWN            | DATE       | APPROVEN  |
| A           | First Issue | JIM            | 2013/06/18 | John kine |



PCB HOLE CONFIGURATION  
RECOMMENDED PANEL CUTOUTS



### Specifications

Impedance: 75 Ohms  
Frequency Range: DC~3G  
VSWR: 1.3MAX  
Working Voltage: 500V rms @ sea level  
Insulation Resistance: 5000 Ohms min  
Temperature Range: -55°C T0 +155°C  
Relative Temperature: ≤95% (40°C ±2°C)  
Drawings products are in line with ROHS standards

NOTE:

|         |            |           |                       |                        |
|---------|------------|-----------|-----------------------|------------------------|
| DRAWN   | 2013/06/18 | Tolerance | 0-6<br>6-30<br>30-120 | ±0.15<br>±0.20<br>±0.5 |
| CHECKED |            | View      | Angul ar              | ±2°                    |

**DOSIN**  
Doshin Industrial(H.K.)Co.Ltd  
东莞市德奈五金电子有限公司  
Doshin Hardware Electronics Co.,Ltd  
E-mail:doshin2005@163.com  
doshin2005@doshin-china.com  
Web:http://www.doshin.com.com  
TEL:(0086) 769-81153906  
FAX:(0086) 769-81875836

Name: BNC CONNECTOR DNN

SIZE A Product NO. DOSIN-801-0083

Date/Time 2013/06/18 CAD FILE D/company drawings/BD SHEET: 1 OF 1

|    |                |            |               |     |
|----|----------------|------------|---------------|-----|
| 5  | WASHER         | IRON       | PLATED NICKEL | 1   |
| 4  | NUT            | BRASS      | PLATED NICKEL | 1   |
| 3  | INSULATOR      | PDM        | WHITE         | 1   |
| 2  | CENTER CONTACT | BRASS      | GOLD 1-1.5 U" | 1   |
| 1  | BODY           | ZINC ALLOY | PLATED NICKEL | 1   |
| ND | DESCRIPTION    | MATERIAL   | FINISH        | QTY |

A

B

C

D

E

F

G

## X-ON Electronics

Largest Supplier of Electrical and Electronic Components

*Click to view similar products for [RF Connectors / Coaxial Connectors](#) category:*

*Click to view products by [dosinconn](#) manufacturer:*

Other Similar products are found below :

[R125315120](#) [8915-1511-000](#) [89674-0827](#) [5916-1103-603](#) [0106-001-000](#) [6-0001-3](#) [6001-7071-019](#) [6002-7051-003](#) [6002-7551-202](#) [6059674-1](#) [619550-1](#) [630059-000](#) [M39012/25-0021](#) [M39012/79-3008](#) [M39030/3-01N](#) [M39030/3-03N](#) [M3933/25-29N](#) [M3933/25-36N](#) [6500-7071-046](#) [6501-1071-002](#) [M83723/72W24576](#) [M83723/72W2457N](#) [6769](#) [CX050L2AQ](#) [7002-1541-010](#) [7003-1572-002](#) [7004-1512-000](#) [7009-1511-004](#) [7010-1511-000](#) [7029-1511-060](#) [7101-1541-010](#) [7101-1571-002](#) [7105-1521-002](#) [7145-1521-002](#) [7209-1511-011](#) [7210-1511-012](#) [7210-1511-015](#) [7210-1511-019](#) [7210-1511-040](#) [7225-1512-050](#) [7242-1511-000](#) [73137-5015](#) [73251-0111](#) [73251-0672](#) [73276-1501](#) [73366-0013](#) [73404-2300](#) [73413-6080](#) [734151610](#) [73415-5721](#)