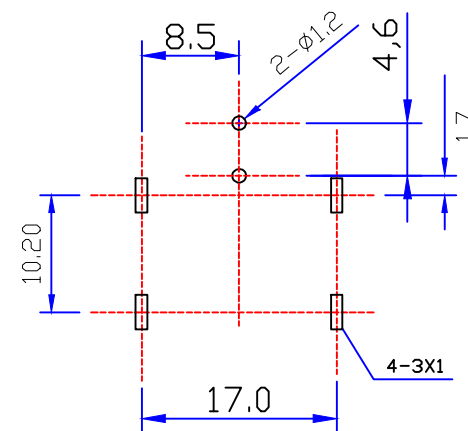
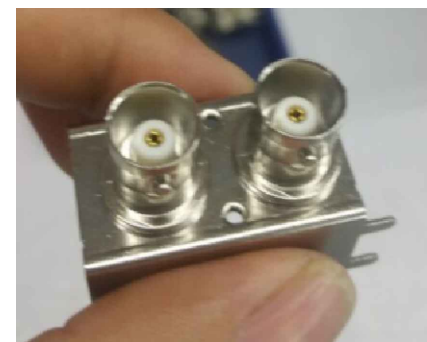
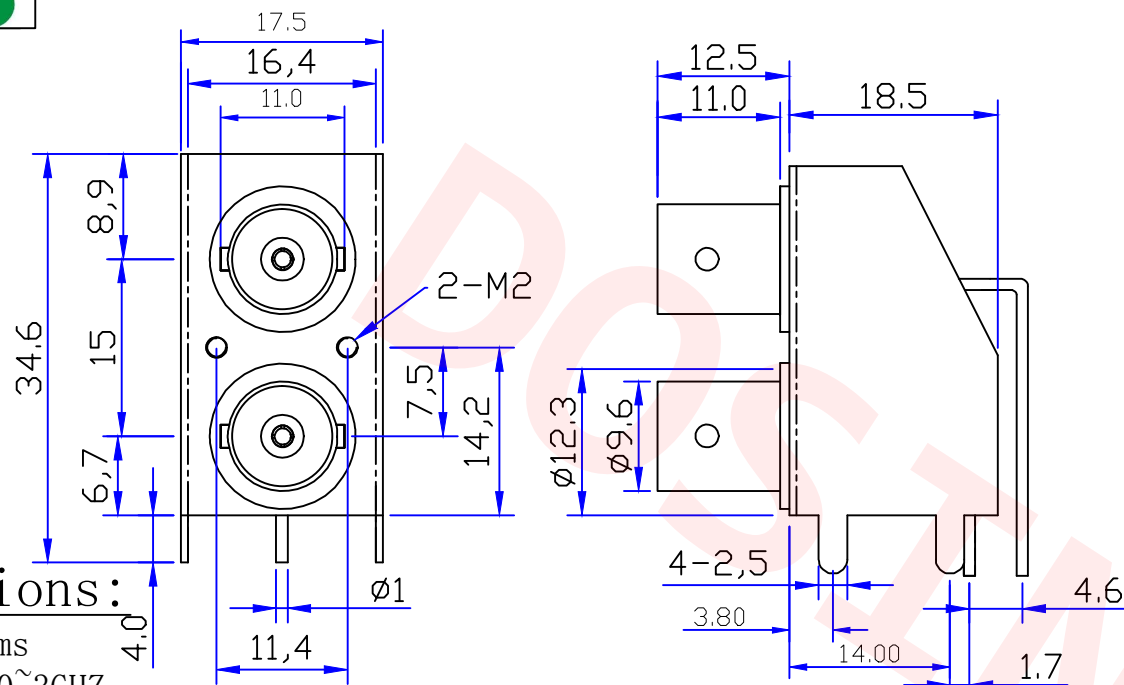




| | | | | |
|-------------|-------------|------------------|------------|-----------|
| Product NO. | | DOSIN-801-0285-D | | |
| REV | DESCRIPTION | DWN | DATE | APPROVEN |
| A | First issue | Mr. Wang | 2015/07/24 | John kine |
| B | 三瓣冲针更改为四瓣冲针 | Mr. chen | 2017/08/25 | John kine |



Specifications:

IMPEDANCE: 50 Ohms
 Frequency range: 0~3GHZ
 VSWR: 1.3MAX
 Working voltage: 500V rms @ sea level
 Insulation resistance: 5000 Ohms min
 Temperature range: -40°C TO +110°C
 Relative temperature: ≤95% (40° C ± 2° C)

NOTE:

| | | |
|-----------|---------|-------|
| Tolerance | 0-6 | ±0.15 |
| | 6-30 | ±0.20 |
| | 30-120 | ±0.50 |
| | Angular | ±5° |



Dosin Industrial (H.K) Co., Ltd

东莞市德索五金电子制品有限公司
 Dosin Hardware Electronics Co., Ltd

E-mail: dosin2005@163.com
 dosin2005@dosing-china.com
 Web: http://www.dosinconn.com
 TEL: (0086) 769-81153906
 FAX: (0086) 769-81875836

| | | | | |
|----|------------------|----------|--------|-----|
| 1 | Body | Zinc | Nickel | 2 |
| 2 | Insulator | POM | White | 2 |
| 3 | Center contact | Brass | GOLD | 2 |
| 4 | BRACKET | Iron | Nickel | 1 |
| 5 | | | | |
| 6 | | | | |
| NO | Component Number | Material | Finish | QTY |

| | |
|-----------|-------------|
| DRAWN | Zelin. CHEN |
| CHECKED | |
| APPROVALS | John |

| | |
|-------|-----|
| View | |
| UNIT | MM |
| SCALE | 1:1 |

| | | | |
|------------|-----------------------|-------------------|--|
| Name: | | BNC 2X1 CONNECTOR | |
| SIZE | Product NO. | REV | |
| A | DOSIN-801-0285-D | B | |
| Date | CAD FILE | SHEET: 1 OF 1 | |
| Time | H/company drawings/BD | | |
| 2017/08/25 | | | |

X-ON Electronics

Largest Supplier of Electrical and Electronic Components

Click to view similar products for [RF Connectors](#) / [Coaxial Connectors](#) category:

Click to view products by [dosinconn](#) manufacturer:

Other Similar products are found below :

[89674-0827](#) [6059674-1](#) [630059-000](#) [6501-1071-002](#) [6769](#) [7002-1541-010](#) [7002-1572-002](#) [7004-1512-000](#) [7009-1511-004](#) [7101-1541-010](#)
[7101-1571-002](#) [7105-1521-002](#) [7145-1521-002](#) [7203-1571-003](#) [7209-1511-011](#) [7210-1511-040](#) [7242-1511-000](#) [7405-1521-005](#) [7405-1521-](#)
[802](#) [804S01D04M040](#) [8527](#) [8547](#) [FS11V](#) [877931](#) [8808-1511-001](#) [9049-9513-000](#) [9074-9513-000](#) [PL11C-026](#) [PL40-36](#) [9408-1113-000](#)
[980-8666-005](#) [11 SMA-50-2-6 / 111 NE](#) [11 SMA-50-3-6 / 111 NE](#) [11 SMA-50-2-6/111 NH](#) [1-201144-1](#) [120919](#) [R107003010W](#) [R112186000](#)
[R113053000W](#) [R113082097](#) [R113236000](#) [R114083000](#) [R114670000W](#) [R123415000W](#) [R124072220W](#) [R124076320](#) [R124076450](#)
[R124175123](#) [R124176123W](#) [R125075000W](#)