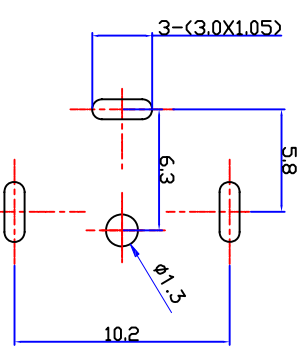
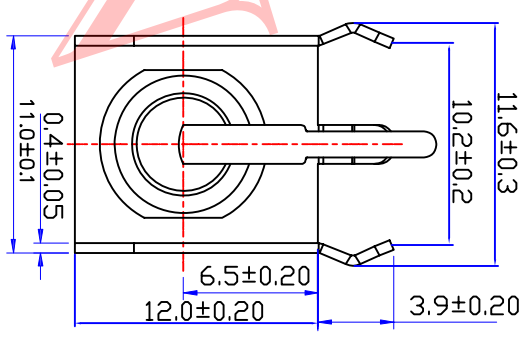
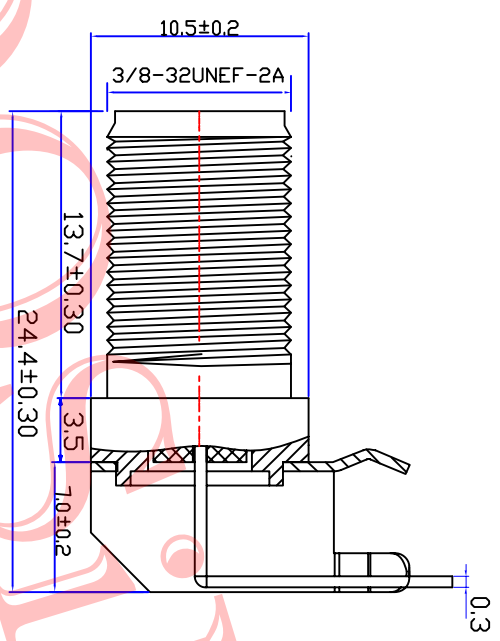
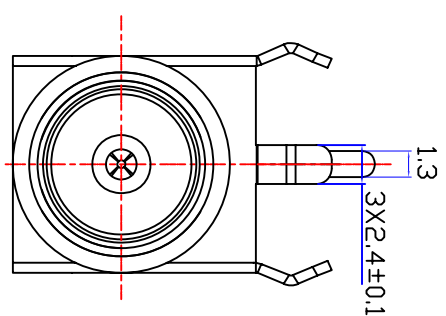
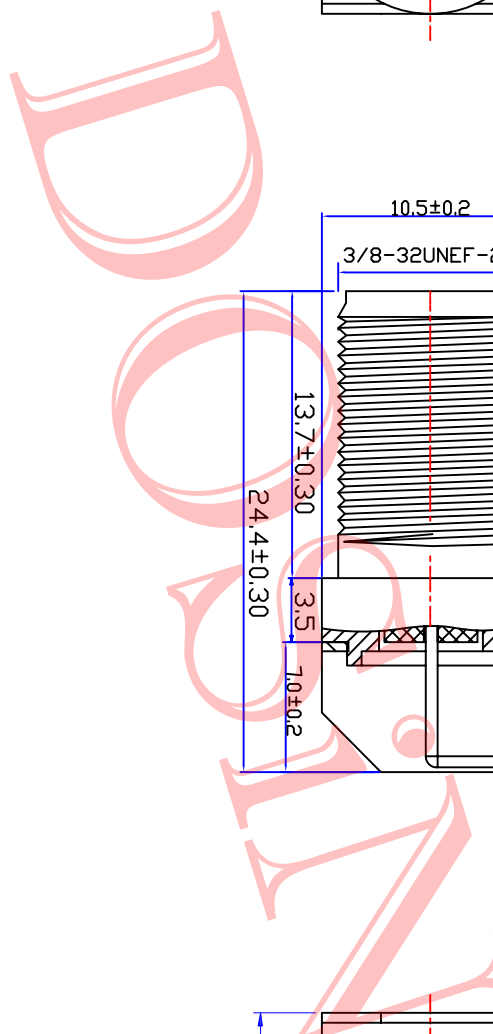




Product NO.		DOSIN-803-0007		
REV	DESCRIPTION	DWN	DATE	APPROVEN
A	First Issue	JIM	2010/02/03	John kime



Recommended P.C.B. Layoure



Specification:

VSWR: 1.3MAX
 Frequency range:DC~3G
 Working Voltage:500V rms @ sea level
 Insulation resistance:5000 Ohms min
 Temperature range:-55°C T0 +155°C
 Relative temperature:≤95%(40° C±2° C)
 Drawings products are in line with ROHS standards.

1	BODY-00001-NI-0	Brass	NICKEL	1	NOTE:
2	PIN-00001-0	Brass	Tin plating	1	
3	Insulator-00001-0	PP		1	
4	Fixed foot	Iron plates	NICKEL	1	

6	Component Number	Material	Finish	QTY	APPROVALS	DATE	SCALE	UNIT	MM	1:1
10					Checked	2012/04/10		View	±0.2 ±0.3 ±0.5	
9					Drawn	2012/04/10		UNIT	±0.2 ±0.3 ±0.5	
8					Checked	2012/04/10		View	±0.2 ±0.3 ±0.5	
7					Checked	2012/04/10		UNIT	±0.2 ±0.3 ±0.5	
6					Checked	2012/04/10		View	±0.2 ±0.3 ±0.5	
5					Checked	2012/04/10		UNIT	±0.2 ±0.3 ±0.5	
4					Checked	2012/04/10		View	±0.2 ±0.3 ±0.5	
3					Checked	2012/04/10		UNIT	±0.2 ±0.3 ±0.5	
2					Checked	2012/04/10		View	±0.2 ±0.3 ±0.5	
1					Checked	2012/04/10		UNIT	±0.2 ±0.3 ±0.5	

Dosin Industrial(H.K)Co.Ltd
 Dosin Hardware Electronics Co.,Ltd
 E-mail: dosin2005@163.com
 dosin2005@dosing.com
 dosin2005@dosin-china.com
 Web: http://www.china-guan.com
 TEL: (0086)769-81153906
 FAX: (0086)769-81875836

F CONNECTOR

Product NO. DOSIN-803-0007

DATE 2012/04/10

CAD FILE D:/company drawings/BD

SHEET: 1 OF 1

X-ON Electronics

Largest Supplier of Electrical and Electronic Components

Click to view similar products for [RF Connectors](#) / [Coaxial Connectors](#) category:

Click to view products by [dosinconn](#) manufacturer:

Other Similar products are found below :

[R125315120](#) [8915-1511-000](#) [89674-0827](#) [5916-1103-603](#) [0106-001-000](#) [6-0001-3](#) [6001-7071-019](#) [6002-7051-003](#) [6002-7551-202](#) [6059674-1](#) [619550-1](#) [630059-000](#) [M39012/25-0021](#) [M39012/79-3008](#) [M39030/3-01N](#) [M39030/3-03N](#) [M3933/25-29N](#) [M3933/25-36N](#) [6500-7071-046](#) [6501-1071-002](#) [M83723/72W24576](#) [M83723/72W2457N](#) [6769](#) [CX050L2AQ](#) [7002-1541-010](#) [7003-1572-002](#) [7004-1512-000](#) [7009-1511-004](#) [7010-1511-000](#) [7029-1511-060](#) [7101-1541-010](#) [7101-1571-002](#) [7105-1521-002](#) [7145-1521-002](#) [7209-1511-011](#) [7210-1511-012](#) [7210-1511-015](#) [7210-1511-019](#) [7210-1511-040](#) [7225-1512-050](#) [7242-1511-000](#) [73137-5015](#) [73251-0111](#) [73251-0672](#) [73276-1501](#) [73366-0013](#) [73404-2300](#) [73413-6080](#) [734151610](#) [73415-5721](#)