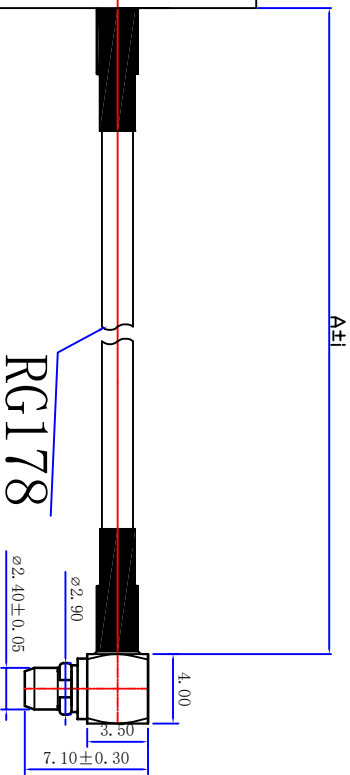
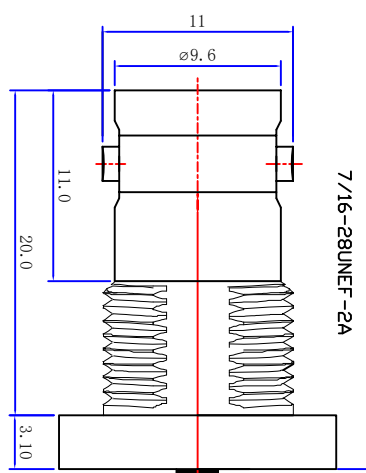
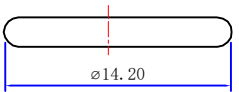
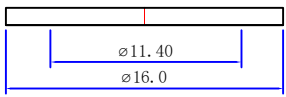
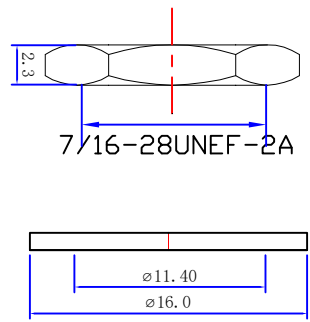
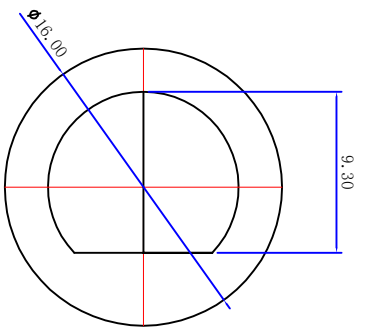




Customer NO: DOSIN-811-0677

REV	DESCRIPTION	DWN	DATE	APPROVEN
A	First Issue	Mr. CHEN	2019/3/22	John kine
B	增加料号	W. cheng	2020/07/20	John kine



Specification:
 Impedance: 50 Ohms
 VSMR:1.3MAX
 Frequency range:DC~3G
 Working Voltage:500V rms @ sea level
 Insulation resistance:5000 Ohms min
 Temperature range:-55°C TO +155°C
 Relative temperature: ≤95%(40° C±2° C)
 Drawings products are in line with ROHS standards.

6	3	2	1
MMCX R/A PLUG	BRASS	GOLD	1
CABLE	RG178		230
BNC JACK	BRASS	NICKEL	1
DESCRIPTION	MATERIAL	FINISH	QTY

NOTE:		Tolerance	
DRAWN	Zelin.chen	X	±0.15
CHECKED		X.X	±0.10
APPROVALS	John	X.XX	±0.05
		Angular	±5°
View		MM	
UNIT		SCALE	1:1

PRODUCT NO	SIZE(A)	TOLERANCE(i)
DOSIN-811-0677	230mm	5.0mm
DOSIN-811-0677A	300mm	10.0mm

DOSIN *Dosin Industrial(HK)Co.Ltd*
 东莞市德泰五金电子有限公司
Dosin Hardware Electronics Co., Ltd
 Name: BNC JACK TO MMCX R/A PLUG FOR RG178 CABLE
 E-mail: dosin2005@163.com
 dosin2005@dosing-china.com
 Web: http://www.dosing.com
 TEL: (0086) 769-81153906
 FAX: (0086) 769-81875836

SIZE	Product NO.	CAD FILE	SHEET: 1 OF 1
A	DOSIN-811-0677	H/company drawings/BD	REV B

X-ON Electronics

Largest Supplier of Electrical and Electronic Components

Click to view similar products for [RF Connectors / Coaxial Connectors](#) category:

Click to view products by [dosinconn](#) manufacturer:

Other Similar products are found below :

[8915-1511-000](#) [89674-0827](#) [6001-7071-019](#) [6002-7051-003](#) [6059674-1](#) [619550-1](#) [630059-000](#) [M39012/25-3026](#) [M39030/3-01N](#) [6501-1071-002](#) [6769](#) [7002-1541-010](#) [7002-1572-002](#) [7003-1542-011](#) [7004-1512-000](#) [7009-1511-004](#) [7029-1511-060](#) [7101-1541-010](#) [7101-1571-002](#) [7105-1521-002](#) [7203-1571-003](#) [7209-1511-011](#) [7210-1511-015](#) [7210-1511-040](#) [7242-1511-000](#) [73216-2241](#) [73404-2300](#) [7405-1521-005](#) [7405-1521-802](#) [7406-1521-005](#) [8527](#) [8547](#) [FS11V](#) [877931](#) [8808-1511-001](#) [9049-9513-000](#) [9074-9513-000](#) [910A205F](#) [PL40-36](#) [PL40-5](#) [PL71-9](#) [980-8666-005](#) [1200690078](#) [1-201144-1](#) [120919](#) [R107003010W](#) [R110A172100](#) [R112186000](#) [R113053000W](#) [R113081000](#)