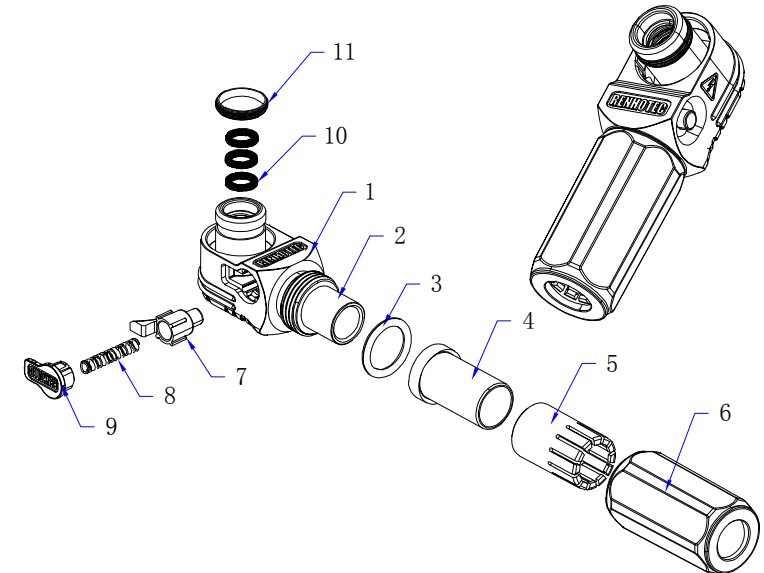
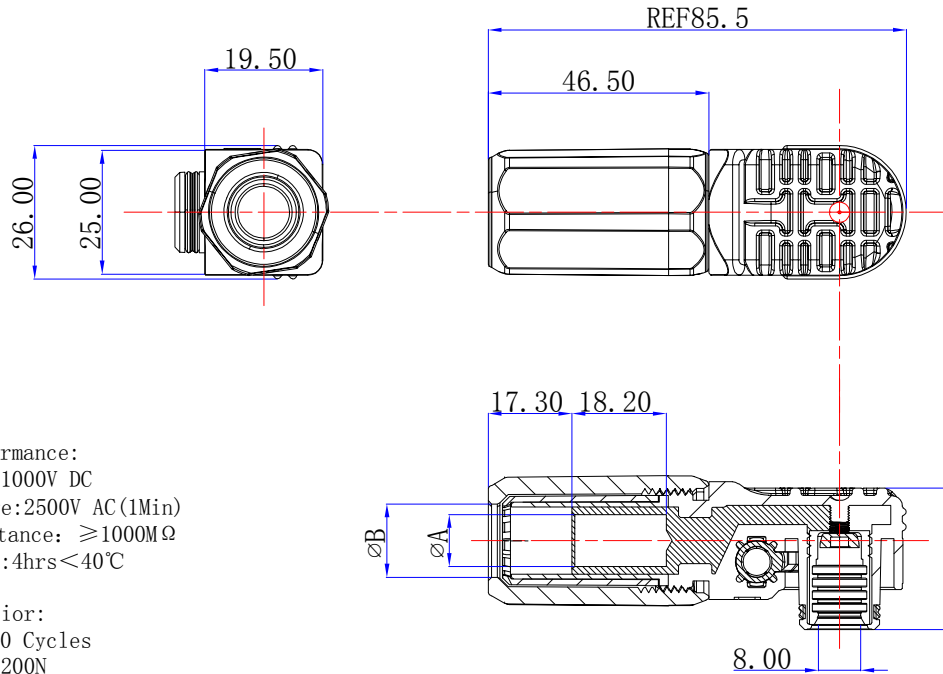




| 版本 | 描述 | 绘制 | 日期 | 核准 |
|----|------|-------|------------|----|
| A | 首次发行 | FULIU | 2023/03/01 | |



Electrical performance:
 Voltage Rating: 1000V DC
 Withstand voltage: 2500V AC(1Min)
 insulation resistance: $\geq 1000M\Omega$
 Temperature Rise: 4hrs < 40°C

Mechanical behavior:
 Durability: >2000 Cycles
 M&F Holding F: >200N
 IP Level: IP67
 Temperature Rating: -40 °C ~ +105 °C
 Flammability: UL94V-0
 <The product has passed CE certification>



| P/N | Colour | Rated current | wire gage | A | B |
|-------------------|--------|---------------|-------------------|-------|-------|
| DOSIN-888-0020-01 | Black | 120A | 25mm ² | 7.80 | 10.20 |
| DOSIN-888-0020-02 | Orange | | | | |
| DOSIN-888-0020-03 | Red | | | | |
| DOSIN-888-0020-04 | Black | 150A | 35mm ² | 9.00 | 11.70 |
| DOSIN-888-0020-05 | Orange | | | | |
| DOSIN-888-0020-06 | Red | | | | |
| DOSIN-888-0020-07 | Black | 200A | 50mm ² | 10.70 | 13.80 |
| DOSIN-888-0020-08 | Orange | | | | |
| DOSIN-888-0020-09 | Red | | | | |

| NO | Description | Material | Finish | Qty |
|----|---------------------|-----------------|--------|-----|
| 11 | Insertion Sealing | Silicone | | 1 |
| 10 | Type O contact ring | C17200 | Ag | 3 |
| 9 | Button Name | PA66 | | 1 |
| 8 | Spring | Stainless Steel | | 1 |
| 7 | Plastic Button | PA66 | | 1 |
| 6 | Tail Cover | PA66 | | 1 |
| 5 | Cable Clamp | PA66 | | 1 |
| 4 | Rubber Sealing | Silicone | | 1 |
| 3 | O-Ring | Silicone | | 1 |
| 2 | Socket | T2 | Ag | 1 |
| 1 | Receptacle Shell | PA66 | | 1 |
| NO | Description | Material | Finish | Qty |

| | | | | |
|---------|-------|-------|--|--|
| 公差 | X. | ±0.50 | DOSIN INDUSTRIAL (HK) CO., LTD 东莞市德索五金电子有限公司 Dongguan Dosin Hardware Electronics Co., Ltd. | Web: http://www.dosinconn.com dosin2005@dosin-china.com Tel: (0086) 769-81153906 Fax: (0086) 769-81875836 |
| | X.X | ±0.20 | | |
| X.XX | ±0.10 | | | |
| Angular | ±5° | | | |
| 视图 | | 品名: | 8mm 90 angled plug (black/orange/red) | |
| 单位 | MM | 料号: | DOSIN-888-0020-XX | 版本 A |
| 比例 | 1 : 1 | 客户料号: | / | 页码: 1 OF 1 |

X-ON Electronics

Largest Supplier of Electrical and Electronic Components

Click to view similar products for [Standard Circular Connector](#) category:

Click to view products by [dosinconn](#) manufacturer:

Other Similar products are found below :

[600273N007](#) [6134-336-13149](#) [6134-337-11149](#) [6134-337-2390](#) [6134-341-17149](#) [67-02E12-60PX](#) [CXS3102A181S](#) [75-190611-03S](#) [75-474014-05S](#) [75-474211-03P](#) [75-474618-04S](#) [75-474620-07P](#) [799539-000](#) [805-005-07NF11-19PC](#) [805-005-07NF15-7PA](#) [FMP.2M.310.XLCT](#) [836783-1](#) [862256-1](#) [866857-1](#) [867865-1](#) [PT08P-14-19S](#) [PT08P-14-5S](#) [QCM019PC2DC012B](#) [121583-0217](#) [121667-0020](#) [RD10A16-19-P6CS051/1](#) [RD16A14-12-S6CS051/2](#) [1301240268](#) [1301240275](#) [DCU-08BFEA-LL7001](#) [RM15WTP-CP\(5\)\(71\)](#) [14482](#) [16283-18](#) [1877910-1](#) [206039-3](#) [206323-1](#) [207002-2](#) [207682-1](#) [CA06COME14SA7P](#) [211777-1](#) [JL04-1012CK\(05\)-R](#) [JL04V-2A28-11PE-R](#) [JL04V-2E10SL-3PE-B-R](#) [JL04V-2E20-15PE-B-R](#) [JL04V-2E20-4PE-B-R](#) [JL04V-6A24-11SE-EB-R](#) [JN1AS04MK1X](#) [JN1HS10PLKS2](#) [JN2AS04MK2X-R](#) [JN2DS10SL3-R](#)