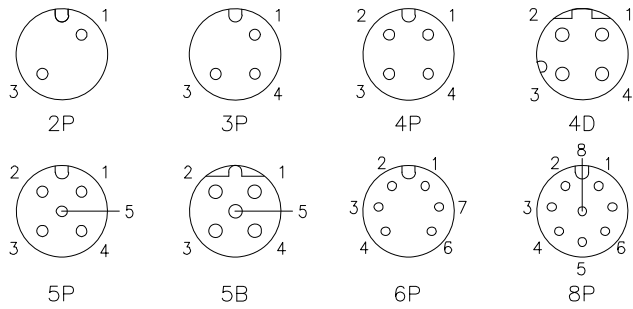


Pin layout

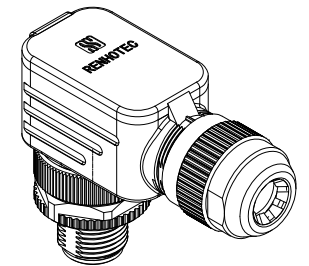
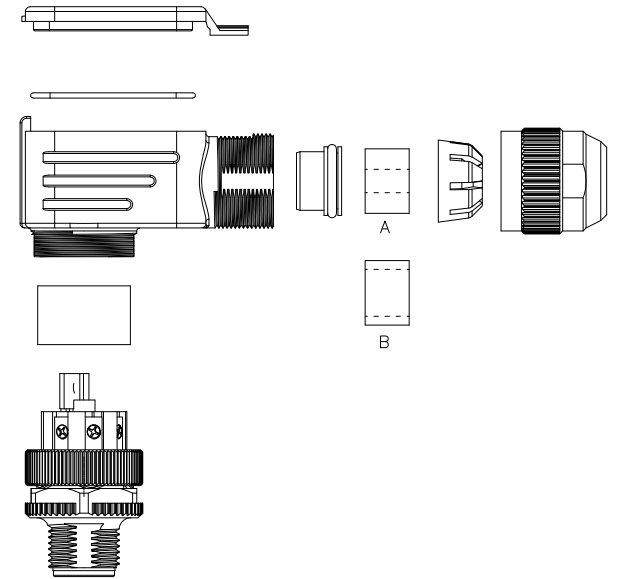
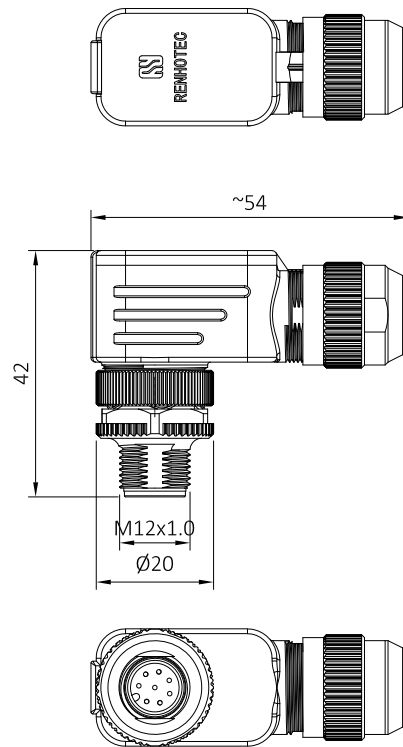


Technical specifications:

Coupling: Threaded coupling
 Termination: screw
 Pollution degree: 3
 Temperature range: -20°C ~ +80°C
 Degree of protection: IP67 when mated
 Mating cycles: ≥500
 Suitable cable Dia: A:4~6mm;B:6~8mm
 Wire gauge: 2~5Pin:AWG22; 6~8Pin:AWG24

Materials:

Contact: Brass
 Contact plating: Gold plated
 Contact insert: TPU Black
 Base shell: Zinc nickel plated
 Hex nut: Brass nickel plated
 Seal: NBR



PIN	2	3	4	4D	5	5B	6	8
Rated voltage/ Current	4A/250V	4A/250V	4A/250V	4A/250V	4A/60V	4A/60V	2A/30V	2A/30V
Rated pulse voltage	2500V	2500V	2500V	2500V	1500V	1500V	800V	800V
Insulation resistance (MΩ)	≥ 100	≥ 100	≥ 100	≥ 100	≥ 100	≥ 100	≥ 100	≥ 100
Contact resistance (mΩ)	≤ 5	≤ 5	≤ 5	≤ 5	≤ 5	≤ 5	≤ 5	≤ 5

<p>-TOLERANCES- UNLESS OTHERWISE SPECIFIED</p> <p>UNLESS OTHERWISE SPECIFIED TOLERANCES FOR MILLIMETERS ARE: 0.5 - 8mm ± 0.20mm 8 - 30mm ± 0.25mm 30 - 120mm ± 0.30mm</p>	<p>dosinconn DOSIN INDUSTRIAL(HK)CO.,LTD 江门市德索连接器有限公司 Jiangmen Dosin Connector Co., LTD</p> <p>Web: https://www.dosinconn.cn/ Mailbox: sale@dosin.cn Tel: (0086)769-81153906</p>										
	<p>PART DESCRIPTION: R/A M12 Male connector, Assembly, Shielded</p>										
	<p>P/N: DS869MCR0441</p>										
	<p>Appr: JIM.KING</p> <p>Check:</p> <p>Draw: DING</p>	<table border="1"> <tr> <td>Date</td> <td>Scale</td> <td>Unit</td> <td>Type</td> <td>Page</td> </tr> <tr> <td>2023.08.08</td> <td>Free</td> <td>MM</td> <td>Z</td> <td>1/1</td> </tr> </table>	Date	Scale	Unit	Type	Page	2023.08.08	Free	MM	Z
Date	Scale	Unit	Type	Page							
2023.08.08	Free	MM	Z	1/1							

X-ON Electronics

Largest Supplier of Electrical and Electronic Components

Click to view similar products for [Standard Circular Connector](#) category:

Click to view products by [dosinconn](#) manufacturer:

Other Similar products are found below :

[600273N007](#) [6134-336-13149](#) [6134-337-11149](#) [6134-337-2390](#) [6134-341-17149](#) [67-02E12-60PX](#) [CXS3102A181S](#) [75-190611-03S](#) [75-474014-05S](#) [75-474211-03P](#) [75-474618-04S](#) [75-474620-07P](#) [799539-000](#) [805-005-07NF11-19PC](#) [805-005-07NF15-7PA](#) [FMP.2M.310.XLCT](#) [836783-1](#) [862256-1](#) [866857-1](#) [867865-1](#) [PT08P-14-19S](#) [PT08P-14-5S](#) [QCM019PC2DC012B](#) [121583-0217](#) [121667-0020](#) [RD10A16-19-P6CS051/1](#) [RD16A14-12-S6CS051/2](#) [1301240268](#) [1301240275](#) [DCU-08BFEA-LL7001](#) [RM15WTP-CP\(5\)\(71\)](#) [14482](#) [16283-18](#) [1877910-1](#) [206039-3](#) [206323-1](#) [207002-2](#) [207682-1](#) [CA06COME14SA7P](#) [211777-1](#) [JL04-1012CK\(05\)-R](#) [JL04V-2A28-11PE-R](#) [JL04V-2E10SL-3PE-B-R](#) [JL04V-2E20-15PE-B-R](#) [JL04V-2E20-4PE-B-R](#) [JL04V-6A24-11SE-EB-R](#) [JN1AS04MK1X](#) [JN1HS10PLKS2](#) [JN2AS04MK2X-R](#) [JN2DS10SL3-R](#)