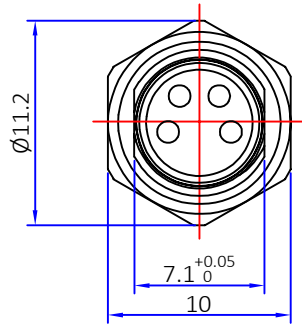
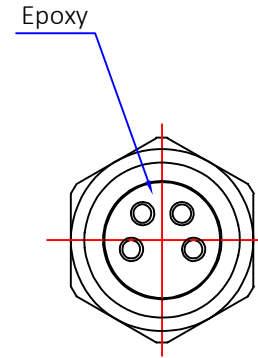
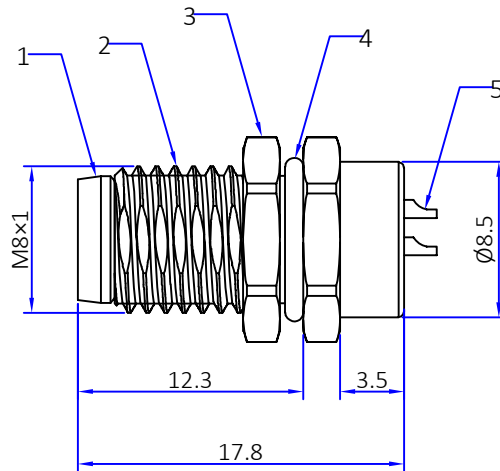




| Rev | 描述<br>Description | 变更编号<br>Change number | 日期<br>Date |
|-----|-------------------|-----------------------|------------|
| A   | First issue       | ---                   | 2023/06/07 |



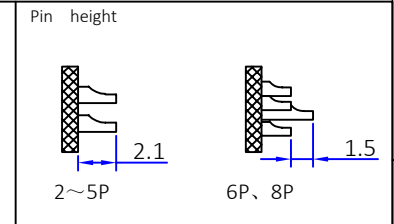
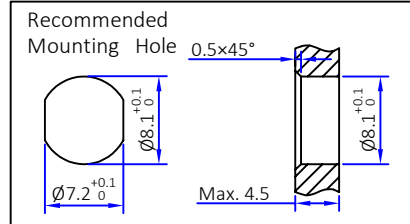
Front View



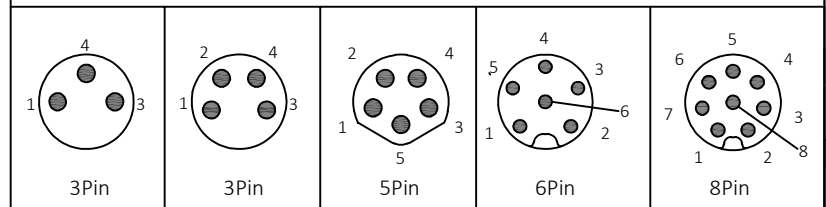
Rear View

NOTES:

- Rated voltage/current: 3pin: 60V/3A  
4pin: 60V/3A  
5pin: 60V/3A  
6, 8pin: 30V/1A
- Withstanding voltage: 3, 4pin: AC850V/1 Min.  
5, 6, 8pin: AC650V/1 Min
- Levels of protection: IP67
- Connection mode: Soldering
- Operating temperature: -20°C ~ +85°C
- RoHS Compliance



Pin Assignments Front View



|     |                   |                |              |                |
|-----|-------------------|----------------|--------------|----------------|
| 5   | Contacts          | Brass          | Gold         | 3-8PCS         |
| 4   | O-Ring            | Rubber         | /            | 1PCS           |
| 3   | Nut M8*1          | Brass          | Nickel       | 1PCS           |
| 2   | Body              | Brass          | Nickel       | 1PCS           |
| 1   | Insulator         | PA66           | Black        | 1PCS           |
| No. | 描述<br>Description | 材质<br>Material | 材质<br>Finish | 数量<br>Qty/Unit |

|  |    |   |     |   |  |
|--|----|---|-----|---|--|
| The View   |    | <b>dosinconn</b> DOSIN INDUSTRIAL(HK)CO.,LTD<br>江门市德索连接器有限公司<br>Jiangmen Dosin Connector Co., LTD |     | Web: <a href="http://www.dosinconn.com">http://www.dosinconn.com</a><br>Dosin2005@dosin-china.com<br>Tel:(0086)769-81153906<br>Fax:(0086)769-81875836 |  |
| 单位<br>unit   | mm | 页码<br>page  | 1/1 | 料号 Part Number DS869MCS0281<br>产品名称 Product name Circular Panel Mount, Male, M8   |  |
| 图号 Drawing NO  |    | 未注公差 Unmarked tolerance   |     | 绘图 Draw drawing<br>Huang guanhui  |  |
| 文件保密 File security<br>This drawing shall not be copied, circulated or used for other purposes without permission.<br>本图纸未经许可, 不可复制、外传或它用 |    | 零部件 Parts<br>X. ±0.5<br>X.X ±0.20<br>X.XX ±0.10   |     | 线性 Line<br>≤10 ±1<br>10~50 ±1.5<br>>50 ±4%  |  |
|  |    | 角度 angle ±3°  |     | 审核 Check<br>FuLiu   |  |
|  |    |   |     | 客户确认 Customer confirmation  |  |

## X-ON Electronics

Largest Supplier of Electrical and Electronic Components

*Click to view similar products for [Standard Circular Connector](#) category:*

*Click to view products by [dosinconn](#) manufacturer:*

Other Similar products are found below :

[600273N007](#) [6134-336-13149](#) [6134-337-11149](#) [6134-337-2390](#) [6134-341-17149](#) [67-02E12-60PX](#) [CXS3102A181S](#) [75-190611-03S](#) [75-474014-05S](#) [75-474211-03P](#) [75-474618-04S](#) [75-474620-07P](#) [799539-000](#) [805-005-07NF11-19PC](#) [805-005-07NF15-7PA](#) [FMP.2M.310.XLCT](#) [836783-1](#) [862256-1](#) [866857-1](#) [867865-1](#) [PT08P-14-19S](#) [PT08P-14-5S](#) [QCM019PC2DC012B](#) [121583-0217](#) [121667-0020](#) [RD10A16-19-P6CS051/1](#) [RD16A14-12-S6CS051/2](#) [1301240268](#) [1301240275](#) [DCU-08BFEA-LL7001](#) [RM15WTP-CP\(5\)\(71\)](#) [14482](#) [16283-18](#) [1877910-1](#) [206039-3](#) [206323-1](#) [207002-2](#) [207682-1](#) [CA06COME14SA7P](#) [211777-1](#) [JL04-1012CK\(05\)-R](#) [JL04V-2A28-11PE-R](#) [JL04V-2E10SL-3PE-B-R](#) [JL04V-2E20-15PE-B-R](#) [JL04V-2E20-4PE-B-R](#) [JL04V-6A24-11SE-EB-R](#) [JN1AS04MK1X](#) [JN1HS10PLKS2](#) [JN2AS04MK2X-R](#) [JN2DS10SL3-R](#)