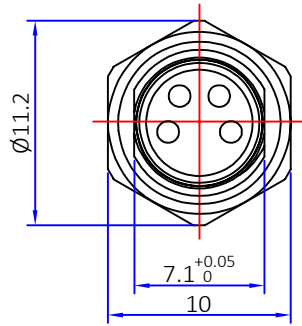
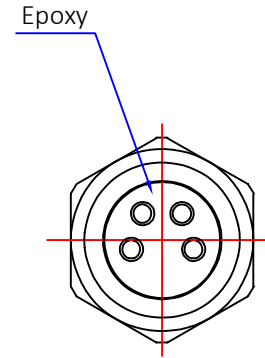
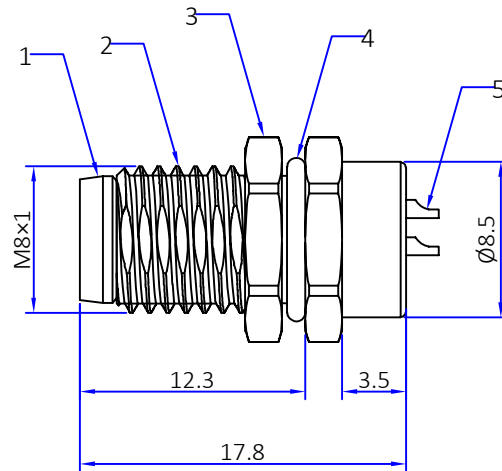




Rev	描述 Description	变更编号 Change number	日期 Date
A	First issue	---	2023/06/07



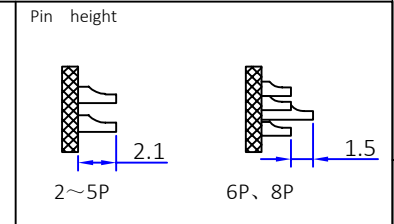
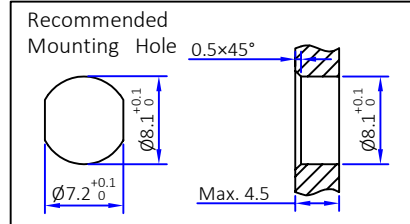
Front View



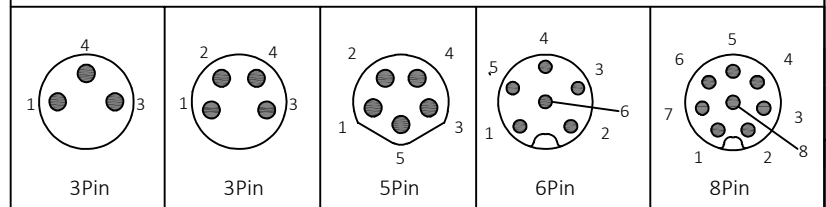
Rear View

NOTES:

- Rated voltage/current: 3pin: 60V/3A
4pin: 60V/3A
5pin: 60V/3A
6, 8pin: 30V/1A
- Withstanding voltage: 3, 4pin: AC850V/1 Min.
5, 6, 8pin: AC650V/1 Min
- Levels of protection: IP67
- Connection mode: Soldering
- Operating temperature: -20°C ~ +85°C
- RoHS Compliance



Pin Assignments Front View



5	Contacts	Brass	Gold	3-8PCS
4	O-Ring	Rubber	/	1PCS
3	Nut M8*1	Brass	Nickel	1PCS
2	Body	Brass	Nickel	1PCS
1	Insulator	PA66	Black	1PCS
No.	描述 Description	材质 Material	材质 Finish	数量 Qty/Unit

The View		dosinconn DOSIN INDUSTRIAL(HK)CO.,LTD 江门市德索连接器有限公司 Jiangmen Dosin Connector Co., LTD		Web: http://www.dosinconn.com Dosin2005@dosin-china.com Tel:(0086)769-81153906 Fax:(0086)769-81875836	
单位 unit	mm	页码 page	1/1	料号 Part Number	DS869MCS0281
图号 Drawing NO		文件保密 File security This drawing shall not be copied, circulated or used for other purposes without permission. 本图纸未经许可, 不可复制、外传或它用		产品名称 Product name	Circular Panel Mount, Male, M8
未注公差 Unmarked tolerance		零件 Parts X. ±0.5 X.X ±0.20 X.XX ±0.10	线性 Line ≤10 ±1 10~50 ±1.5 >50 ±4%	绘图 Draw drawing	Huang guanhui
角度 angle ±3°		客户确认 Customer confirmation		审核 Check	FuLiu

X-ON Electronics

Largest Supplier of Electrical and Electronic Components

Click to view similar products for [Standard Circular Connector](#) category:

Click to view products by [dosinconn](#) manufacturer:

Other Similar products are found below :

[600273N007](#) [6134-336-13149](#) [6134-337-11149](#) [6134-337-2390](#) [6134-341-17149](#) [67-02E12-60PX](#) [CXS3102A181S](#) [75-190611-03S](#) [75-474014-05S](#) [75-474211-03P](#) [75-474618-04S](#) [75-474620-07P](#) [799539-000](#) [805-005-07NF11-19PC](#) [805-005-07NF15-7PA](#) [FMP.2M.310.XLCT](#) [836783-1](#) [862256-1](#) [866857-1](#) [867865-1](#) [PT08P-14-19S](#) [PT08P-14-5S](#) [QCM019PC2DC012B](#) [121583-0217](#) [121667-0020](#) [RD10A16-19-P6CS051/1](#) [RD16A14-12-S6CS051/2](#) [1301240268](#) [1301240275](#) [DCU-08BFEA-LL7001](#) [RM15WTP-CP\(5\)\(71\)](#) [14482](#) [16283-18](#) [1877910-1](#) [206039-3](#) [206323-1](#) [207002-2](#) [207682-1](#) [CA06COME14SA7P](#) [211777-1](#) [JL04-1012CK\(05\)-R](#) [JL04V-2A28-11PE-R](#) [JL04V-2E10SL-3PE-B-R](#) [JL04V-2E20-15PE-B-R](#) [JL04V-2E20-4PE-B-R](#) [JL04V-6A24-11SE-EB-R](#) [JN1AS04MK1X](#) [JN1HS10PLKS2](#) [JN2AS04MK2X-R](#) [JN2DS10SL3-R](#)