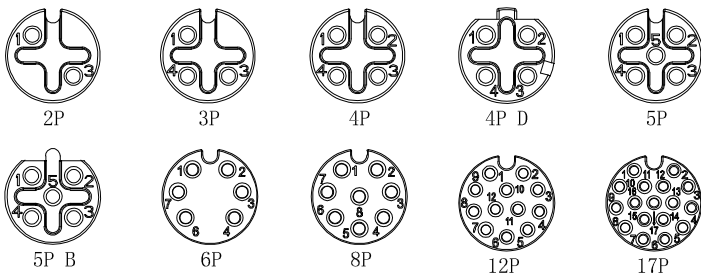


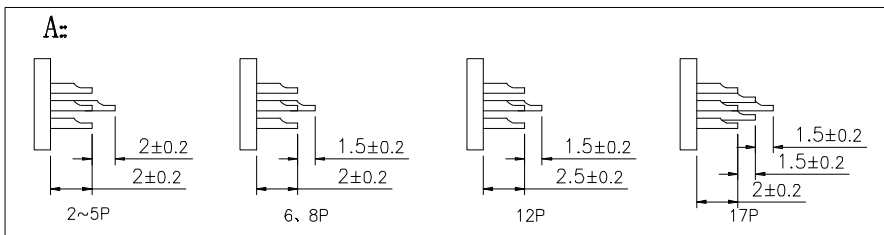
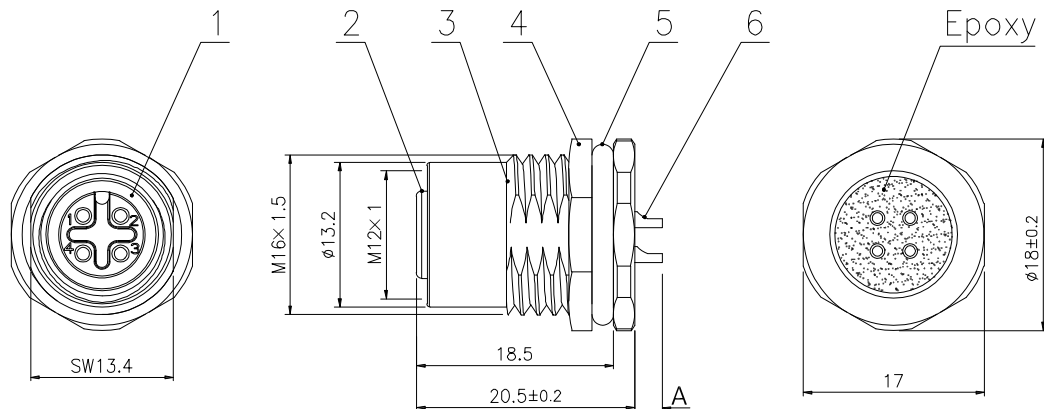
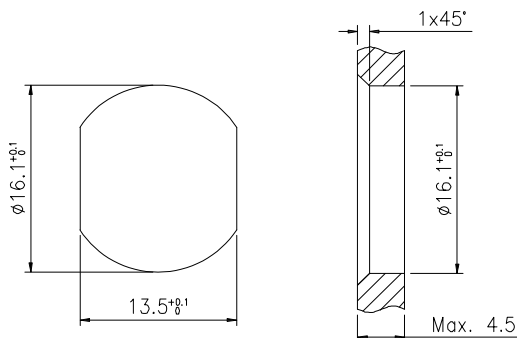
# Pin Layout



## Specifications

	Contacts	Product NO. RHT-634-3065										
		ISSUE R1.0						DESCRIPTION First issue		DWN Ding	DATE 2021/11/11	APPROVEN JIM.KING
		2	3	4	4D	5	5B	6	8	12	17	
Rated current/ Rated voltage		4A/250V	4A/250V	4A/250V	4A/250V	4A/60V	4A/60V	2A/30V	2A/30V	1.5A/30V	1.5A/3	
Rated pulse voltage		2500V	2500V	2500V	2500V	1500V	1500V	800V	800V	800V	800V	
Insulation resistance (MΩ)	≥100	≥100	≥100	≥100	≥100	≥100	≥100	≥100	≥100	≥100	≥10	
Contact resistance (mΩ)	≤5	≤5	≤5	≤5	≤5	≤5	≤5	≤5	≤5	≤5	≤5	

## Panel Cut-out Dimensions



6	Contacts	Brass	Gold plated	pc	2~17
5	O-ring	Rubber	/	pc	1
4	Nut	Brass	Nickel plated	pc	1
3	Body	Brass	Nickel plated	pc	1
2	Connector insert	PA66	/	pc	1
1	O-ring	Rubber	/	pc	1
No.	Specification	Material	Treat	Unit	O'tv

-TOLERANCES-  
UNLESS OTHERWISE  
SPECIFIED

UNLESS OTHERWISE SPECIFIED  
TOLERANCES FOR MILLIMETERS ARE:  
0.5 - 8mm ± 0.20mm  
8 - 30mm ± 0.25mm  
30 - 120mm ± 0.30mm

## RENHOTEC GROUP

PART DESCRIPTION:  
M12 Female, Panel Mount, Solder, Front fastened

Appr: JIM.KING  
Check: \_\_\_\_\_  
Date: \_\_\_\_\_  
Scale: \_\_\_\_\_  
Unit: \_\_\_\_\_  
Type: \_\_\_\_\_  
Page: \_\_\_\_\_

Draw: DING  
Date: 2021.11.11  
Scale: Free  
Unit: MM  
Type: Z  
Page: 1/1

## X-ON Electronics

Largest Supplier of Electrical and Electronic Components

*Click to view similar products for [Standard Circular Connector](#) category:*

*Click to view products by [dosinconn](#) manufacturer:*

Other Similar products are found below :

[600273N007](#) [6134-336-13149](#) [6134-337-11149](#) [6134-337-2390](#) [6134-341-17149](#) [67-02E12-60PX](#) [CXS3102A181S](#) [75-190611-03S](#) [75-474014-05S](#) [75-474211-03P](#) [75-474618-04S](#) [75-474620-07P](#) [799539-000](#) [805-005-07NF11-19PC](#) [805-005-07NF15-7PA](#) [FMP.2M.310.XLCT](#) [836783-1](#) [862256-1](#) [866857-1](#) [867865-1](#) [PT08P-14-19S](#) [PT08P-14-5S](#) [QCM019PC2DC012B](#) [121583-0217](#) [121667-0020](#) [RD10A16-19-P6CS051/1](#) [RD16A14-12-S6CS051/2](#) [1301240268](#) [1301240275](#) [DCU-08BFEA-LL7001](#) [RM15WTP-CP\(5\)\(71\)](#) [14482](#) [16283-18](#) [1877910-1](#) [206039-3](#) [206323-1](#) [207002-2](#) [207682-1](#) [CA06COME14SA7P](#) [211777-1](#) [JL04-1012CK\(05\)-R](#) [JL04V-2A28-11PE-R](#) [JL04V-2E10SL-3PE-B-R](#) [JL04V-2E20-15PE-B-R](#) [JL04V-2E20-4PE-B-R](#) [JL04V-6A24-11SE-EB-R](#) [JN1AS04MK1X](#) [JN1HS10PLKS2](#) [JN2AS04MK2X-R](#) [JN2DS10SL3-R](#)