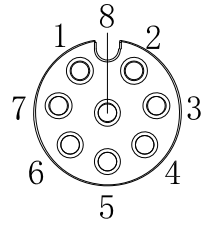
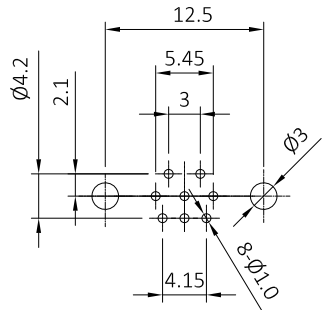
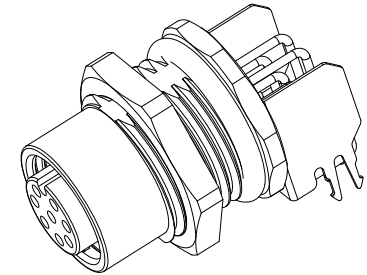
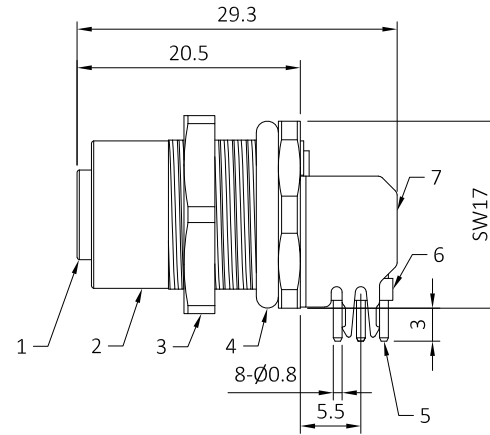
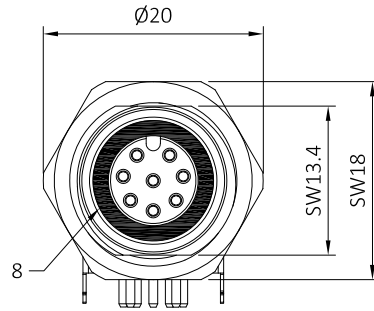




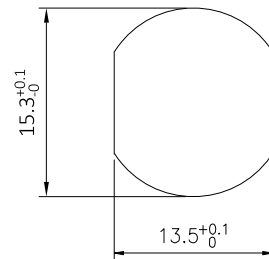
Product NO.		RHT-634-3201			
ISSUE	DESCRIPTION	DWN	DATE	APPROVEN	
R1.0	First issue	Ding	2022.10.06	JIM.KING	



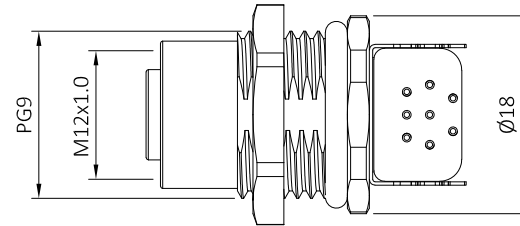
Pin Assignment Front View



PCB Layout



Recommended Panel cut-out



**Specifications:**

- 1.IP rating: IP67
- 2.Ambient temperature: -25°C~+80°C
- 3.Mating endurance: >500cycles
- 4.Rated voltage: 60V AC/DC
- 5.Rated current:4A
- 6.Contact resistance: ≤5mΩ
- 7.Insulation resistance: ≥ 100 MΩ

8	O-Ring	FKM,green	1
7	Shielded	Brass,Nikel-plated	1
6	Plastic parts	PA66,Black	1
5	Pin	Brass; Gold-plated	8
4	O-Ring	FKM, Black	1
3	Nut	Brass; Nickel plated	1
2	Body	M12 female Shell, Brass; Nickel plated	1
1	Housing	M12 8Pin female A-Coding,PA66,Black	1
No.	PART NAME	DESCRIPTION	Q'TY

-TOLERANCES- UNLESS OTHERWISE SPECIFIED	<b>RENHOTEC GROUP</b>					
	PART DESCRIPTION: R/A M12 A-code 8Pin Female PCB Socket					
UNLESS OTHERWISE SPECIFIED TOLERANCES FOR MILLIMETERS ARE: 0.5 - 8mm ± 0.20mm 8 - 30mm ± 0.25mm 30 - 120mm ± 0.30mm	Appr: JIM.KING	P/N: RHT-634-3201				
	Check:	Date	Scale	Unit	Type	Page
	Draw: DING	2022.10.06	Free	MM	Z	1/1

## X-ON Electronics

Largest Supplier of Electrical and Electronic Components

*Click to view similar products for [Standard Circular Connector](#) category:*

*Click to view products by [dosinconn](#) manufacturer:*

Other Similar products are found below :

[600273N007](#) [6134-336-13149](#) [6134-337-11149](#) [6134-337-2390](#) [6134-341-17149](#) [67-02E12-60PX](#) [CXS3102A181S](#) [75-190611-03S](#) [75-474014-05S](#) [75-474211-03P](#) [75-474618-04S](#) [75-474620-07P](#) [799539-000](#) [805-005-07NF11-19PC](#) [805-005-07NF15-7PA](#) [FMP.2M.310.XLCT](#) [836783-1](#) [862256-1](#) [866857-1](#) [867865-1](#) [PT08P-14-19S](#) [PT08P-14-5S](#) [QCM019PC2DC012B](#) [121583-0217](#) [121667-0020](#) [RD10A16-19-P6CS051/1](#) [RD16A14-12-S6CS051/2](#) [1301240268](#) [1301240275](#) [DCU-08BFEA-LL7001](#) [RM15WTP-CP\(5\)\(71\)](#) [14482](#) [16283-18](#) [1877910-1](#) [206039-3](#) [206323-1](#) [207002-2](#) [207682-1](#) [CA06COME14SA7P](#) [211777-1](#) [JL04-1012CK\(05\)-R](#) [JL04V-2A28-11PE-R](#) [JL04V-2E10SL-3PE-B-R](#) [JL04V-2E20-15PE-B-R](#) [JL04V-2E20-4PE-B-R](#) [JL04V-6A24-11SE-EB-R](#) [JN1AS04MK1X](#) [JN1HS10PLKS2](#) [JN2AS04MK2X-R](#) [JN2DS10SL3-R](#)