



■ Features

- Fast Switching Device (TRR <4.0 nS)
- Power Dissipation of 200mW
- High Stability and High Reliability
- Low reverse leakage

■ Applications

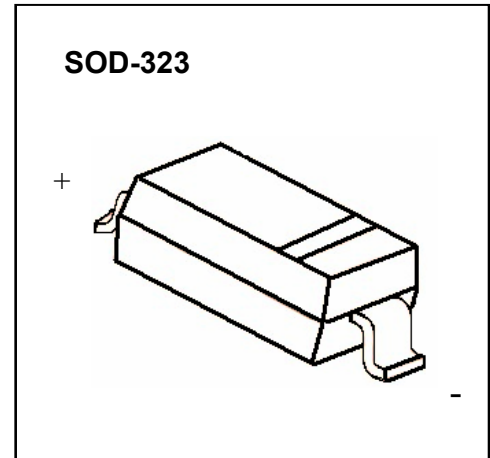
- For General Purpose Switching Applications

■ Mechanical Data

- package:SOD-323
- Polarity: Color band denotes cathode end
- Flammability rating of epoxy resin: UL 94V-0
- Mounting Position: Any

■ Ordering Information

Part Number	Package	Marking	Packing	Quantity per reel	Reel Size
1N4148WS	SOD-323	T4	Tape & Reel	3,000 PCS	7 inches



Maximum Ratings & Thermal Characteristics(Ratings at 25 °C ambient temperature unless otherwise specified.)

Parameters	Symbol	Value	Unit
Reverse Voltage	V_R	75	V
Peak Reverse Voltage	V_{RM}	100	V
Power Dissipation	P_d	200	mW
Operating junction temperature	T_j	150	°C
Storage temperature range	T_s	-55-+150	°C
Thermal Resistance from Junction to Ambient	$R_{\theta JA}$	625	°C/W
Working Inverse Voltage	W_{IV}	75	V
Average Rectified Current	I_o	150	mA
Forward Continuous Current	I_{FM}	300	mA
Non-repetitive Peak Forward Surge Current @ $t=8.3ms$	I_{FSM}	2.0	A

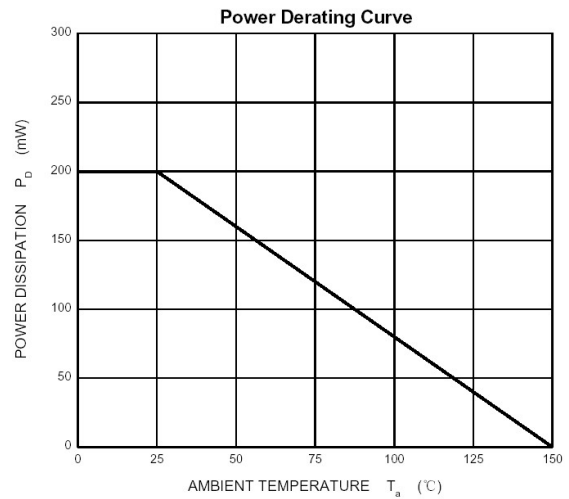
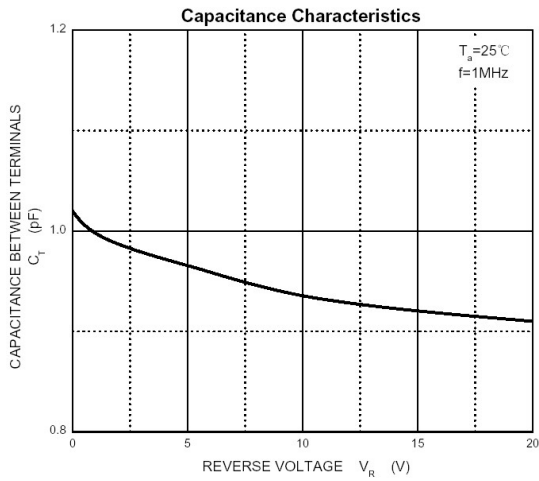
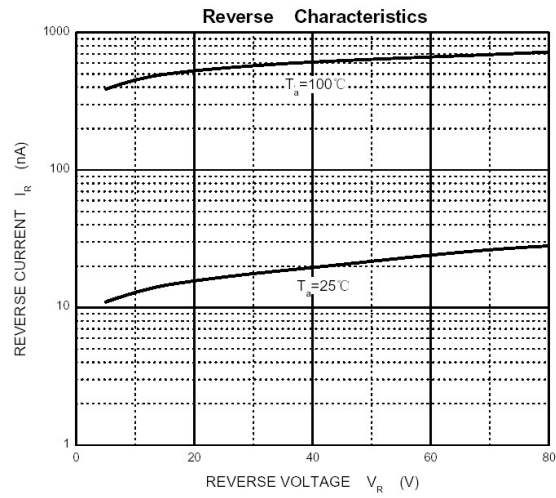
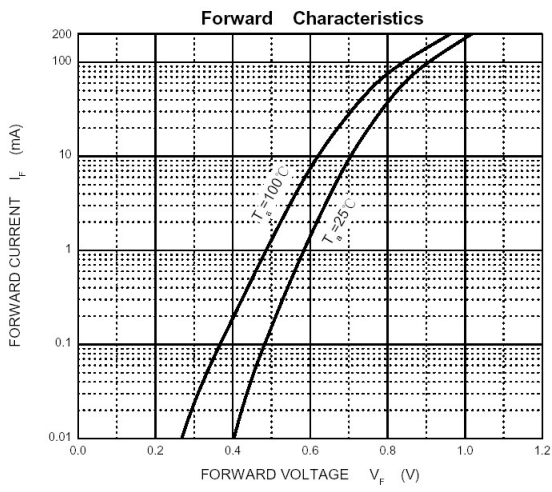
Valid provided that electrodes are kept at ambient temperature.

Electrical Characteristics(Ratings at 25 °C ambient temperature unless otherwise specified)

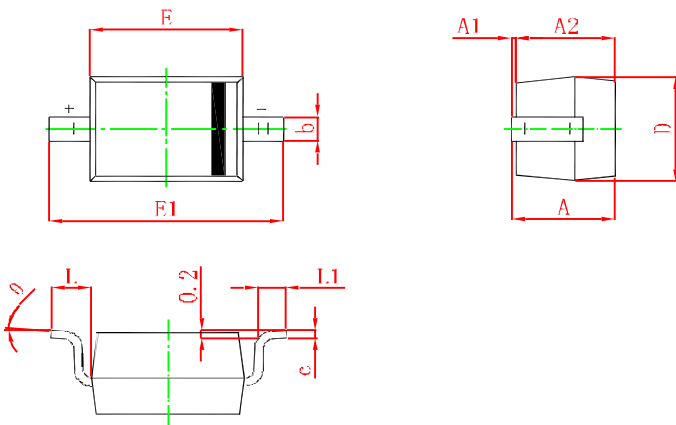
Symbols	Parameter	Test Condition	Limits		Unit
			Min	Max	
BV	Breakdown Voltage	$I_R=100\mu A$	100		V
		$I_R=5\mu A$	75		
IR	Reverse Leakage Current	$V_R=20V$	---	25	nA
		$V_R=75$	---	1	μA
VF	Forward Voltage	$I_F=1.0mA$	---	0.715	V
		$I_F=10mA$	---	0.855	
		$I_F=50mA$	---	1.00	
		$I_F=150mA$	---	1.25	
TRR	Reverse Recovery Time	$I_F= I_R=10mA$ $R_L=100\Omega$ $I_{RR}=0.1 \times I_R$	---	4	nS
CT	Capacitance	$V_R=0V, f=1MHz$	---	2	pF



■ Typical Characteristics



■ SOD-323 Package Outline Dimensions



Symbol	Min.(mm)	Max.(mm)
A		1.000
A1	0.000	0.100
A2	0.800	0.900
b	0.250	0.350
c	0.080	0.150
D	1.200	1.400
E	1.600	1.800
E1	2.500	2.700
L	0.475REF	
L1	0.250	0.400
θ	0°	8°

X-ON Electronics

Largest Supplier of Electrical and Electronic Components

Click to view similar products for [Diodes - General Purpose, Power, Switching category](#):

Click to view products by [DOWO manufacturer](#):

Other Similar products are found below :

[MMBD3004S-13-F](#) [1N3611](#) [NTE156A](#) [NTE6244](#) [1SS400CST2RA](#) [SDAA13](#) [SHN2D02FUTW1T1G](#) [1N4449](#) [1N456A](#) [1N914BTR](#)
[D291S45T](#) [BAS 16-02L E6327](#) [BAS 16-02V H6327](#) [BAS 21U E6327](#) [BAS 28 E6327](#) [BAW56DWQ-7-F](#) [BAW56M3T5G](#) [BAW75-TAP](#)
[MM230L-CAA](#) [IDW40E65D1](#) [JAN1N3600](#) [JAN1N4454UR-1](#) [SMMSD4148T3G](#) [BYW95B/A52A](#) [NSVDAN222T1G](#) [CDSZC01100-HF](#)
[BAV70HDW-7](#) [BAS28-7](#) [JANTX1N6640](#) [BAW56HDW-13](#) [BAS28 TR](#) [VS-HFA04SD60STR-M3](#) [1SS388-TP](#) [BAV99TQ-13-F](#)
[BAV99HDW-13](#) [1N4004](#) [MMDB30-E28X](#) [LS4148](#) [IDV15E65D2](#) [W0503RH200S0L](#) [W0503SH200S0L](#) [M0268SJ200NLF](#)
[M0268RJ200NLF](#) [S3MBF](#) [US1J](#) [DAN217U-TP](#) [SHV-06JNS-Q](#) [IDW30C65D1](#) [IDW80C65D1](#) [VS-HFA30TA60CSR-M3](#)