



■ Features

- Fast Switching Device (TRR <4.0 nS)
- Power Dissipation of 150mW
- High Stability and High Reliability
- Low reverse leakage

■ Applications

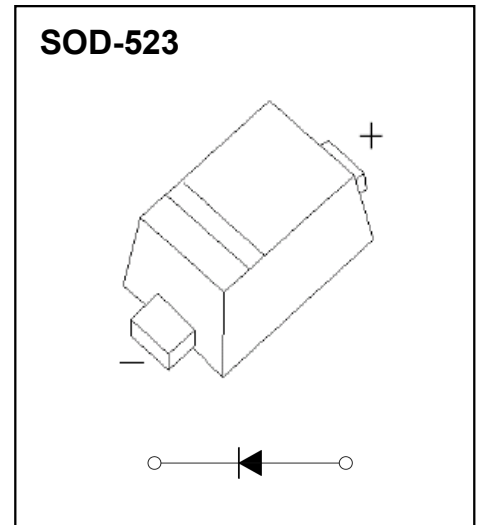
- For General Purpose Switching Applications

■ Mechanical Data

- package:SOD-523
- Polarity: Color band denotes cathode end
- Flammability rating of epoxy resin: UL 94V-0
- Mounting Position: Any.

■ Ordering Information

Part Number	Package	Marking	Packing	Quantity per reel	Reel Size
1N4148WT	SOD-523	T4	Tape & Reel	3,000 PCS	7 inches



Maximum Ratings & Thermal Characteristics(Ratings at 25 °C ambient temperature unless otherwise specified.)

Parameters	Symbol	Value	Unit
Reverse Voltage	V _R	75	V
Peak Reverse Voltage	V _{RM}	100	V
Power Dissipation	P _d	150	mW
Operating junction temperature	T _j	150	°C
Storage temperature range	T _s	-55-+150	°C
Thermal Resistance from Junction to Ambient	R _{θJA}	833	°C/W
Working Inverse Voltage	W _{IV}	75	V
Average Rectified Current	I _o	150	mA
Non-repetitive Peak Forward Current	I _{FM}	300	mA
Peak Forward Surge Current @tp=1us; TA=25°C	I _{FSM}	2.0	A

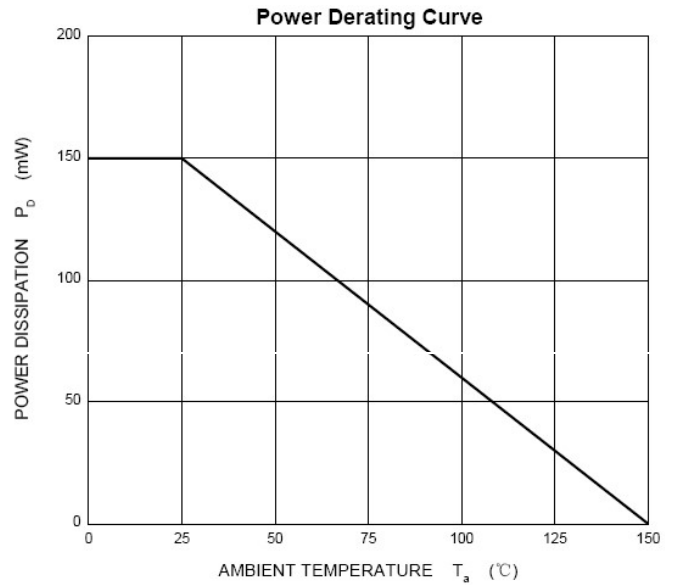
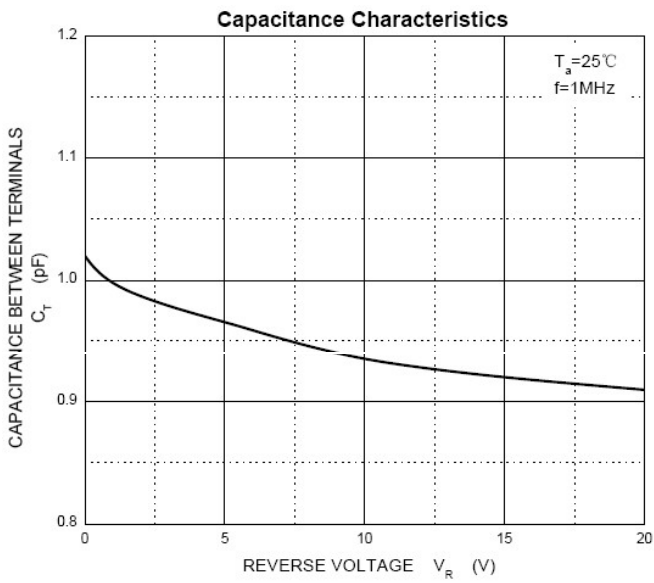
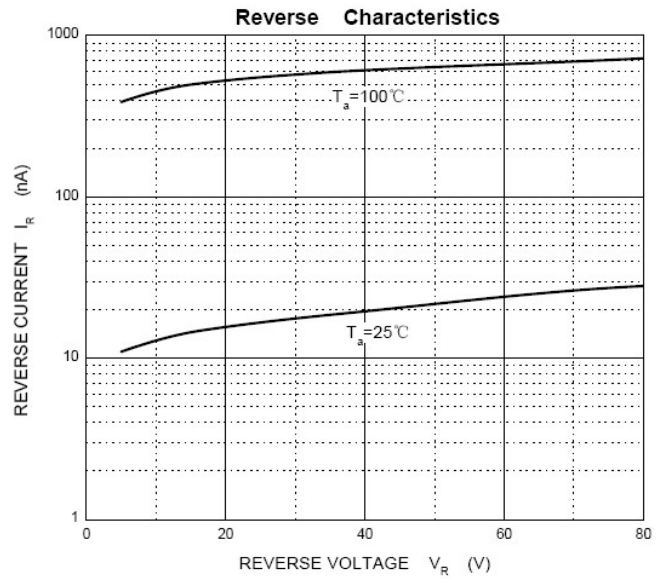
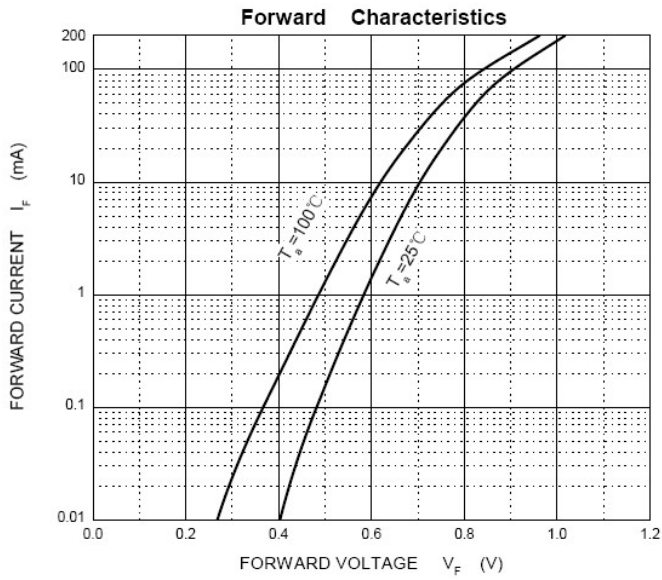
Valid provided that electrodes are kept at ambient temperature.

Electrical Characteristics(Ratings at 25 °C ambient temperature unless otherwise specified)

Symbols	Parameter	Test Condition	Limits		Unit
			Min	Max	
BV	Breakdown Voltage	IR=100uA	100		V
		IR=5uA	75		
IR	Reverse Leakage Current	VR=20V	---	25	nA
		VR=75	---	1	uA
VF	Forward Voltage	IF=1.0mA	---	0.715	V
		IF=10mA	---	0.855	
		IF=50mA	---	1.00	
		IF=150mA	---	1.25	
TRR	Reverse Recovery Time	IF= IR=10mA	---	4	nS
		RL=100Ω			
		IRR=0.1 X IR			
CT	Capacitance	VR=0V, f=1MHZ	---	2	pF

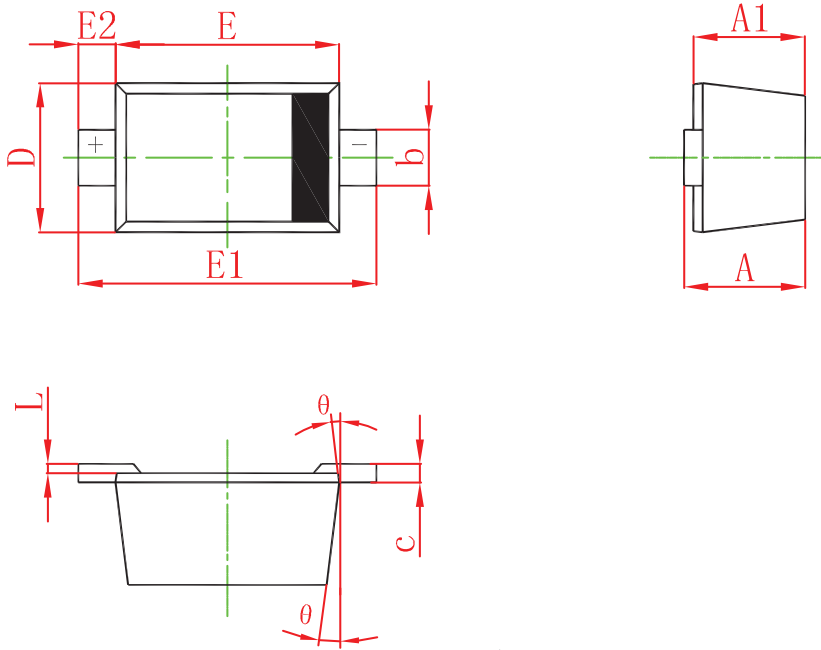


■ Typical Characteristics





■ SOD-523 Package Outline Dimensions



Symbol	Dimensions In Millimeters		Dimensions In Inches	
	Min	Max	Min	Max
A	0.510	0.770	0.020	0.031
A1	0.500	0.700	0.020	0.028
b	0.250	0.350	0.010	0.014
c	0.080	0.150	0.003	0.006
D	0.750	0.850	0.030	0.033
E	1.100	1.300	0.043	0.051
E1	1.500	1.700	0.059	0.067
E2	0.200 REF		0.008 REF	
L	0.010	0.070	0.001	0.003
θ	7° REF		7° REF	

X-ON Electronics

Largest Supplier of Electrical and Electronic Components

Click to view similar products for [Diodes - General Purpose, Power, Switching category](#):

Click to view products by [DOWO manufacturer](#):

Other Similar products are found below :

[MMBD3004S-13-F](#) [1N3611](#) [NTE156A](#) [NTE6244](#) [1SS400CST2RA](#) [SDAA13](#) [SHN2D02FUTW1T1G](#) [1N4449](#) [1N456A](#) [1N914BTR](#)
[D291S45T](#) [BAS 16-02L E6327](#) [BAS 16-02V H6327](#) [BAS 21U E6327](#) [BAS 28 E6327](#) [BAW56DWQ-7-F](#) [BAW75-TAP](#) [MM230L-CAA](#)
[IDW40E65D1](#) [JAN1N3600](#) [JAN1N4454UR-1](#) [SMMSD4148T3G](#) [BYW95B/A52A](#) [NSVDAN222T1G](#) [CDSZC01100-HF](#) [BAV70HDW-7](#)
[BAS28-7](#) [JANTX1N6640](#) [BAW56HDW-13](#) [BAS28 TR](#) [VS-HFA04SD60STR-M3](#) [1SS388-TP](#) [BAV99TQ-13-F](#) [BAV99HDW-13](#) [1N4004](#)
[MMDB30-E28X](#) [LS4148](#) [IDV15E65D2](#) [W0503RH200S0L](#) [W0503SH200S0L](#) [M0268SJ200NLF](#) [M0268RJ200NLF](#) [S3MBF](#) [US1J](#)
[DAN217U-TP](#) [SHV-06JNS-Q](#) [IDW30C65D1](#) [IDW80C65D1](#) [VS-HFA30TA60CSR-M3](#) [M1MA152WAT1](#)