

## ■ Features

- High Current Capability
- Low Forward Voltage Drop

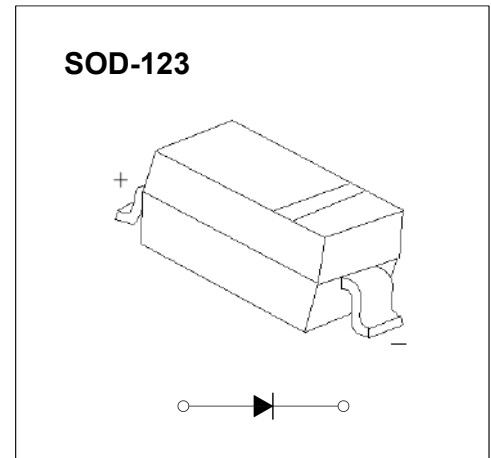
## ■ Applications

- For use in low voltage, high frequency inverters
- Free wheeling, and polarity protection applications

## ■ Mechanical Data

- package:SOD-123
- Polarity: Color band denotes cathode end
- Flammability rating of epoxy resin: UL 94V-0
- Mounting Position: Any.

## ■ Ordering Information



Part Number	Package	Marking	Packing	Quantity per reel	Reel Size
1N5817W	SOD-123	SJ	Tape & Reel	3,000 PCS	7 inches
1N5818W	SOD-123	SK	Tape & Reel	3,000 PCS	7 inches
1N5819W	SOD-123	SL	Tape & Reel	3,000 PCS	7 inches

## ■ Maximum Ratings & Thermal Characteristics(Ratings at 25°C ambient temperature unless otherwise specified.)

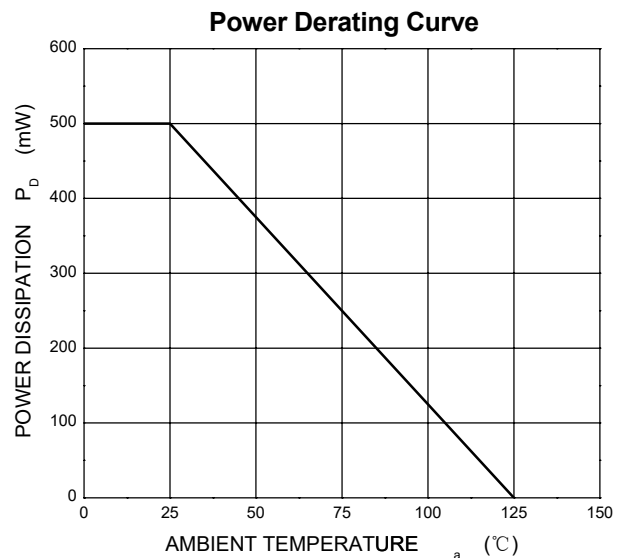
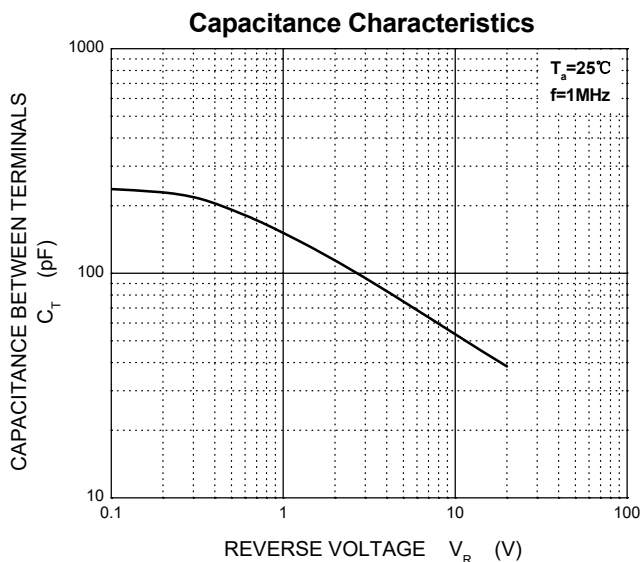
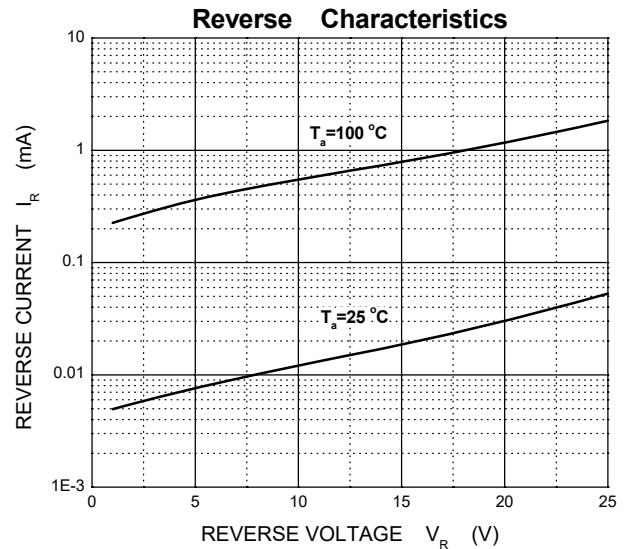
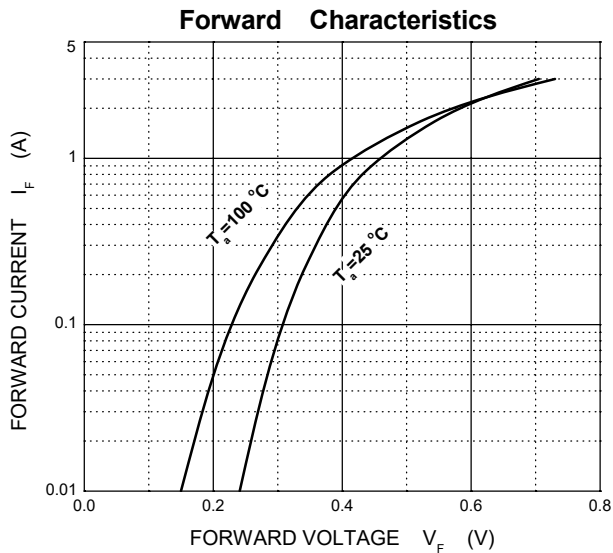
Parameters	Symbol	1N5817W	1N5818W	1N5819W	Unit
Maximum repetitive peak reverse voltage	VRRM	20	30	40	V
Maximum RMS voltage	VRMS	14	21	28	V
Maximum DC blocking voltage	VDC	20	30	40	V
Maximum average forward rectified current	IFM	1			A
Peak forward surge current 8.3ms single half sine-wave	IFSM	9			A
Power Dissipation	PD	500			mW
Typical thermal resistance	RθJA	250			°C/W
Operating junction temperature	Tj	125			°C
Storage temperature range	TSTG	-50-+150			°C



■ **Electrical Characteristics**(Ratings at 25°C ambient temperature unless otherwise specified)

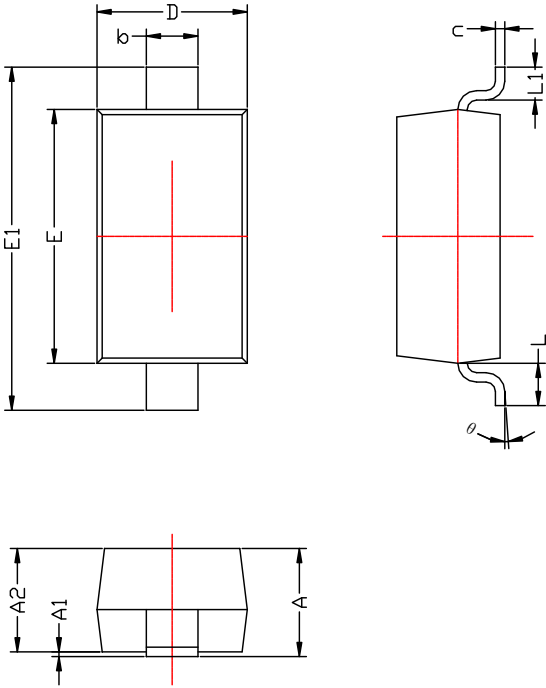
Parameters	Symbol	Test conditions	1N5817W	1N5818W	1N5819W	Unit
Maximum forward voltage	V <sub>F</sub>	I <sub>F</sub> = 1.0A	0.450	0.550	0.600	V
		I <sub>F</sub> = 3.0A	0.750	0.875	0.900	
Maximum reverse breakdown voltage	V <sub>R</sub>	I <sub>R</sub> =1mA	20	30	40	V
Maximum reverse current	I <sub>R</sub>	V <sub>R</sub> =20V 1N5817W V <sub>R</sub> =30V 1N5818W V <sub>R</sub> =40V 1N5819W	1.0			mA
Type junction capacitance	C <sub>j</sub>	V <sub>R</sub> = 4.0V, f = 1MHz	120			pF

■ **Typical Characteristics**





■ SOD-123 Package Outline Dimensions



Symbol	Dimensions	
	MIN	MAX
A	1.050	1.250
A1	0.000	0.100
A2	1.050	1.150
b	0.450	0.650
c	0.080	0.150
D	1.500	1.700
E	2.600	2.800
E1	3.550	3.850
L	0.500REF	
L1	0.250	0.450
θ	0°	8°

## X-ON Electronics

Largest Supplier of Electrical and Electronic Components

*Click to view similar products for [Schottky Diodes & Rectifiers](#) category:*

*Click to view products by [DOWO](#) manufacturer:*

Other Similar products are found below :

[MA4E2039](#) [MMBD301M3T5G](#) [HFA35HB60C](#) [RB160M-50TR](#) [D83C](#) [BAS16E6433HTMA1](#) [BAS 3010S-02LRH](#) [E6327](#) [BAT 54-02LRH](#)  
[E6327](#) [NRVBAF360T3G](#) [NSR05F40QNXT5G](#) [NTE555](#) [JANS1N6640](#) [SS3003CH-TL-E](#) [GA01SHT18](#) [CRS10I30A\(TE85L,QM](#)  
[MBRA140TRPBF](#) [MBRB30H30CT-1G](#) [BAT 15-04R](#) [E6152](#) [JANTX1N5712-1](#) [DMJ3940-000](#) [SB007-03C-TB-E](#) [NRVBB20100CTT4G](#)  
[NRVBM120LT1G](#) [NTSB30U100CT-1G](#) [CRG04\(T5L,TEMQ\)](#) [ACDBA1100LR-HF](#) [ACDBA1200-HF](#) [ACDBA240-HF](#) [ACDBA3100-HF](#)  
[CDBQC0530L-HF](#) [ACDBA260LR-HF](#) [ACDBA1100-HF](#) [10BQ015-M3/5BT](#) [NRVBM120ET1G](#) [VSSB410S-M3/5BT](#) [1N5819T-G](#)  
[PDS1040Q-13](#) [B160BQ-13-F](#) [SDM05U20CSP-7](#) [BAS 70-07](#) [E6433](#) [B140S1F-7](#) [HSM560Je3/TR13](#) [DDB2265-000](#) [ZHCS506QTA](#)  
[HSM190Je3/TR13](#) [B330AF-13](#) [ACDBUC0230-HF](#) [SDM1U100S1F-7](#) [MBR10200CTF-G1](#) [CDLL5712](#)