



**Features**

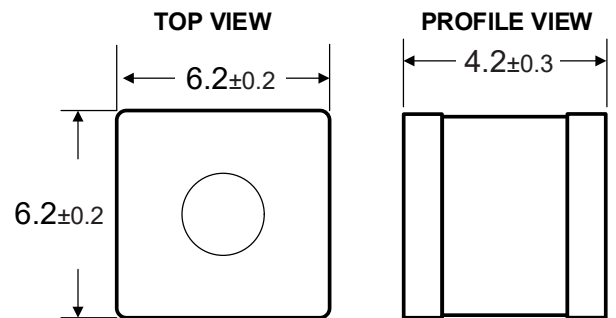
- 2-electrode arrester
- High insulation resistance
- Extremely fast response time
- Low capacitance ( $\leq 1\text{pF}$ )
- surge current 6KA 8/20us
- Storage and operating temperature:  
-40℃ ~ +85℃
- RoHS compliant
- Meets MSL level 1



**Applications**

- Repeaters, Modems
- Telephone Interface, Line cards
- Data communication equipment
- Line test equipment

**Dimensional drawing**



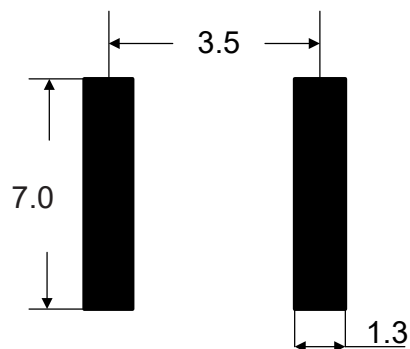
**PartNumber Code**

**2R090N-S6242**

- 2R:2-electrode arrester
- 090: DC Spark-over Voltage 90V
- M: Tolerance of DC Spark-Over Voltage  
M:20% N: 30%
- S:SMD
- 6242: Size: 6.2mm\*6.2mm\*4.2mm

**SOLDER PAD LAYOUT**

*Dimensions in mm*



**Electrical Characteristics**

Part Number	DC Spark-over Voltage	Max.Impulse Spark-over Voltage	Impulse Discharge Current (8/20us)		AC discharge Current 50Hz,1S	Impulse Life 10/1000us	Minimum Insulation Resistance		Max. Capacitance 1MHz
	100V/S	1KV /us	Nominal ±5times	Max 1 times	Nominal 5 times	100A	DC(V)	(GΩ)	(pF)
	%	V	KA	KA	A	Times			
2R075M-S6242	75V±20%	600	5	6	5	200	25	1	1
2R090M-S6242	90V±20%	600	5	6	5	200	50	1	1
2R150M-S6242	150V±20%	600	5	6	5	200	50	1	1
2R230M-S6242	230V±20%	700	5	6	5	200	100	1	1
2R300M-S6242	300V±20%	800	5	6	5	200	100	1	1
2R350M-S6242	350V±20%	850	5	6	5	200	250	1	1
2R400M-S6242	400V±20%	900	5	6	5	200	250	1	1
2R470M-S6242	470V±20%	90	5	6	5	200	250	1	1
2R600M-S6242	600V±20%	1000	5	6	5	200	250	1	1
2R800M-S6242	800V±20%	1400	5	6	5	200	250	1	1



### Electrical Ratings

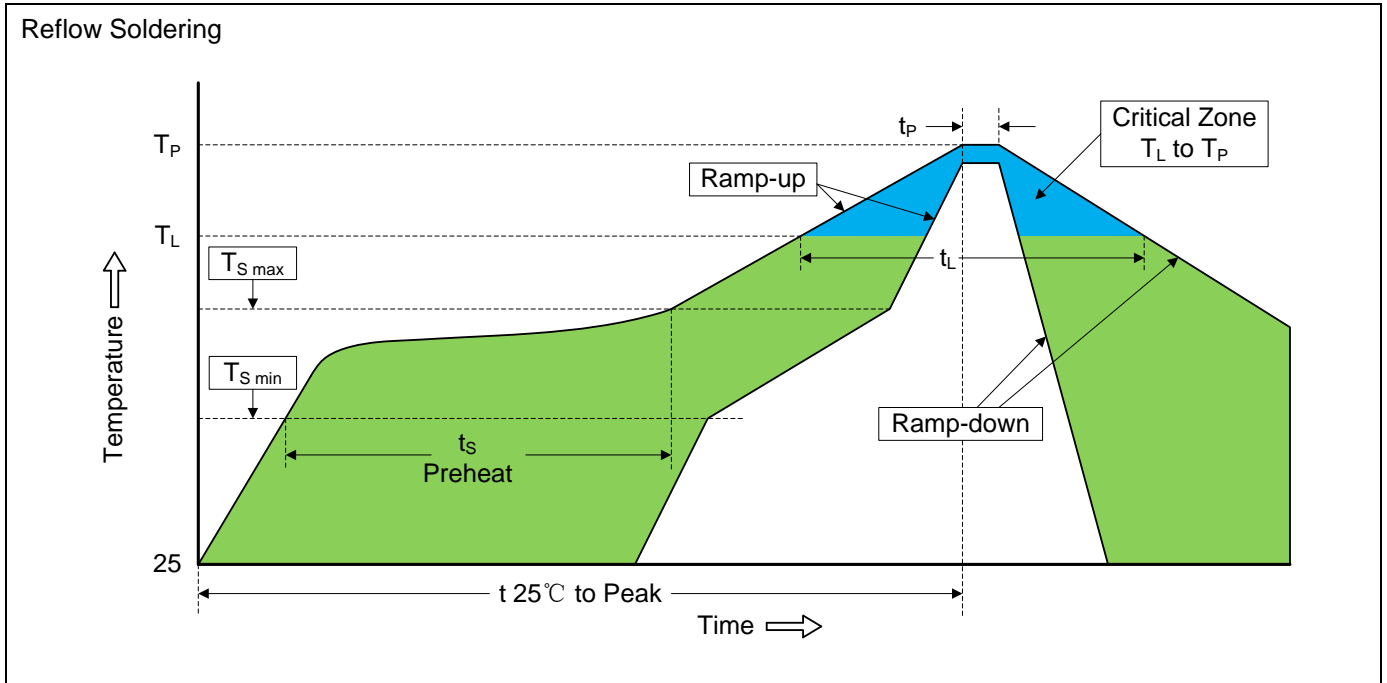
Items	Test Condition/Description	Requirement
DC Spark-over Voltage	The voltage is measured with voltage ramp $dv/dt=100V/s$ .	To meet the specified value
Maximum Impulse Spark-over Voltage	The maximum impulse spark-over voltage is measured with voltage ramp $dv/dt=1000V/\mu s$ .	
Insulation Resistance	The resistance of gas tube shall be measured between two electrodes.	
Capacitance	The capacitance of gas tube shall be measured between two electrodes. Test frequency: 1MHz	
Impulse Discharge Current	Maximum $8/20\mu s$ surge current that can be applied between two electrodes, 5 positive and 5 negative surges, with 3 minutes interval time, without causing the DC spark-over voltage to change more than 30% from its initial value.	
Impulse Withstanding Voltage	The maximum $10/700\mu s$ surge that can be applied to the Gas Tube, 5 positive and 5 negative surges, with 1 minute interval time, without causing the DC spark-over voltage to change more than 25% from its initial value.	

### Reliability

Items	Test conditions / Methods	Standard
Cold Resistance	Measurement after $-40^{\circ}C/1000$ HRS & normal temperature/2 HRS.	Features are conformed to rated spec.
Heat Resistance	Measurement after $125^{\circ}C/1000$ HRS & normal temperature/2 HRS.	
Humidity Resistance	Measurement after humidity $90\sim 95^{\circ}C(45^{\circ}C)/1000$ HRS & normal temperature/2 HRS.	
Temperature Cycle	10 times repetition of cycle $-40^{\circ}C/30min \rightarrow$ normal, temp/2 min $\rightarrow 125^{\circ}C/30min$ , measurement after normal temp/2 HRS.	
Solder Ability	Check for solder adhesion after $260\pm 5^{\circ}C$ for 3sec, The body immersion depth 1.5mm in molten solder	Evenly covered by solder.
Solder Heat	Measurement after $260\pm 5^{\circ}C$ solder for 10sec, The body immersion depth 1.5mm in molten solder	Conformed to rated spec.



Recommended Soldering Conditions

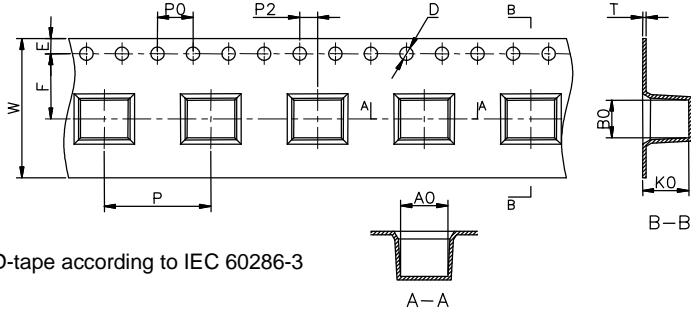
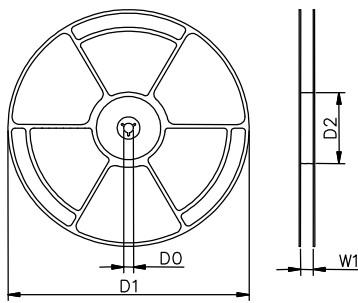


Recommended Conditions

Profile Feature	Pb-Free Assembly
Average ramp-up rate (T <sub>L</sub> to T <sub>P</sub> )	3°C/second max.
Preheat	
-Temperature Min (T <sub>S min</sub> )	150°C
-Temperature Max (T <sub>S max</sub> )	200°C
-Time (min to max) (t <sub>s</sub> )	60-180 seconds
T <sub>S max</sub> to T <sub>L</sub>	
-Ramp-up Rate	3°C/second max.
Time maintained above:	
-Temperature (T <sub>L</sub> )	217°C
-Time (t <sub>L</sub> )	60-150 seconds
Peak Temperature (T <sub>P</sub> )	260°C
Time within 5°C of actual Peak Temperature (t <sub>P</sub> )	20-40 seconds
Ramp-down Rate	6°C/second max.
Time 25°C to Peak Temperature	8 minutes max.



Packaging

Tape	Items	Dimension (mm)	
		Spec.	Tolerance
 <p>SMD-tape according to IEC 60286-3</p>	W	16.0	±0.30
	A0	4.60	±0.10
	B0	6.50	±0.10
	K0	6.70	±0.10
	P	12.0	±0.10
	F	7.50	±0.10
	E	1.75	±0.10
	D	1.50	±0.10
	P0	4.00	±0.10
	P2	2.00	±0.10
	T	0.50	±0.10
	D0	13.30	±0.15
	D1	330.0	±2.00
	D2	100.0	±2.00
	W1	16.50	±0.40
	Quantity: 800pcs		

## X-ON Electronics

Largest Supplier of Electrical and Electronic Components

*Click to view similar products for [Gas Discharge Tubes - GDTs / Gas Plasma Arrestors](#) category:*

*Click to view products by [DOWO](#) manufacturer:*

Other Similar products are found below :

[PMT1023004](#) [PMT1025001](#) [RF3161-000](#) [PMT1035004](#) [PMT1040004](#) [PMT809006](#) [CG2250](#) [CG2800](#) [CG31.5L](#) [GT-SMD181240012-TR](#)  
[WPGT-2N145B6L](#) [WPGT-2N230B6L](#) [WPGT-2N470B6L](#) [WPGT-2R470B6L](#) [WPGT-2RM230A6L](#) [WPGT-2RM350A6L](#) [WPGT-](#)  
[2RM70A6L](#) [WPGT-2RM90A6L](#) [WPGT-2S145](#) [WPGT-2S350](#) [WPGT-2S470](#) [WPGT-3R350CF](#) [WPGT-3R350G1](#) [WPGT-3R90G1](#) [WPGT-](#)  
[3R75G1](#) [WPGT-3R470G1](#) [WPGT-3R250C](#) [WPGT-3R230G1](#) [WPGT-2S230](#) [WPGT-2RM470A6L](#) [WPGT-2RM145A6L](#) [WPGT-2R3000B8L](#)  
[WPGT-2R2700B8L](#) [WPGT-2R1000B8L](#) [WPGT-2N90B6L](#) [WPGT-2N70B6L](#) [WPGT-2N350B6L](#) [WPGT-2N230B6L1](#) [CG90](#) [CG2230](#)  
[CG2145](#) [CG21000](#) [GT-SMD181215012-TR](#) [B88069X6940B152](#) [V20-1+NPE-280](#) [V20-3+NPE+FS-280](#) [SD09-V24 9](#) [C50-0-255](#)  
[SG24PA300](#) [A9L40500](#)