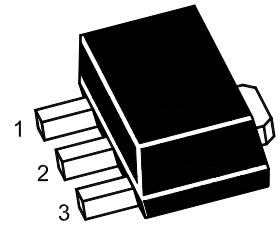


Features

- Input voltage: up to -30V
- Output voltage: -9V

SOT-89



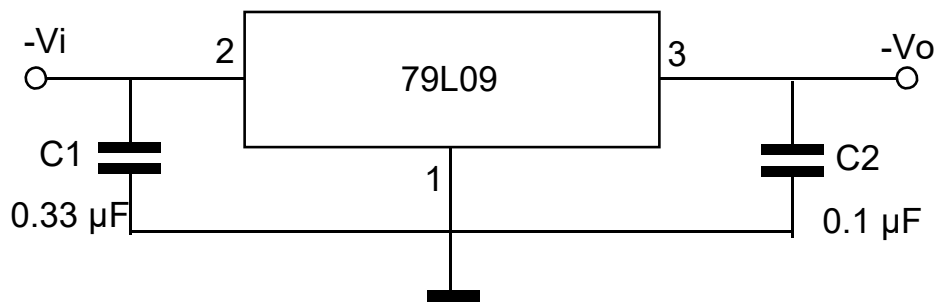
1. GND 2. VIN 3. VOUT

Marking Code : 79L09

Absolute Maximum Ratings

operating temperature range applies unless otherwise specified

Parameter	Symbol	Value	Unit
Input Voltage	$-V_I$	30	V
Junction Temperature	T_J	150	$^{\circ}\text{C}$
Operating Temperature Range	T_{OPR}	0 to +125	$^{\circ}\text{C}$
Storage Temperature Range	T_{STG}	-65 to +150	$^{\circ}\text{C}$



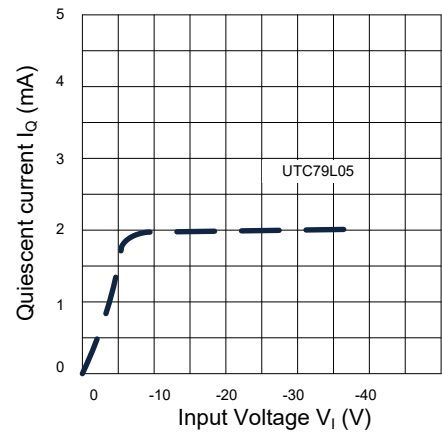
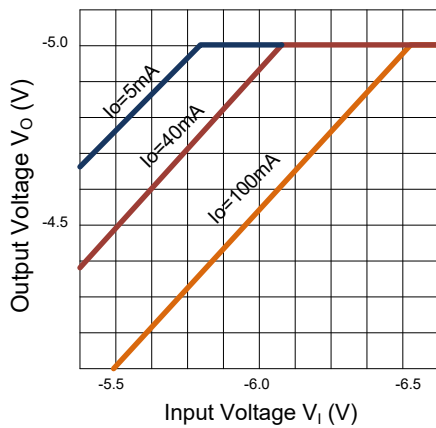
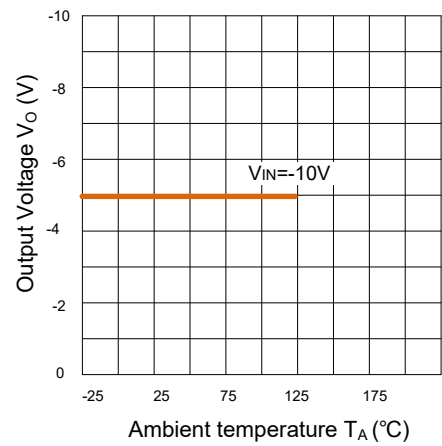
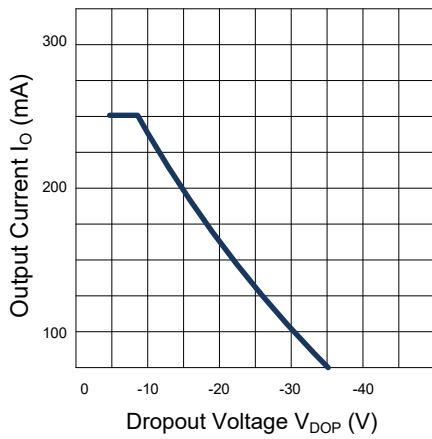
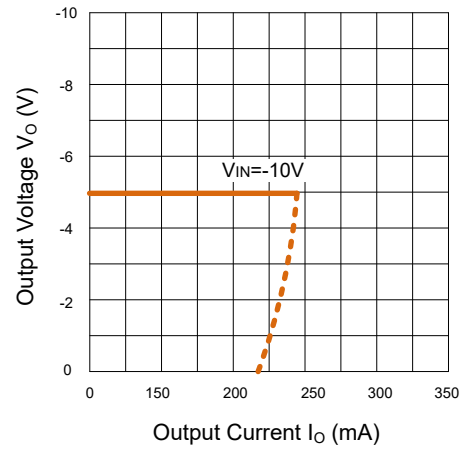
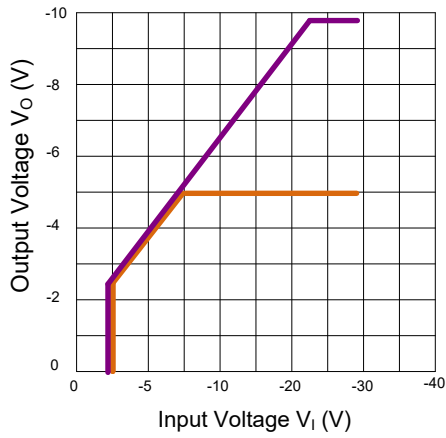
Electrical Characteristics

$T_J=25^{\circ}\text{C}$, $C_I=0.33\mu\text{F}$, $C_O=1.0\mu\text{F}$, unless otherwise specified.

Parameter	Symbol	Test Conditions	Min.	Typ.	Max.	Unit
Output Voltage	$-V_O$	$V_I=-15\text{V}, I_O=40\text{mA}$	8.64	9.0	9.36	V
Line Regulation	ΔV_O	$V_I=-12.5\sim-24\text{V}, I_O=40\text{mA}$	--	27	200	mV
Load Regulation	ΔV_O	$V_I=-15\text{V}, I_O=1\sim 100\text{mA}$	--	12	90	mV
Ripple Rejection	RR	$V_I=-12\text{V to }-22\text{V}$ $f=150\text{Hz}, I_O=40\text{mA}, e_{in}=1\text{Vp-p}$	38	67	--	dB
Quiescent Current	I_Q	$V_I=-15\text{V}, I_O=40\text{mA}$	--	2.0	6.0	mA
Output Noise Voltage	V_N	$V_I=-15\text{V}, I_O=40\text{mA}$ $10\text{Hz}\leq f\leq 100\text{KHz}$	--	210	--	μV



Typical Characteristic Curves

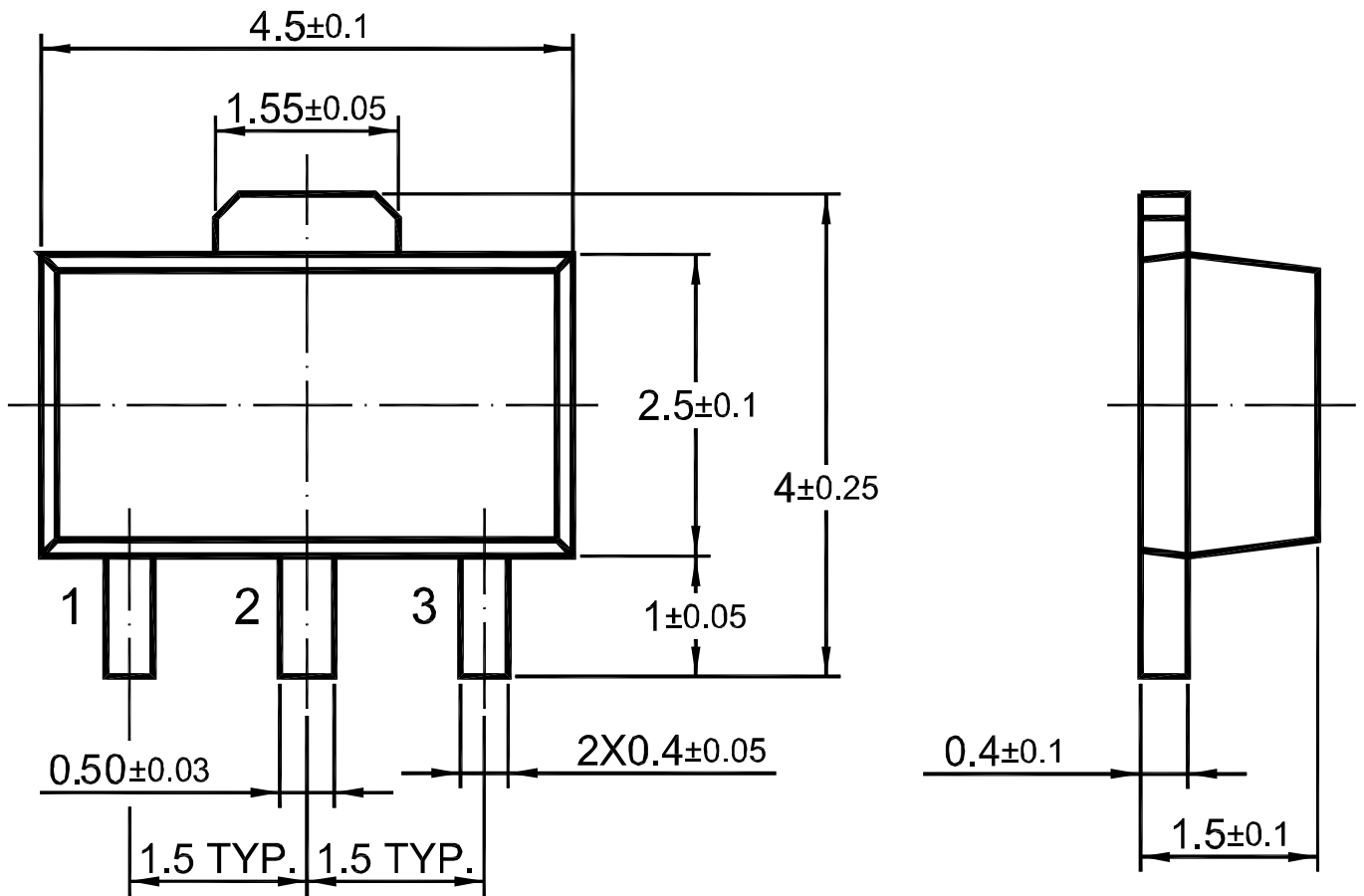




Package Outline

SOT-89

Dimensions in mm



Ordering Information

Device	Package	Shipping
79L09	SOT-89	1,000PCS/Reel&7inches
		3,000PCS/Reel&13inches

X-ON Electronics

Largest Supplier of Electrical and Electronic Components

Click to view similar products for [Linear Voltage Regulators](#) category:

Click to view products by [DOWO](#) manufacturer:

Other Similar products are found below :

[LV5684PVD-XH](#) [MCDTSA6-2R](#) [L7815ACV-DG](#) [LV56801P-E](#) [UA7805CKC](#) [714954EB](#) [ZMR500QFTA](#) [BA033LBSG2-TR](#)
[NCV78M05ABDTRKG](#) [LV5680P-E](#) [L79M05T-E](#) [L78LR05D-MA-E](#) [NCV317MBTG](#) [NTE7227](#) [MP2018GZD-33-P](#) [MP2018GZD-5-P](#)
[LV5680NPVC-XH](#) [ZTS6538SE](#) [UA78L09CLP](#) [UA78L09CLPR](#) [CAT6221-PPTD-GT3](#) [MC78M09CDTRK](#) [NCV51190MNTAG](#)
[BL1118CS8TR1833](#) [BL8077CKETR33](#) [BL9153-33CC3TR](#) [BL9161G-28BADRN](#) [BRCO7530MMC](#) [CJ7815B-TFN-ARG](#) [LM317C](#)
[GM7333K](#) [GM7350K](#) [XC6206P332MR](#) [HT7533](#) [LM7912S/TR](#) [LT1764S/TR](#) [LM7805T](#) [LM338T](#) [LM1117IMP-3.3/TR](#) [HT1117AM-3.3](#)
[HT7550S](#) [AMS1117-3.3](#) [HT7150S](#) [78L12](#) [HT7550](#) [HT7533-1](#) [HXY6206I-2.5](#) [HT7133](#) [HT7533S](#) [662K](#)