

■ Features

- High Current Capability
- Low Forward Voltage Drop

■ Applications

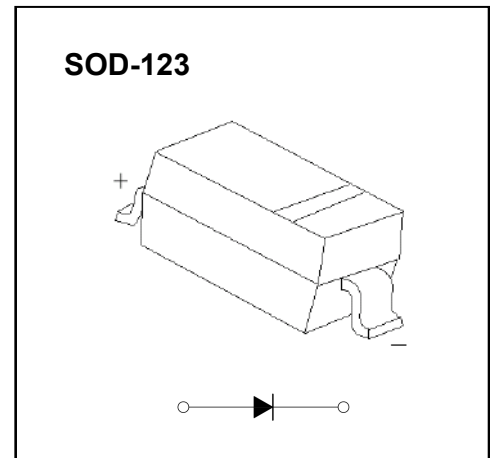
- For use in low voltage, high frequency inverters
- Free wheeling, and polarity protection applications

■ Mechanical Data

- package:SOD-123
- Polarity: Color band denotes cathode end
- Flammability rating of epoxy resin: UL 94V-0
- Mounting Position: Any.

■ Ordering Information

| Part Number | Package | Marking | Packing | Quantity per reel | Reel Size |
|-------------|---------|---------|-------------|-------------------|-----------|
| B5817W | SOD-123 | SJ | Tape & Reel | 3,000 PCS | 7 inches |
| B5818W | SOD-123 | SK | Tape & Reel | 3,000 PCS | 7 inches |
| B5819W | SOD-123 | SL | Tape & Reel | 3,000 PCS | 7 inches |



■ Maximum Ratings & Thermal Characteristics(Ratings at 25 °C ambient temperature unless otherwise specified.)

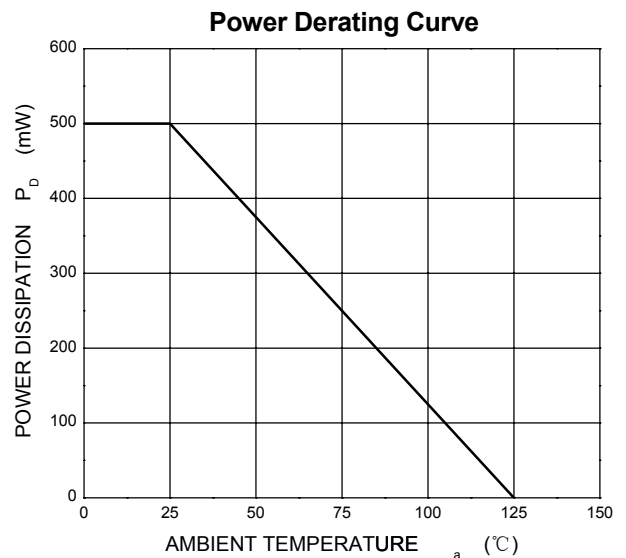
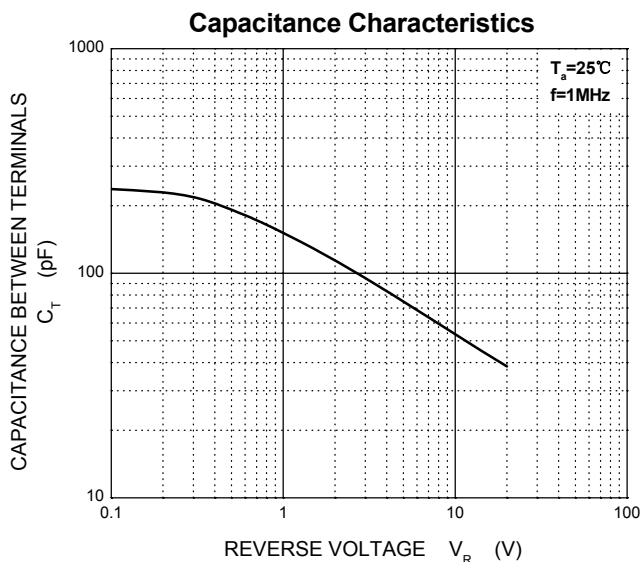
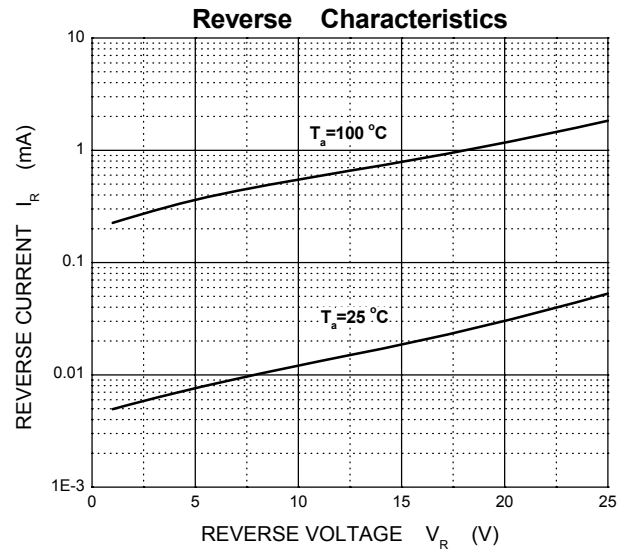
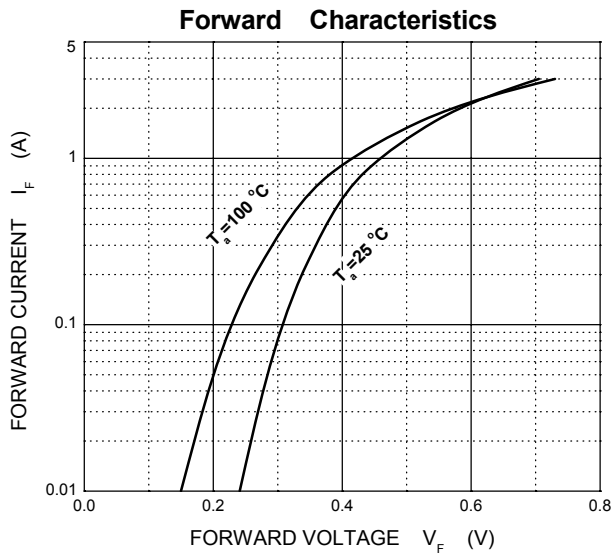
| Parameters | Symbol | B5817W | B5818W | B5819W | Unit |
|--|----------------|----------|--------|--------|------|
| Maximum repetitive peak reverse voltage | VRRM | 20 | 30 | 40 | V |
| Maximum RMS voltage | VRMS | 14 | 21 | 28 | V |
| Maximum DC blocking voltage | VDC | 20 | 30 | 40 | V |
| Maximum average forward rectified current | IFM | 1 | | | A |
| Peak forward surge current 8.3ms single half sine-wave | IFSM | 9 | | | A |
| Power Dissipation | PD | 500 | | | mW |
| Typical thermal resistance | R θ JA | 250 | | | °C/W |
| Operating junction temperature | T _j | 125 | | | °C |
| Storage temperature range | TSTG | -50-+150 | | | °C |



■ Electrical Characteristics(Ratings at 25°C ambient temperature unless otherwise specified)

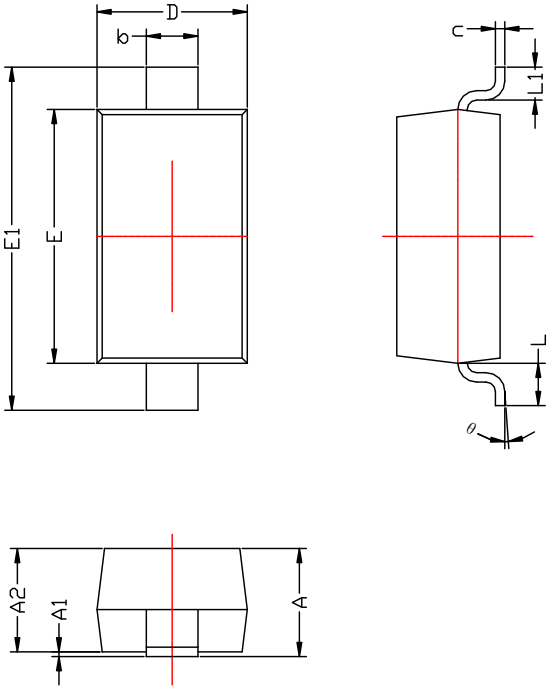
| Parameters | Symbol | Test conditions | B5817W | B5818W | B5819W | Unit |
|-----------------------------------|----------------|--|--------|--------|--------|------|
| Maximum forward voltage | V _F | I _F = 1.0A | 0.450 | 0.550 | 0.600 | V |
| | | I _F = 3.0A | 0.750 | 0.875 | 0.900 | |
| Maximum reverse breakdown voltage | V _R | I _R =1mA | 20 | 30 | 40 | V |
| Maximum reverse current | I _R | V _R =20V B5817W V _R =30V B5818W V _R =40V B5819W | 1.0 | | | mA |
| Type junction capacitance | C _j | V _R = 4.0V, f = 1MHz | 120 | | | pF |

■ Typical Characteristics





■ SOD-123 Package Outline Dimensions



| Symbol | Dimensions | |
|--------|------------|-------|
| | MIN | MAX |
| A | 1.050 | 1.250 |
| A1 | 0.000 | 0.100 |
| A2 | 1.050 | 1.150 |
| b | 0.450 | 0.650 |
| c | 0.080 | 0.150 |
| D | 1.500 | 1.700 |
| E | 2.600 | 2.800 |
| E1 | 3.550 | 3.850 |
| L | 0.500REF | |
| L1 | 0.250 | 0.450 |
| θ | 0° | 8° |

X-ON Electronics

Largest Supplier of Electrical and Electronic Components

Click to view similar products for [Schottky Diodes & Rectifiers](#) category:

Click to view products by [DOWO](#) manufacturer:

Other Similar products are found below :

[MA4E2039](#) [MMBD301M3T5G](#) [RB160M-50TR](#) [D83C](#) [BAS16E6433HTMA1](#) [BAS 3010S-02LRH E6327](#) [BAT 54-02LRH E6327](#)
[NRVBAF360T3G](#) [NSR05F40QNXT5G](#) [NTE555](#) [JANS1N6640](#) [SS3003CH-TL-E](#) [GA01SHT18](#) [CRS10I30A\(TE85L,QM](#) [MBRA140TRPBF](#)
[MBRB30H30CT-1G](#) [BAT 15-04R E6152](#) [JANTX1N5712-1](#) [DMJ3940-000](#) [SB007-03C-TB-E](#) [NRVBB20100CTT4G](#) [NRVBM120LT1G](#)
[NTSB30U100CT-1G](#) [CRG04\(T5L,TEMQ\)](#) [ACDBA1100LR-HF](#) [ACDBA1200-HF](#) [ACDBA240-HF](#) [ACDBA3100-HF](#) [CDBQC0530L-HF](#)
[ACDBA260LR-HF](#) [ACDBA1100-HF](#) [10BQ015-M3/5BT](#) [NRVBM120ET1G](#) [VSSB410S-M3/5BT](#) [1N5819T-G](#) [PDS1040Q-13](#) [B160BQ-13-F](#)
[SDM05U20CSP-7](#) [BAS 70-07 E6433](#) [B140S1F-7](#) [HSM560Je3/TR13](#) [DDB2265-000](#) [ZHCS506QTA](#) [HSM190Je3/TR13](#) [B330AF-13](#)
[ACDBUC0230-HF](#) [SDM1U100S1F-7](#) [MBR10200CTF-G1](#) [CDLL5712](#) [DMF2822-000](#)