

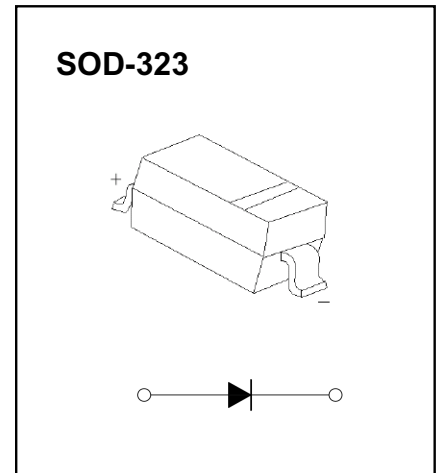
■ Features

- High Current Capability
- Low Forward Voltage Drop
- For use in low voltage, high frequency inverters
- Free wheeling, and polarity protection applications

■ Mechanical Data

- package:SOD-323
- Polarity: Color band denotes cathode end
- Mounting Position: Any

■ Ordering Information



Part Number	Package	Marking	Packing	Quantity per reel	Reel Size
B5817WS	SOD-323	SJ	Tape & Reel	3,000 PCS	7 inches
B5818WS	SOD-323	SK	Tape & Reel	3,000 PCS	7 inches
B5819WS	SOD-323	SL	Tape & Reel	3,000 PCS	7 inches

■ Maximum Ratings & Thermal Characteristics (Ratings at 25 °C ambient temperature unless otherwise specified.)

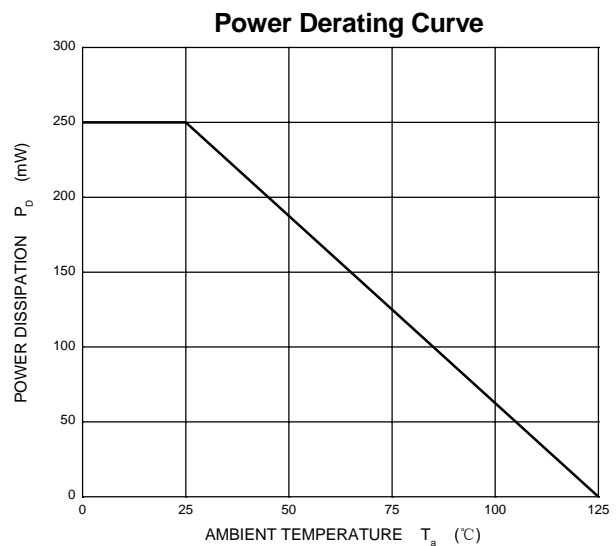
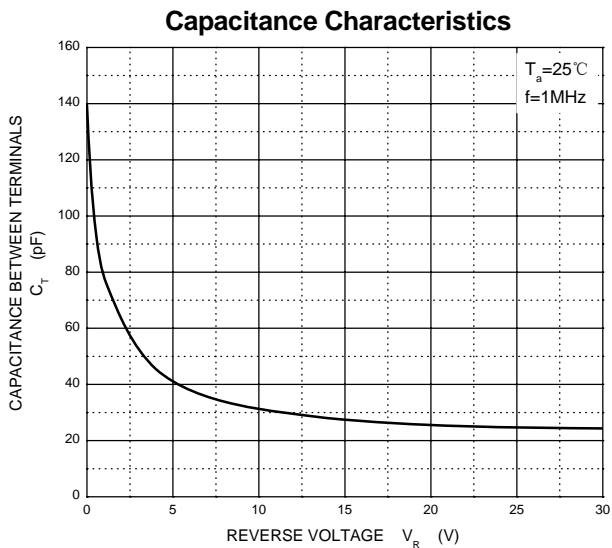
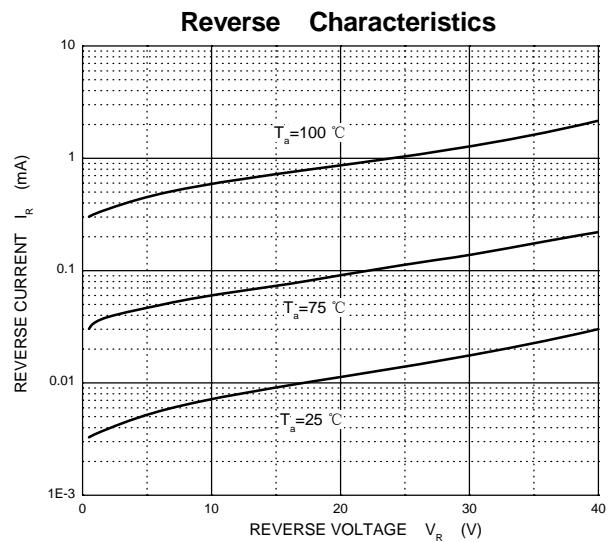
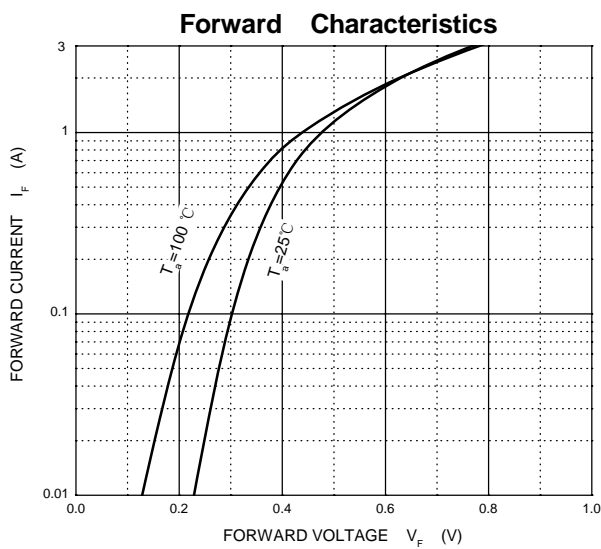
Parameters	Symbol	B5817WS	B5818WS	B5819WS	Unit
Maximum repetitive peak reverse voltage	VRRM	20	30	40	V
Maximum RMS voltage	VRMS	14	21	28	V
Maximum DC blocking voltage	VDC	20	30	40	V
Maximum average forward rectified current	IFM	1			A
Peak forward surge current 8.3ms single half sine-wave	IFSM	9			A
Power Dissipation	PD	400			mW
Typical thermal resistance	RθJA	250			°C/W
Operating junction temperature	Tj	125			°C
Storage temperature range	TSTG	-50-+150			°C



■ **Electrical Characteristics**(Ratings at 25°C ambient temperature unless otherwise specified)

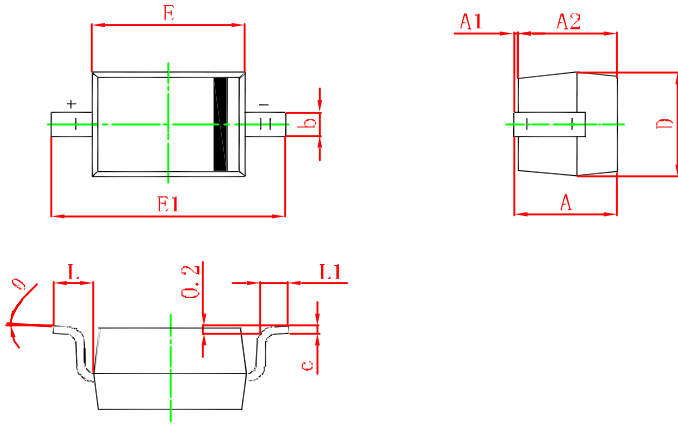
Parameters	Symbol	Test conditions	B5817WS	B5818WS	B5819WS	Unit
Maximum forward voltage	V _F	IF = 1.0A	0.450	0.550	0.600	V
		IF = 3.0A	0.750	0.875	0.900	
Maximum reverse breakdown voltage	VR	IR=1mA	20	30	40	V
Maximum reverse current	IR	VR=20V B5817WS VR=30V B5818WS VR=40V B5819WS	1.0			mA
Type junction capacitance	C _j	VR = 4.0V, f = 1MHz	120			pF

Typical Characteristics





■ SOD-323 Package Outline Dimensions



Symbol	Min	Max.(mm)
A		1.000
A1	0.000	0.100
A2	0.800	0.900
b	0.250	0.350
c	0.080	0.150
D	1.200	1.400
E	1.600	1.800
E1	2.500	2.700
L	0.475REF	
L1	0.250	0.400
θ	0°	8°

X-ON Electronics

Largest Supplier of Electrical and Electronic Components

Click to view similar products for [Schottky Diodes & Rectifiers](#) category:

Click to view products by [DOWO](#) manufacturer:

Other Similar products are found below :

[MA4E2039](#) [MMBD301M3T5G](#) [RB160M-50TR](#) [D83C](#) [BAS16E6433HTMA1](#) [BAS 3010S-02LRH E6327](#) [BAT 54-02LRH E6327](#)
[NRVBAF360T3G](#) [NSR05F40QNXT5G](#) [NTE555](#) [JANS1N6640](#) [SS3003CH-TL-E](#) [GA01SHT18](#) [CRS10I30A\(TE85L,QM](#) [MBRA140TRPBF](#)
[MBRB30H30CT-1G](#) [BAT 15-04R E6152](#) [JANTX1N5712-1](#) [DMJ3940-000](#) [SB007-03C-TB-E](#) [NRVBB20100CTT4G](#) [NRVBM120LT1G](#)
[NTSB30U100CT-1G](#) [CRG04\(T5L,TEMQ\)](#) [ACDBA1100LR-HF](#) [ACDBA1200-HF](#) [ACDBA240-HF](#) [ACDBA3100-HF](#) [CDBQC0530L-HF](#)
[ACDBA260LR-HF](#) [ACDBA1100-HF](#) [10BQ015-M3/5BT](#) [NRVBM120ET1G](#) [VSSB410S-M3/5BT](#) [1N5819T-G](#) [PDS1040Q-13](#) [B160BQ-13-F](#)
[SDM05U20CSP-7](#) [BAS 70-07 E6433](#) [B140S1F-7](#) [HSM560Je3/TR13](#) [DDB2265-000](#) [ZHCS506QTA](#) [HSM190Je3/TR13](#) [B330AF-13](#)
[ACDBUC0230-HF](#) [SDM1U100S1F-7](#) [MBR10200CTF-G1](#) [CDLL5712](#) [DMF2822-000](#)